

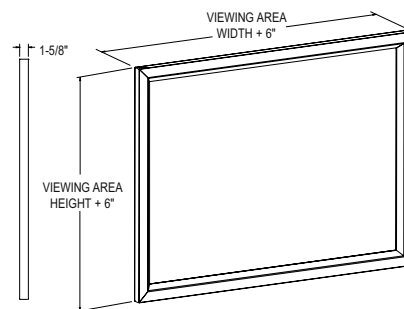
# CINEMA CONTOUR®

## Wall-Mounted Projection Screen

When ordering, make appropriate selections:

- Select size from charts at the lower right.
- Select viewing surface:
  - Da-Mat®
  - High Contrast Da-Mat®
  - Cinema Vision®
  - High Contrast Cinema Vision®
  - Pearlescent®
  - High Power®
  - Da-Tex® (Rear)
  - Dual Vision®
  - Audio Vision®
  - High Contrast Audio Vision®
  - High Contrast Cinema Perf®
  - GREENGUARD® and GREENGUARD® Children and Schools Certified.

- Options:
  - Black Textured Powder Coat Finish (Pro-Trim® standard).
  - Veneer Frame Finish (Choose from seven standard veneers).
    - Light Oak
    - Medium Oak
    - Natural Walnut
    - Heritage Walnut
    - Mahogany
    - Cherry
    - Honey Maple
  - T-Legs (must be ordered at the same time as screen).
  - Velcro® Attachment (snaps standard).



- Permanent wall-mounted screen.
- Available in front and rear projection.
- 3" wide x 1½" deep aluminum tube frame with tapered front edge.

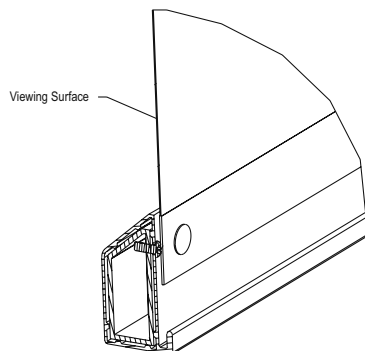
### SUGGESTED SPECIFICATIONS:

\_\_\_\_\_ projection screen(s), \_\_\_\_\_ (H) x \_\_\_\_\_ (W).

To have flexible screen surface, fire retardant and mildew resistant. Screen surface standard with reinforced black binding on all four sides and will attach to frame with metal snaps. Frame will conceal snaps and binding. Screen frame will be 3" wide x 1½" deep with a tapered front edge to reduce shadows on the viewing surface. Frame to be made of aluminum and finished with black Pro-Trim® fabric covering to enhance appearance and absorb light surrounding the viewing area. Frame will be slip-jointed at corners and joints. Standard wall-mounting brackets will be included.

All Da-Mat®, High Contrast Da-Mat®, Cinema Vision, High Contrast Cinema Vision, Pearlescent, Da-Tex®, and Dual Vision surfaces are seamless up to 16' high. Audio Vision, High Contrast Cinema Perf and High Contrast Audio Vision surfaces are available in sizes up to 8' high. High Power® surface is available in sizes up to 6' high. All viewing surfaces are standard with black backing except Da-Tex® and Dual Vision.

Detailed dimensional drawings and installation instructions available upon request. Specifications subject to change without notice.



### 4:3 VIDEO FORMAT DIMENSIONS

Viewing Area H x W	Nominal Diagonal Size	Overall Dimensions H x W	Approx. Shipping Wt. Lbs.
36" x 48"	60"	42" x 54"	24
43" x 57½"	72"	49" x 63½"	28
50½" x 67"	84"	56½" x 73"	31
57½" x 77"	96"	63½" x 83"	35
60" x 80"	100"	66" x 86"	37
72" x 96"	120"	78" x 102"	45
90" x 120"	150"	96" x 126"	59
108" x 144"	180"	114" x 150"	74
120" x 160"	200"	126" x 166"	89
144" x 192"	240"	150" x 198"	105

### 16:9 HDTV FORMAT DIMENSIONS

Viewing Area H x W	Nominal Diagonal Size	Overall Dimensions H x W	Approx. Shipping Wt. Lbs.
37½" x 67"	77"	43½" x 73"	29
40½" x 72"	82"	46½" x 78"	30
45" x 80"	92"	51" x 86"	34
49" x 87"	100"	55" x 93"	36
52" x 92"	106"	58" x 98"	40
54" x 96"	110"	60" x 102"	41
58" x 104"	119"	64" x 110"	44
65" x 116"	133"	71" x 122"	49
78" x 139"	159"	84" x 145"	56
94½" x 168"	193"	100½" x 174"	81
108" x 192"	220"	114" x 198"	96

### 16:10 WIDE FORMAT DIMENSIONS

Viewing Area H x W	Nominal Diagonal Size	Overall Dimensions H x W	Approx. Shipping Wt. Lbs.
50" x 80"	94"	56" x 86"	34
60" x 96"	113"	66" x 102"	41
69" x 110"	130"	75" x 116"	47
87" x 139"	164"	93" x 145"	56

### CINEMASCOPE FORMAT DIMENSIONS

Viewing Area H x W	Nominal Diagonal Size	Overall Dimensions H x W	Approx. Shipping Wt. Lbs.
37½" x 88"	96"	43½" x 94"	36
40½" x 95"	103"	46½" x 101"	41
45" x 106"	115"	51" x 112"	44
49" x 115"	125"	55" x 121"	49
52" x 122"	133"	58" x 128"	51
54" x 126"	138"	60" x 132"	53
58" x 136½"	148"	64" x 142½"	55
65" x 153"	166"	71" x 159"	62
78" x 183½"	199"	84" x 189½"	91
81½" x 192"	208"	87½" x 198"	96

Overall frame dimensions ±¼".

Note: Custom formats and sizes available upon request.