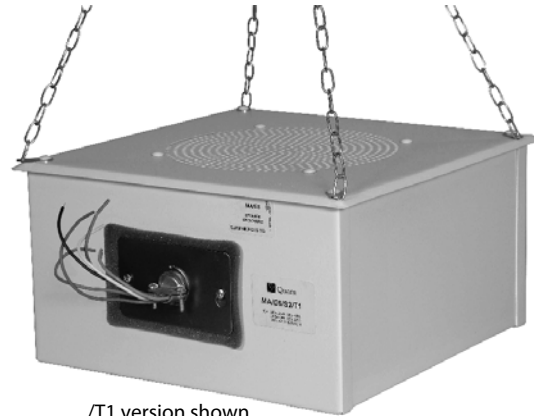
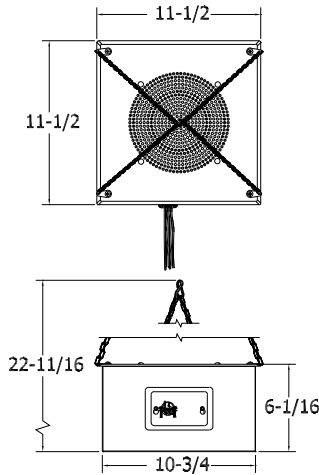




MA/E6/S2/T1
 'Quiet Steel'® Sound Masking Assembly
 70V, Color Coded Leads
MA/E6/S2/T8
 'Quiet Steel'® Sound Masking Assembly
 70V, Rotary Select

SOUND MASKING LOUSPEAKER ASSEMBLY



/T1 version shown

GENERAL DESCRIPTION

The MA/E6/S2/T1 and MA/E6/S2/T8 are each a complete sound masking loudspeaker assembly with a 8" O.D. loudspeaker with concentric mount hard fiber HF cone, multiple transformer options, dust-proof perforated 22 gage steel baffle, bi-metal composite 'QuietSteel'® enclosure and suspension chain. Finish: White baked epoxy hybrid.

SYSTEM COMPONENTS

Loudspeaker	8C10PAX
Transformer- /T1	70V 4W-5 tap Color code select (4W, 2W, 1W, 0.5W, 0.25W)
Transformer- /T8	70V 4W-5 tap Rotary select (4W, 2W, 1W, 0.5W, 0.25W)

RECOMMENDED QUAM SYSTEM COMPONENT

QC101M	1-gang, 100W, attenuator, 10-steps, 1.5 dB per
QC101M/RM	Rack mount version, specifications as above

AUDIO SPECIFICATIONS

Average Sensitivity	95 dB-SPL 1W/1M
Loudspeaker Power Rating	20W RMS EIA 426A Standard
Calculated Maximum System Output	101 dB-SPL 4W/1M
Magnet Type, Weight	BeFe Ceramic, 10 oz.
Frequency Response	60 Hz - 17 kHz EIA 426A Standard
Nominal Coverage Angle	90° included angle -6 dB/ 2 kHz, half space
Audio Connection	Pre-cut 7" color coded leads
Mechanical Connection	Light steel chain, 4'-0" long, supplied

INTENDED USE

Suspended by supplied chain mounting hardware between the structural deck and suspended ceiling deck in the following orientations: upwards, downwards or sideways; indoor environment.

Program Material:
 Primary use: Equalized random noise
 Secondary use: Signal tones or equalized voice

City of Chicago * Approved: Material and construction permits use where ceiling plenum is part of the air handling system.

Recommended construction sequences, installation instructions and A&E Specifications are available in various formats in the QUAM Architects' and Engineers' Resources section on the web at: www.QuamSpeakers.com

QUAM-NICHOLS COMPANY

234 East Marquette Road, Chicago IL 60637
 Phone: (800) NEED NOW Fax: (888) NEED NOW
 (800) 633-3669 (888) 633-3669
 E-Mail: NeedNow@QNC.com www.QuamSpeakers.com

