

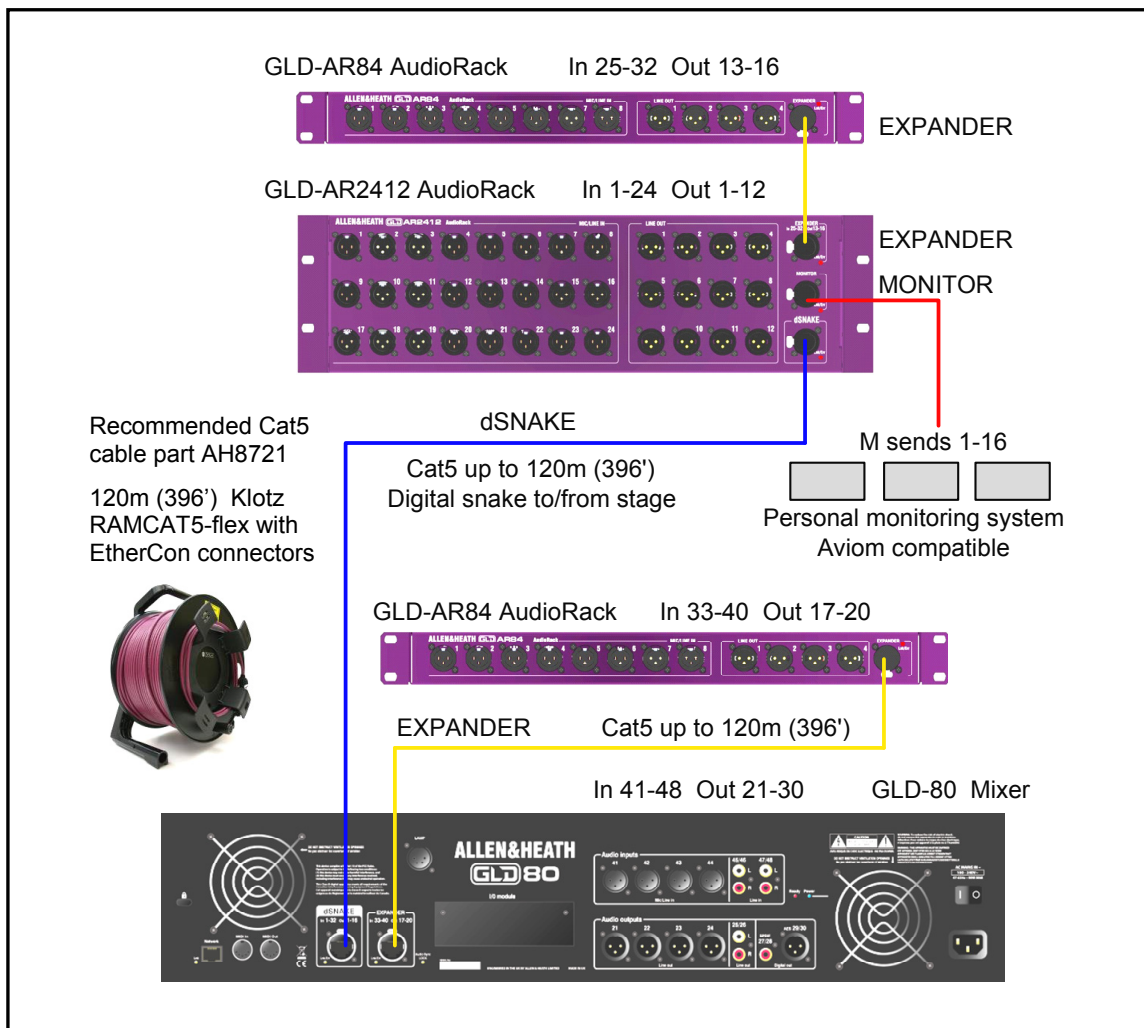
GLD-AR2412 Main AudioRack

The **GLD-AR2412** is the main audio interface rack for the Allen & Heath GLD digital mixing system. It provides 24 remote controlled mic/line preamps and 12 XLR line outputs. It connects to the GLD-80 mixer over a single Cat5 cable using the Allen & Heath dSNAKE protocol. A GLD-AR84 AudioRack can be connected to the AR2412 to expand the number of inputs to 32 and number of outputs to 16.

The AR2412 is simply an audio interface. It cannot be used by itself. It must connect to the GLD-80 mixer which is where the audio is processed. The diagram below shows the fully expanded GLD system.

- The AR2412 is not compatible with Allen & Heath iLive Series components or ACE connection.

Refer to the GLD-80 User Guide AP8561 for instructions on connecting and using the AR2412 with the GLD system. Refer to the Allen & Heath web site for more information on GLD and suitable Cat5 cable.



GLD-AR2412 Panel Layout



① Input sockets 24 balanced XLR inputs for microphone and line level sources. The preamps are built into the AR2412 rack and their Gain, Pad and 48V phantom power is remote controlled from the GLD console via the dSNAKE link. The output of the analogue preamps are converted to digital format and transported via dSNAKE to be processed and mixed at the GLD-80 mixer.

The sockets are numbered 1-24. Any input can be patched to any channel at the console. The default is one-to-one mapping of the input sockets 1-24 to channels 1-24.

② Output sockets 12 balanced XLR outputs operating at nominal +4dBu line level. Any GLD signal can be patched to any socket using the console I/O screen. The default Template Shows provide a logical mapping of these sockets to get you started.

③ EXPANDER port Cat5 cable link to connect a GLD-AR84 expander rack to add a further 8 mic/line inputs and 4 XLR line outputs. The GLD system numbers these sockets as Inputs 25-32 and Outputs 13-16.

④ MONITOR port Cat5 cable link to connect to a personal monitor system. The port is compatible with the Aviom™ A-16 system.

⑤ dSNAKE port Cat5 cable link to connect the AR2412 rack to the GLD-80 mixer. This carries the 32 inputs, 16 outputs and the monitor port sends audio to and from the rack as well as control for the preamps and system status.

Maximum Cat5 cable length is 120m (396') depending on cable type.

- Note that dSNAKE is not compatible with the iLive ACE connection.



⑥ Fan A low noise fan ensures air movement through the rack to keep the circuits within operating temperature range.

- Ensure good ventilation at the back of the rack. Read the safety instructions printed on the panel and the Safety Sheet packed with the unit.

⑦ Mains power input IEC connector, fuse and power ON/OFF push switch for the built-in universal voltage power supply unit. This accepts worldwide voltages from 100 to 240V AC 50/60Hz. Check that you have received the correct mains lead for your territory.

Secure the cable in place using the plastic P-clip. Use a T20 Torx screwdriver to refit the screw.