

DA-SNAP

Wall-Mounted Projection Screen

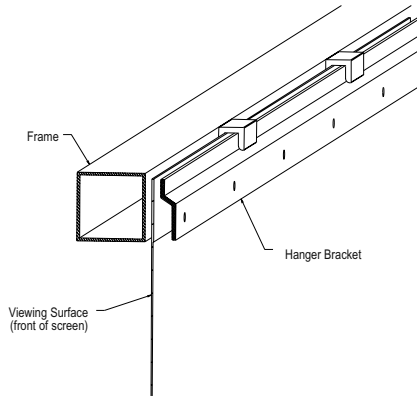
When ordering, make appropriate selections:

- Select size from charts at the lower right.
- Select viewing surface:
 - Da-Mat
 - High Contrast Da-Mat
 - Cinema Vision
 - High Contrast Cinema Vision
 - Pearlescent
 - High Power
 - Audio Vision
 - High Contrast Audio Vision
 - High Contrast Cinema Perf
 - Da-Tex (Rear)
 - Dual Vision
 - GREENGUARD and GREENGUARD Children and Schools Certified.

- Options:
 - T-Legs (must be ordered at the same time as screen).
 - Velcro Attachment (snaps standard).
 - Pro-Trim: Pro-Trim is a fabric covering that aesthetically enhances the appearance of the installation. Pro-Trim provides a stylish masked border while absorbing the light that surrounds the viewing area.
 - Wrap-Around fabric.
 - Pro Imager Masking System (Refer to the Pro Imager specification data sheet for size availability and more details).



- High quality fixed frame screen.
- Front or rear projection.
- 1½" square aluminum tube frame.



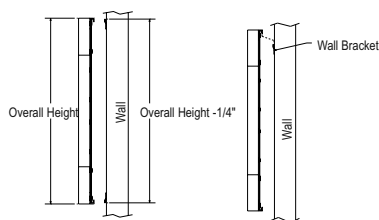
SUGGESTED SPECIFICATIONS:

_____ projection screen(s), _____ (H) x _____ (W).
 To have flexible screen surface, fire retardant and mildew resistant. Screen surface standard with reinforced black binding on all four sides and will attach to frame with metal snaps. Frame will conceal snaps and binding. Screen frame will be 1½" square matte black powder coated aluminum. Walls will be ribbed for strength and light weight. Frame will be slip-jointed at corners and joints. Standard wall-mounting brackets will be included.

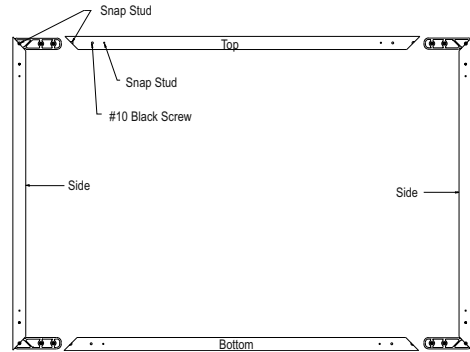
All Da-Mat, High Contrast Da-Mat, Cinema Vision, High Contrast Cinema Vision, Pearlescent, Da-Tex and Dual Vision surfaces are seamless up to 16' high.
 Audio Vision, High Contrast Audio Vision and High Contrast Cinema Perf surfaces are available in sizes up to 8' high.
 High Power surface is available in sizes up to 6' high.
All viewing surfaces are standard with black backing except Da-Tex and Dual Vision.

Detailed dimensional drawings and installation instructions available upon request. Specifications subject to change without notice.

Da-Snap Wall Mount



Da-Snap Shown From Back Side



4:3 VIDEO FORMAT DIMENSIONS

Viewing Area H x W	Nominal Diagonal Size	Overall Dimensions H x W	Approx. Shipping Wt. Lbs.
36" x 48"	60"	39" x 51"	20
43" x 57½"	72"	46" x 60½"	23
50½" x 67"	84"	53½" x 70"	26
57½" x 77"	96"	60½" x 80"	28
60" x 80"	100"	63" x 83"	31
72" x 96"	120"	75" x 99"	38
90" x 120"	150"	93" x 123"	48
108" x 144"	180"	111" x 147"	63
120" x 160"	200"	123" x 163"	75
144" x 192"	240"	147" x 195"	90

16:9 HDTV FORMAT DIMENSIONS

Viewing Area H x W	Nominal Diagonal Size	Overall Dimensions H x W	Approx. Shipping Wt. Lbs.
37½" x 67"	77"	40½" x 70"	24
40½" x 72"	82"	43½" x 75"	26
45" x 80"	92"	48" x 83"	28
49" x 87"	100"	52" x 90"	30
52" x 92"	106"	55" x 95"	32
54" x 96"	110"	57" x 99"	33
58" x 104"	119"	61" x 107"	36
65" x 116"	133"	68" x 119"	37
78" x 139"	159"	81" x 142"	50
94½" x 168"	193"	97½" x 171"	75
108" x 192"	220"	111" x 195"	90

16:10 WIDE FORMAT DIMENSIONS

Viewing Area H x W	Nominal Diagonal Size	Overall Dimensions H x W	Approx. Shipping Wt. Lbs.
50" x 80"	94"	53" x 83"	28
60" x 96"	113"	63" x 99"	33
69" x 110"	130"	72" x 113"	37
87" x 139"	164"	90" x 142"	50

CINEMASCOPE FORMAT DIMENSIONS

Viewing Area H x W	Nominal Diagonal Size	Overall Dimensions H x W	Approx. Shipping Wt. Lbs.
37½" x 88"	96"	40½" x 91"	30
40½" x 95"	103"	43½" x 98"	33
45" x 106"	115"	48" x 109"	36
49" x 115"	125"	52" x 118"	37
52" x 122"	133"	55" x 125"	42
54" x 126"	138"	57" x 129"	47
58" x 136½"	148"	61" x 139½"	49
65" x 153"	166"	68" x 156"	56
78" x 183½"	199"	81" x 186½"	85
81½" x 192"	208"	84½" x 195"	90

Overall frame dimensions ±¼".

Note: Custom formats and sizes available upon request.