

The LG EzSign TV LED Commercial Widescreen

- ▶ **60LN549E**
60" class (59.58" measured diagonally)
- ▶ **55LN549E**
55" class (54.6" measured diagonally)
- ▶ **47LN549E**
47" class (46.9" measured diagonally)
- ▶ **42LN549E**
42" class (41.9" measured diagonally)
- ▶ **39LN549E**
39" class (38.5" measured diagonally)
- ▶ **32LN549E**
32" class (31.5" measured diagonally)



Digital Signage + Television : Billboard TV

The LG EzSign TV is the world's first TV that comes with a signage function. Run messages on the TV screen in the form of a billboard without additional hardware. Advertisements, information and broadcast content can be arranged on the same screen to attract attention and deliver specific messaging to your customer base.

- COST EFFECTIVE**
No need to buy a media player - Create your own signage content by using your PC and the free EzSign TV software. Transfer that content by using a USB flash drive and plug it in to the EzSign TV to run it.
- CUSTOMIZED TO YOUR NEEDS**
Signage content can be customized for your business - The LG EzSign TV allows you to create your own signage content and make revisions on the fly.
- FAST AND EASY**
Edit content quickly and easily - Select one of the pre-made templates. Add your images and text to it. It's that simple.
- VARIETY**
Choose from a broad range of template designs - The LG EzSign TV gives you the power to choose and change according to your needs.

LG EzSign TV Free Software v3.0

CREATE CONTENT IN JUST 4 EASY STEPS



Choose from a wide array of pre-installed templates.



Add text and drag and drop image files into the content boxes.



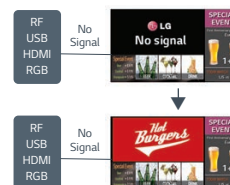
Schedule events, make playlists.



Export your content to the TV via USB or wirelessly.

FAIL OVER

An image without a signal can be replaced with a customized image.



INSTANT MESSAGE

Pop-Up messages can be added for adding special promotions or breaking news.



CONTROL TV

Users can control several TVs through Wi-Fi.



The Best Award Winner (two consecutive years) from the Commercial Integrator magazine for digital signage hardware and the product of the year from CRN, the LG EzSign TV is an innovation in digital signage that can entertain while maximizing the impact of your message.

Optimized Features for Commercial Use

FOR EFFICIENT MANAGEMENT



PUBLIC DISPLAY MODE

From channel selection to energy-saving features, Public Display Mode allows you to control the TV settings in your business area prevent misuse by customers, set volume limits, or restore factory defaults on any TV. You are in control of it all.



USB CLONING

The USB Cloning feature allows you to simply copy the TV settings onto all TVs using a USB stick, a process that is fully automated to save time without having to set each TV one by one.



WELCOME SCREEN

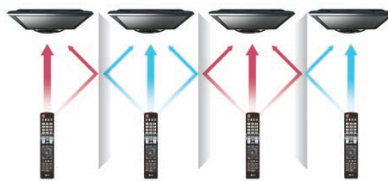
Welcome visitors with a warm greeting message that includes your business name and logo.



MULTI IR

Multi IR function eliminates the remote control signal interference between TVs in multiple dwelling rooms. This system will work using the same LG TV model.

(Optional 124-213-10 required)



RS232C CONTROL

Via the TV's RS-232C port, you can remotely control multiple TVs' power and volume settings simultaneously.



FOR CONVENIENCE & ENTERTAINMENT



EXTERNAL SPEAKER OUT

Enhance the entertainment experience by adding an additional speaker, visitors to listen to and control the TV audio from anywhere in your business area, including restrooms.



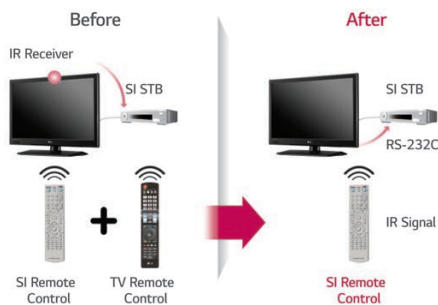
REMOTE JACK PACK

The plug and play function with compatible Remote Jack Pack enables guests to view media from their portable devices on the TV screen seamlessly.



IR OUT

IR Out enables customized set-top boxes to receive IR signals via LG TV Signage. This added convenience requires only simple connections and allows easy management using a single remote control.



USB 2.0

You can play images and videos from and record TV programs to external storage devices. Immediate recording and reserved recording options are available.





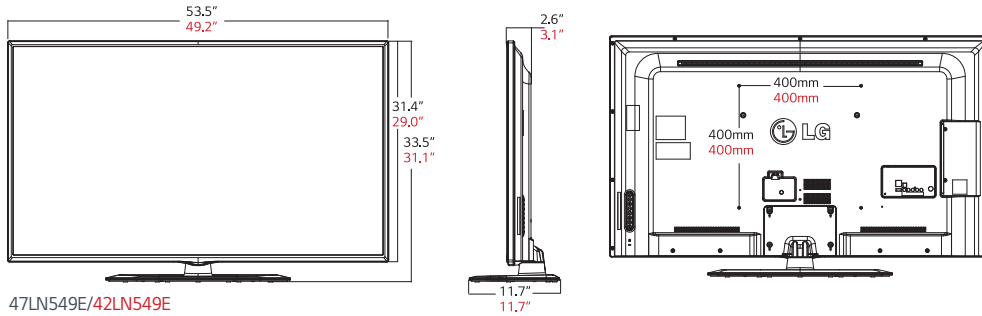
when it's green.

LG is committed to improving product development, manufacturing and usage to meet the demand for products with environmentally friendlier features. Our televisions have technologies to reduce power consumption and in return increase cost savings per room.

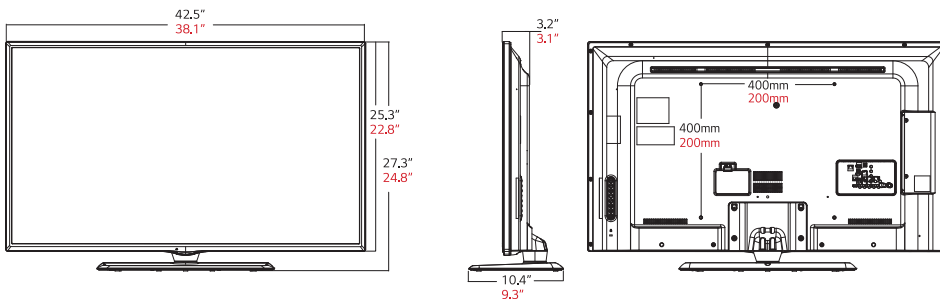
EcoSmart

- **Energy Saving Levels** - Manually select your choice for the brightness level for the television.
- **CEC Compliant** - Meets the Appliance Efficiency Regulations of the California Energy Commission.
- **RoHS Compliant** - Meets directive on restriction of hazardous substances.
- **Energy Star 6.0 Qualified** - Meets current reduction requirements of energy consumption.

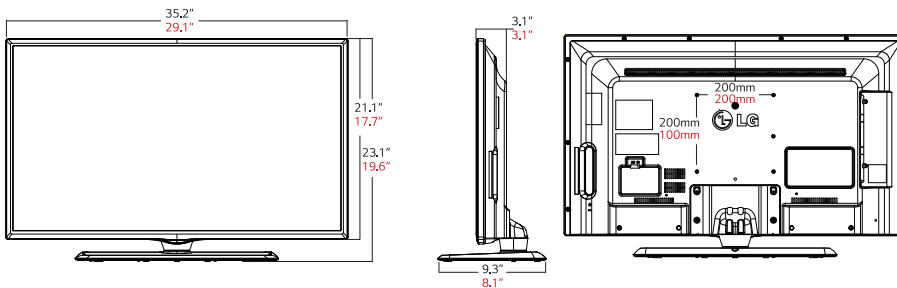
60LN549E/55LN549E



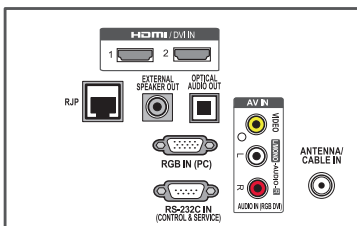
47LN549E/42LN549E



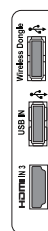
39LN549E/32LN549E



Rear Jack Panel



Side Jack Panel



The LG EzSign TV LED Commercial Widescreen



▶ **60LN549E**

60" class (59.58" measured diagonally)

▶ **55LN549E**

55" class (54.6" measured diagonally)

▶ **47LN549E**

47" class (46.9" measured diagonally)

▶ **42LN549E**

42" class (41.9" measured diagonally)

▶ **39LN549E**

39" class (38.5" measured diagonally)

▶ **32LN549E**

32" class (31.5" measured diagonally)

PANEL	Model	60LN549E	55LN549E	47LN549E	42LN549E	39LN549E	32LN549E	
PANEL	Backlighting	Direct LED						
	LCD Panel Type (measured diagonally)	60" Class (59.58")	55" Class (54.6")	47" Class (46.9)	42" Class (41.9")	39" Class (38.5)	32" Class (31.5")	
	Native Resolution	1920 x 1080 (FHD)					1366 x 768 (HD)	
	Brightness	300cd/m ²						
	Dynamic CR	1,000,000:1						
	Viewing Angle (HxV)	178°/178°			176°/176°	178°/178°		
	Response Time	9ms			9.5ms	9ms		
	Frame Rate	60Hz						
	Built-In Tuner	ATSC/NTSC/Clear QAM						
	XD Engine	Yes						
VIDEO	24p Real Cinema (24p.55/22 Pull down)	Yes						
	Eye Care (Anti Dazzling)	Yes						
	Audio Output	20W (10W x 2) (W/RJP 7W x 2)						
	Speaker System	1 Way 2 Speakers						
AUDIO	Infinite Sound	Yes						
	Invisible Speaker	Yes						
	Clear Voice II	Yes						
	RF (1/2 Tuner)	Yes (1 Tuner)						
	H-PCAP (CEM, FLASH, HTML) *Service Carousel (TV)	Flash						
	Simplink	Yes (HDMI-CEC)						
	SI Compatible (TVLink Protocol)	Yes (TV Link Tuner)						
	WiFi	USB dongle						
	Hotel Mode/PDM/Installer Menu	Yes						
	IR Out	Yes (RS-232C)						
SPECIAL FEATURES	External Speaker Out	Yes (Variable/Fixed/Line Out, 3.5mm, Stereo, Single ended Type (GRD, L+, R+), 1W with 8Ω)						
	RJP Interface	Yes (RJ45, HDMI)						
	RJP Compatibility	LG, Teledapt (RJ45, HDMI CEC), G-Link (HDMI-CEC)						
	USB	USB 2.0, USB Auto Play back, USB Cloning						
	Moving Picture Playback (SD/HD/Plus HD)	Divx HD						
	Picture	JPEG						
	Audio Codec	AC3 (Dolby Digital), EAC3, AAC, Mpeg, MP3, PCM						
	USB Cloning	USB 2.0						
	Multi IR Code	Yes						
	Welcome Screen (Splash Image)	Yes						
Auto Off / Auto Sleep	Yes							
Video Mute	Yes							
Smart Energy Saving	Yes							
Anti-theft System	Kensington Lock							
Credenza Bracket	Yes							

INPUTS/OUTPUTS	Model	60LN549E	55LN549E	47LN549E	42LN549E	39LN549E	32LN549E
USB (2.0)							2 Side (1-Dongle only)
RF In							1 Rear
AV In							1 Rear
Digital Audio Out (Coaxial / Optical)							1 Rear (Optional)
HDMI/HDCP Input							3 (2 Rear, 1 Side)
RGB In (D-sub 15pin) - PC							1 Rear
PC Audio Input							1 (Sharing with AV In)
RS-232C (D-Sub 9pin)							1 Rear
RJ45 (RJP interface)							1 Rear
External Speaker Out (3.5mm phone jack)							1 Rear
CABINET	Bezel Width (off Bezel) (mm)	19.9mm, 24.5mm					
	With Stand	53.5" x 33.5" x 11.7"	49.2" x 31.1" x 11.7"	42.5" x 27.3" x 10.4"	38.1" x 24.8" x 9.3"	35.2" x 23.1" x 9.3"	29.1" x 19.6" x 8.1"
	Weight	58.0 lbs.	46.7 lbs.	32.0 lbs.	23.6 lbs.	21.4 lbs.	15.4 lbs.
	Without Stand	53.5" x 31.5" x 2.6"	49.2" x 29.0" x 3.1"	42.5" x 25.3" x 3.2"	38.1" x 22.8" x 3.1"	35.2" x 21.1" x 3.1"	29.1" x 17.7" x 3.1"
	Weight	53.4 lbs.	42.1 lbs.	28.9 lbs.	21.2 lbs.	18.9 lbs.	14.1 lbs.
	Carton	65.0" x 34.6" x 8.9"	61.0" x 33.1" x 8.3"	52.4" x 29.5" x 6.9"	45.3" x 26.0" x 6.9"	42.3" x 25.2" x 6.5"	35.5" x 20.9" x 6.4"
	Weight	70.5 lbs.	59.5 lbs.	40.6 lbs.	31.3 lbs.	28.2 lbs.	20.3 lbs.
	Swivel	Fixed	±90°				±15°
	Color	Black with Hairline Finish					
	VESA™ Standard Mount Interface	400mm x 400mm			200mm x 200mm		200mm x 100mm
Flame Retardant	Yes (Back Cover only)						
REQUIRED LISTINGS	Safety	cUL, UL, NOM, FCC					
	RoHS	Yes					
	Energy Star 6.0	Yes					
UPC		7 19192 91585 5	7 19192 90448 4	7 19192 90447 7	7 19192 90446 0	7 19192 91560 2	7 19192 90444 6
	POWER	100~240V 50/60Hz					
POWER	Power Source	100~240V 50/60Hz					
	Watts (Typical)	89W	74W	64W	50W	43W	37W
POWER	Standby	0.5W					
	WARRANTY	2 Year Limited Warranty (Parts/Labor/Backlight)					

Required PC spec for installation: Pentium M or 4 CPU, 512MB RAM, Windows XP sp2, 200MB HDD



ENERGY GUIDE

The estimated annual energy cost determined in accordance with 16 CFR Part 305.5 for models 60LN549E, 55LN549E, 47LN549E, 42LN549E, 39LN549E and 32LN549E are \$20, \$17, \$14, \$11, \$10 & \$9 respectively.

*Your energy cost depends on your utility rates and use. The estimated cost is based on 11 cents per kWh and 5 hours of use per day. For more information, visit www.ftc.gov/energy.

¹FTC Television labeling rule (18 CFR Part 305, as added by 76 Fed. Reg. 1038 [Jan 6, 2011]).

All screen images are simulated. Dimensions and weights are approximate. Design, features and specifications subject to change without notice.

© Copyright 2014 LG Electronics USA, Inc. All Rights Reserved. "LG Life's Good" is a registered trademark of LG Corp. XD Engine is a registered trademark of LG Electronics, Inc. HealthView and EcoSmart are trademarks of LG Corp. ENERGY STAR is a registered trademark of the U.S. Environmental Protection Agency. Dolby and the double-D symbol are registered trademarks of Dolby Laboratories. SRS and the SRS symbol, TruSurround XT and WOW are trademarks or registered trademarks of SRS Labs, Inc. VESA is a trademark of Video Electronics Standards Association. All other product and brand names are trademarks or registered trademarks of their respective companies.

Printed in the USA. January 2014



LG Electronics U.S.A., Inc.
HE B2B Division
2000 Millbrook Drive
Lincolnshire, IL 60069
Customer Service: 888.865.3026
www.LGsolutions.com/support
Contact your LG Regional Sales Representative:
Channel: 800.897.8871
Hospitality: 800.228.1236
E-mail: info@LGsolutions.com
SPEC_LN549E_EzSignTV_091328_PR