

## Installation Instructions

# Ceiling Trim Kit for Recessing Targa, Premier and Luma 2\* Projection Screens by Draper

### ⚠ Caution

- 1 Read instructions through completely before proceeding.
- 2 Follow instructions carefully. Installation contrary to instructions invalidates warranty.
- 3 Should be installed level (using a carpenter's level).
- 4 Before assembling ceiling slot trim kit, slot fascia must be cut to size (see drawings).
- 5 Mount ceiling slot trim kit to screen case before suspending case.
- 6 Hardware for assembling ceiling slot trim kit and attaching to screen case is provided; it is the responsibility of the installer to provide the appropriate hardware for suspending or otherwise mounting the screen case.
- 7 Please refer to the correct drawing for your product. If using a Premier or Targa, see the drawing on page 1. If using a Luma 2, refer to the drawing on page 2.

**The Ceiling Opening Trim Kit is for use in an acoustical, drop ceiling only. Not recommended for drywall or hard ceilings.**

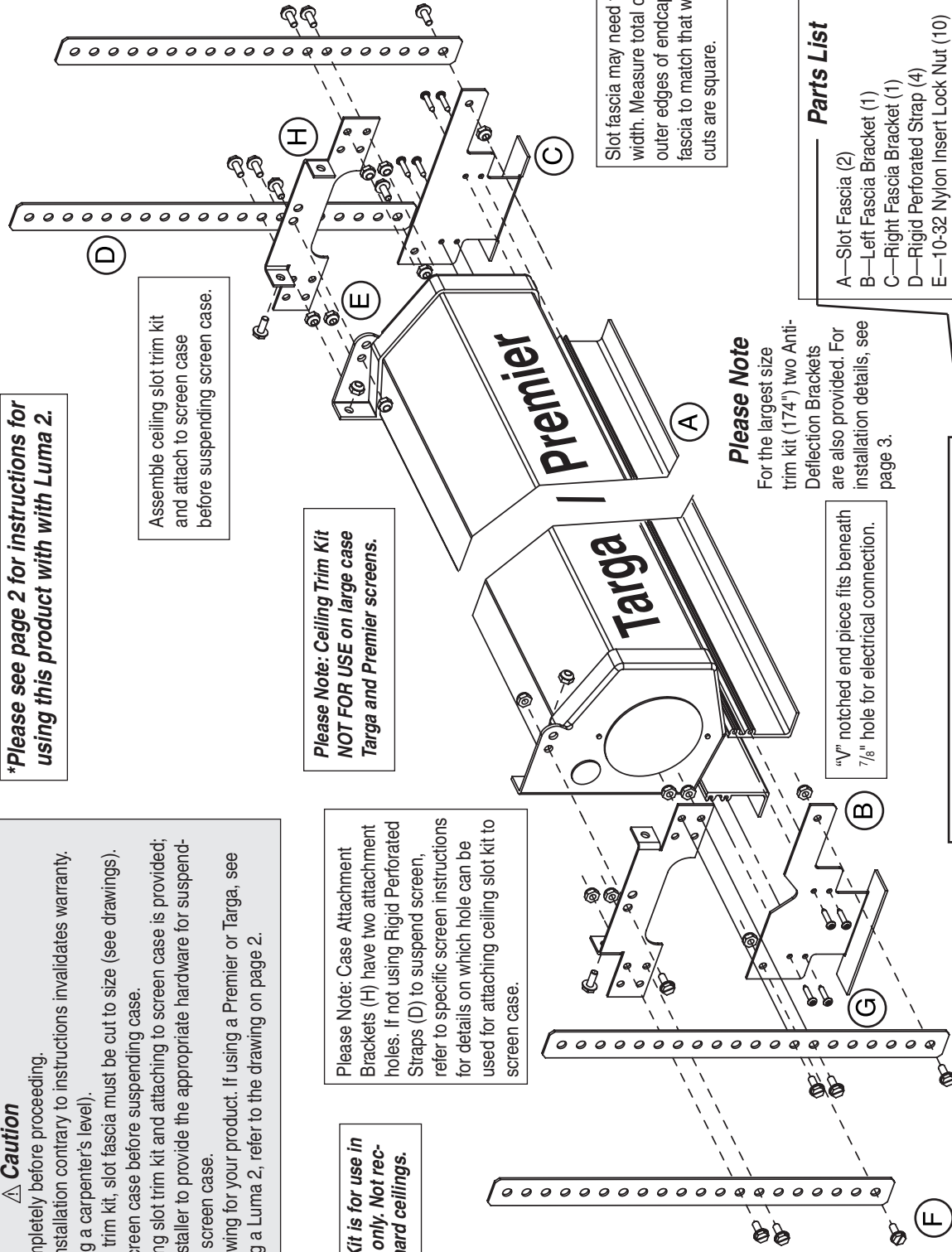
**Please Note:** Case Attachment Brackets (H) have two attachment holes. If not using Rigid Perforated Straps (D) to suspend screen, refer to specific screen instructions for details on which hole can be used for attaching ceiling slot kit to screen case.

Excess metal hanger material can be cut off or folded over. Hangers can also be used to suspend screen.

**\*Please see page 2 for instructions for using this product with Luma 2.**

Assemble ceiling slot trim kit and attach to screen case before suspending screen case.

**Please Note: Ceiling Trim Kit NOT FOR USE on large case Targa and Premier screens.**



Slot fascia may need to be cut to proper width. Measure total case width (from outer edges of endcaps) and cut slot fascia to match that width. Make sure cuts are square.

### Please Note

For the largest size trim kit (174") two Anti-Deflection Brackets are also provided. For installation details, see page 3.

"V" notched end piece fits beneath 7/8" hole for electrical connection.

### Please Note

These items included with your kit are not required for Targa or Premier. **They are for use only with Luma 2 screens.**

### Parts List

- A—Slot Fascia (2)
- B—Left Fascia Bracket (1)
- C—Right Fascia Bracket (1)
- D—Rigid Perforated Strap (4)
- E—10-32 Nylon Insert Lock Nut (10)
- F—Screw #10-32 x .5" L Hex Wash Hd Zinc Type "F" (16)
- G—Screw #6-32 x 3/4" Long Phil Pan Hd Type "AB" (8)
- H—Case Attachment Bracket (2)

If you encounter any difficulties installing your ceiling slot trim kit, call your dealer or Draper, Inc., Spiceland, Ind., (765) 987-7999; fax (765) 987-7142.

# DRAPER®

411 S. Pearl St., Spiceland, IN 47385 USA ■ 765-987-7999  
www.draperinc.com ■ fax 765-987-7142

Copyright © 2013 Draper Inc. Form CeilingTrimKit\_Inst13-R2 Printed in U.S.A.

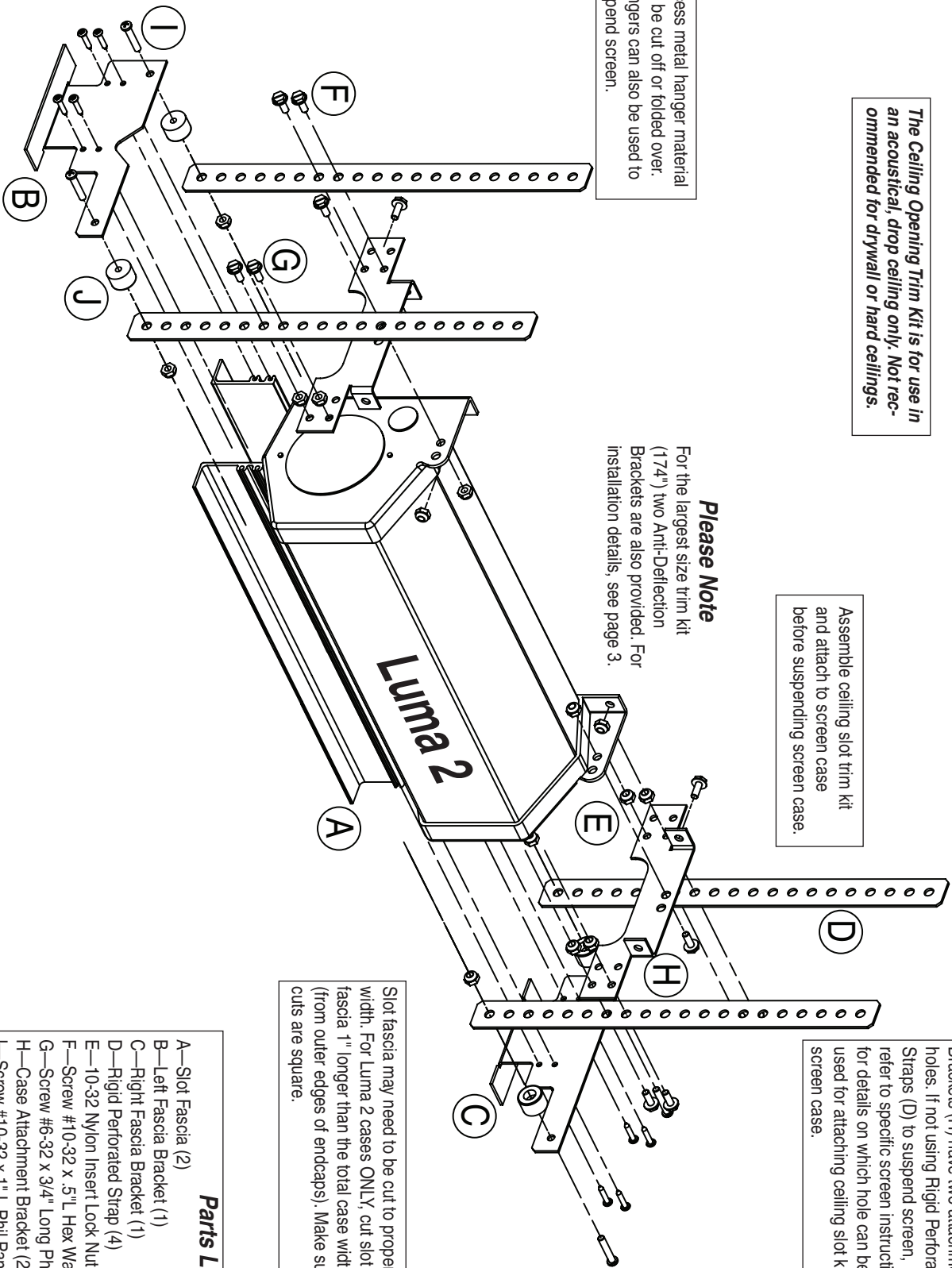
*The Ceiling Opening Trim Kit is for use in an acoustical, drop ceiling only. Not recommended for drywall or hard ceilings.*

Assemble ceiling slot trim kit and attach to screen case before suspending screen case.

Please Note: Case Attachment Brackets (H) have two attachment holes. If not using Rigid Perforated Straps (D) to suspend screen, refer to specific screen instructions for details on which hole can be used for attaching ceiling slot kit to screen case.

Excess metal hanger material can be cut off or folded over. Hangers can also be used to suspend screen.

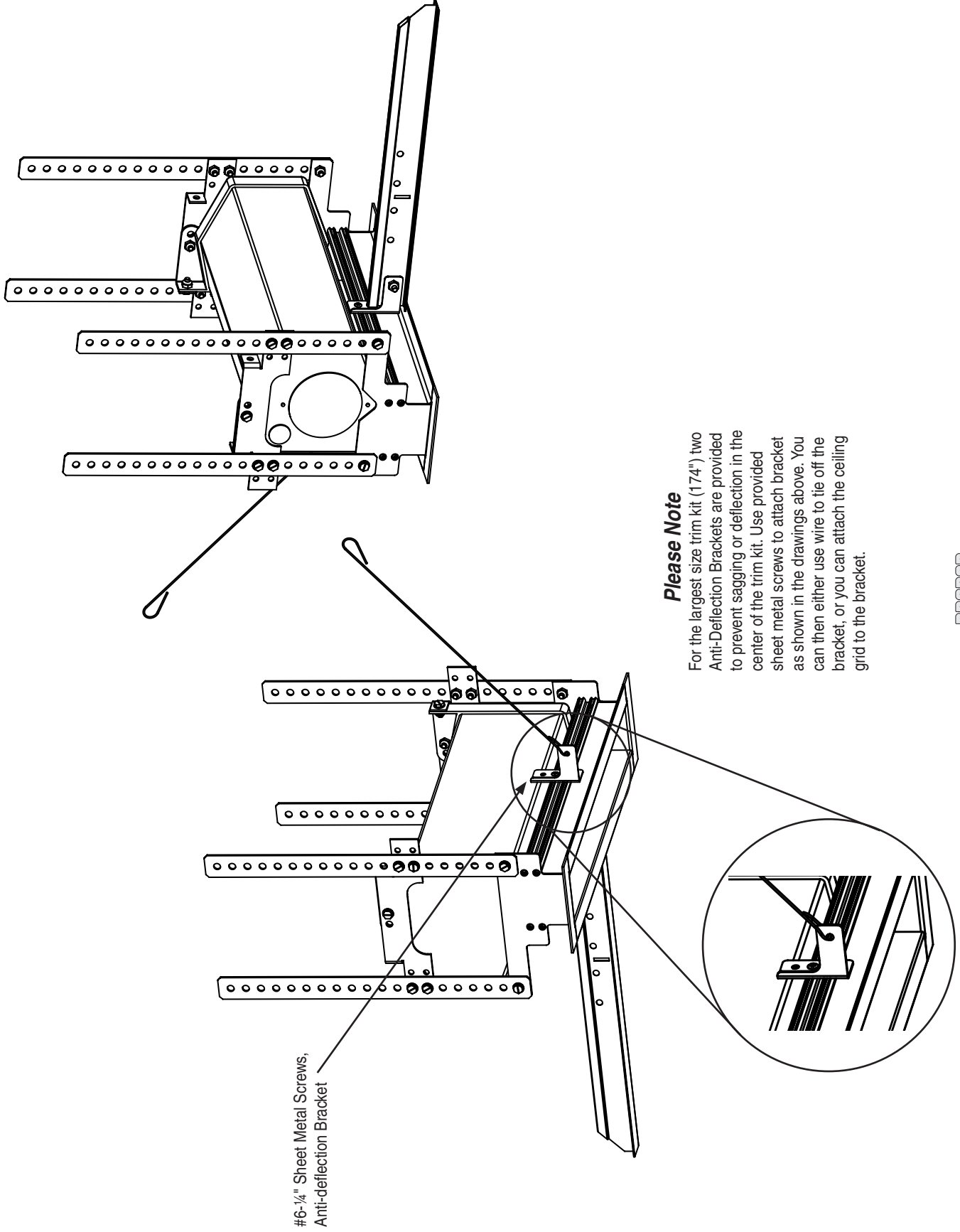
**Please Note**  
For the largest size trim kit (174") two Anti-Deflection Brackets are also provided. For installation details, see page 3.



Slot fascia may need to be cut to proper width. For Luma 2 cases ONLY, cut slot fascia 1" longer than the total case width (from outer edges of endcaps). Make sure cuts are square.

### Parts List

- A—Slot Fascia (2)
- B—Left Fascia Bracket (1)
- C—Right Fascia Bracket (1)
- D—Rigid Perforated Strap (4)
- E—10-32 Nylon Insert Lock Nut (10)
- F—Screw #10-32 x .5" L Hex Wash Hd Zinc Type "F" (16)
- G—Screw #6-32 x 3/4" Long Phil Pan Hd Type "AB" (8)
- H—Case Attachment Bracket (2)
- I—Screw #10-32 x 1" L Phil Pan Head [LUMA2 ONLY]
- J—Grey Rubber Grommet Foot (Spacer)[LUMA2 ONLY]



#6-1/4" Sheet Metal Screws,  
Anti-deflection Bracket

**Please Note**

For the largest size trim kit (174") two Anti-Deflection Brackets are provided to prevent sagging or deflection in the center of the trim kit. Use provided sheet metal screws to attach bracket as shown in the drawings above. You can then either use wire to tie off the bracket, or you can attach the ceiling grid to the bracket.