

## AWC82 & AWC129 Series UB-Adapter for Pole Mount Installation Instructions

The PM-AWC-G adapts the JBL AWC82 and AWC129 Series all weathered loudspeakers to the PM Mount series. It provides a center single hole mounting while adding extra support to the AWC82 and AWC129 series U-brackets. The single mounting hole provides an easy and flexible way to rotate the speaker horizontally to any desired direction.

### **Important:**

Mounting overhead systems require professional experience. *Improperly installed equipment can result in property damage, personal injury, death and/or liability to the installing contractor.* Do not install if in doubt about the integrity of the mounting structure.

### **Caution:**

Due to the wide variety of mounting structures, environments, materials and mounting methods, the installing contractor must exercise good judgment in selecting the proper mounting area and hardware.

Safety cables are recommended from the speaker to another structurally safe mounting point.

*Follow these instructions for the most efficient and safest mounting results. Do not exceed the working load limit of 100lbs/45 kg.*

### **Do not use Pneumatic tool to tighten bolts**

### **Package Contents:**

1 pc	UB Adapter
4 pcs	Hex tap bolt, M10x30mm
8 pcs	Flat washer, M10x20mm OD
4 pcs	Hex nylock nut, M10

### **Step 1:**

Install selected Pm-Series pole mounting system to poles or columns.  
Refer to the installation instructions

### **Step 2: Attach Adapter**

Attach the PM-AWC-G to the selected pole mounting system using the provided bolts, washer, nuts and friction washers that comes with the Pole Mounts. Make sure that the friction washer is in between the Adapter and the Pole Mount per installation instruction (Figure 1)

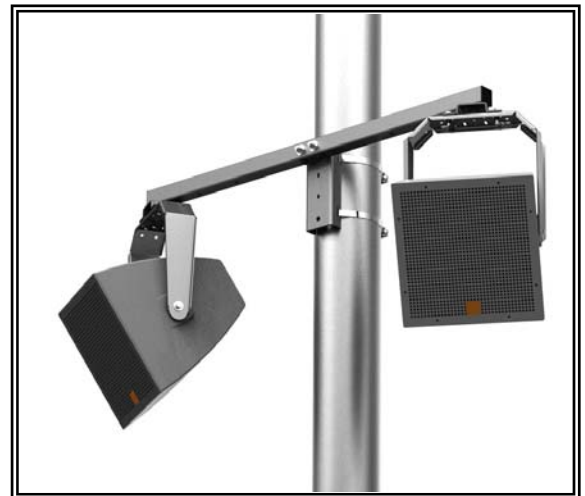
Snugly tighten the bolts and nylock nut, DO not fully tighten, the adapter should be able to rotate when pushed.

### **Step 3:**

Attached the AWC82 or AWC129 U-bracket and loudspeaker assembly to the adapter by centering the U-bracket to the adapter then match the holes of the adapter to the slots on the U-bracket. Secure with the provided hex bolts, flat washer and nylock nuts. Tighten screws permanently (Figure 2)



*Single mounted AWC129 loudspeaker*



*Double mounted AWC129 loudspeaker*



*Triple mounted AWC129 loudspeaker*

**Step 4:**

Rotate and position the U-bracket /loudspeaker assembly horizontally to desired direction then tighten the bolt securing the adapter to the pole mount using a flat wrench to access the head of the bolt below the adapter (Figure 3).

**Step 5:**

Adjust tilt angle of the loudspeaker per manufacturer's installation instructions.

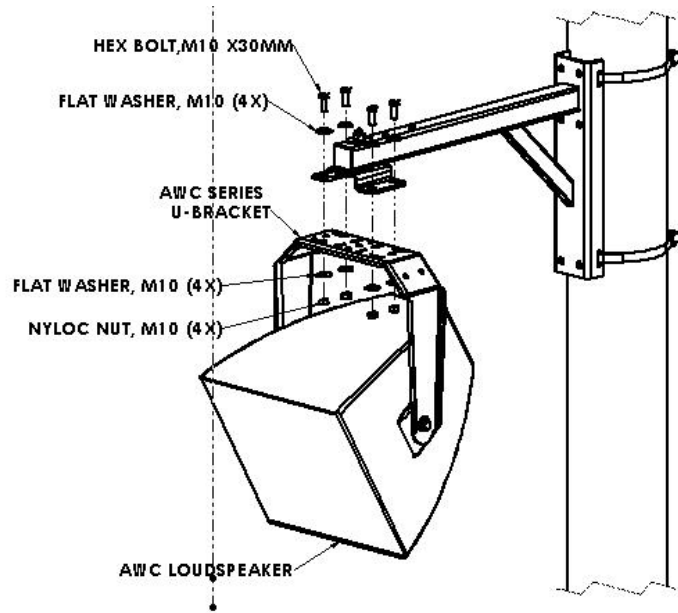


Figure 2

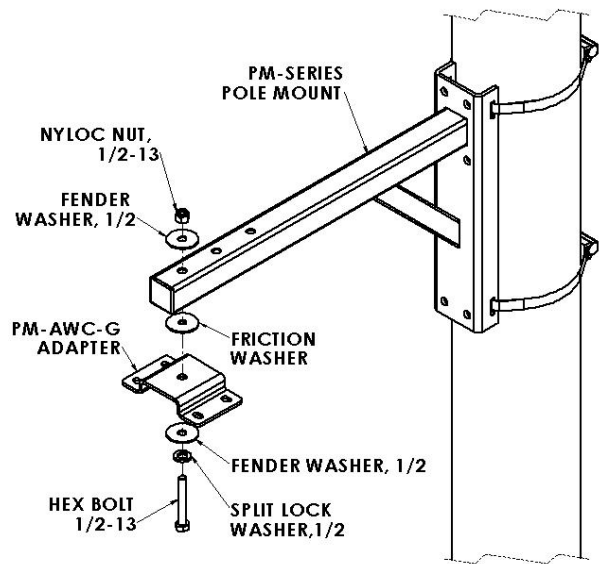


Figure 1

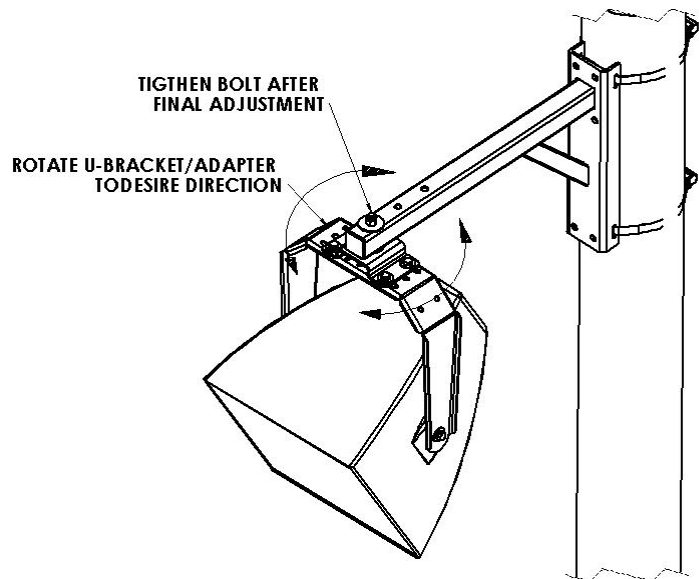


Figure 3