

### Professional Series

### Application:

High power critical sound reproduction in premier cinemas and studio production and post production applications.

### Key Features:

- ▶ Three-way ScreenArray® design for maximum output, optimal coverage, and minimum distortion.
- ▶ 700 watt midrange featuring two 8" Differential Drive® transducers
- ▶ Large format 4" neodymium, damped titanium diaphragm, high frequency compression driver.
- ▶ 1200 W low-frequency section with two 15" Vented Gap Cooled low-frequency transducers
- ▶ New molded Optimized Aperture Waveguide technology for ultra low distortion and extremely uniform frequency response.
- ▶ JBL Patented SSC™ Screen spreading Compensation
- ▶ Focused Coverage Technology
- ▶ Flat Front Wave Guide for easy baffle wall installation
- ▶ Shallow 18" profile for minimum behind screen depth requirements.

Today's premier cinemas require perfect coverage in every seat of the auditorium, wide dynamic range and extended bandwidth, as well as inaudible levels of distortion. Digital soundtracks require sound systems for premier auditoriums that can accurately reproduce the sound exactly as recorded.

The 5732 High Power ScreenArray features true three-way design enhanced by advanced engineering. JBL's latest technical innovations are integrated into a system design that provides superior coverage, maximum power handling, and uniform acoustic power output, along with extremely low distortion. The ScreenArray design provides ideal power response and directivity control with seamless transitions between acoustic sections.

Manufactured and sold under US Patents: 6466680, 6513622, 5748760 and 5042072



### Specifications:

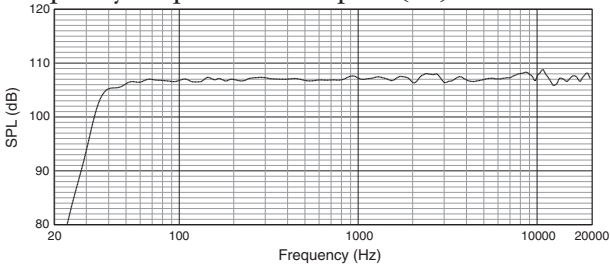
System:	
Frequency Range (-10 dB):	30 Hz – 20 kHz
Frequency Response (±3 dB):	40 Hz – 19 kHz
Sensitivity:	115 dB, 2.83V @ 1m (3.3 ft)
Rated Maximum SPL:	128 dB SPL continuous @ 1m, 134 dB Peak
System Input Power Rating:	LF: 1200 W; MF: 700W; HF: 150W
Hor. Coverage Angle (-6 dB):	90°
Vert. Coverage Angle (-6 dB):	20° up, 30° down
Directivity Factor (Q):	10.0
Directivity Index (dB):	10
Crossover Frequencies:	250 Hz, 1.3 kHz
Dimensions (H x W x D):	1937 mm x 762 mm x 450 mm (76.3 in x 30.0 in x 17.8 in)
Net Weight:	86 kg (190 lb)
Shipping Weight:	101 kg (223 lb)
Component Elements:	
<b>Model 5739 Low Frequency:</b>	Transducers: 2 x 2226HPL, 380 mm (15 in) dia. Vented Gap Cooled™ (VGC), 100 mm (4 in) dia. edgewound ribbon voice coils.
Nominal Impedance:	4 ohms
Input Power Rating:	1200 W (AES), 1500 to 3000W recommended amplifier
Sensitivity:	103 dB SPL, 2.83V @ 1m (3.3 ft)
Input Connectors:	Push terminal binding posts
Dimensions (H x W x D):	1219 mm x 762 mm x 450 mm (48.0 in x 30.0 in x 17.8 in)
Net Weight:	64 kg (142 lb)
Shipping Weight:	79 kg (175 lb)
<b>Model 5732-M/HF:</b>	Mid Frequency: 2 x 2169H, 200 mm (8 in) dia. Differential Drive® Neodymium Magnet, 76 mm (3 in) dual coil edgewound ribbon voice coil.
High Frequency:	2452H-SL 38 mm (1.5 in) exit compression driver with 100 mm (4 in) diameter voice coil and Neodymium magnet.
Nominal Impedance:	MF: 4 ohms; HF: 8 ohms
Input Power Rating:	MF: 700 W; 1000 to 2000 W recommended amplifier HF: 150 W; 500 to 1000 W recommended amplifier
Sensitivity:	MF: 110 dB SPL, 2.83V @ 1m (3.3 ft) HF: 115 dB SPL, 2.83V @ 1m (3.3 ft)
Input Connectors:	Screw Terminal Barrier Strip
Dimensions (H x W x D):	1054 mm x 762 mm x 450 mm (41.5 in x 30.0 in x 17.8 in)
Net Weight:	21.6 kg (48 lb)
Shipping Weight:	29.7 kg (63 lb)

JBL factory-engineered three-channel Digital Signal Processing (DSP) is required for this product to achieve specified performance.

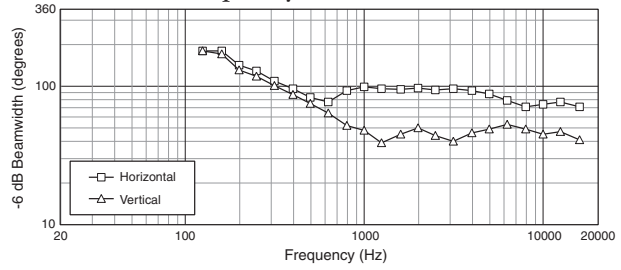
JBL continually engages in research related to product improvement. Some materials, production methods and design refinements are introduced into existing products without notice as a routine expression of that philosophy. For this reason, any current JBL product may differ in some respect from its published description, but will always equal or exceed the original design specifications unless otherwise stated.

# ▶ 5732 Tri-Amplified, High Power, Low Profile ScreenArray® Cinema Loudspeaker System

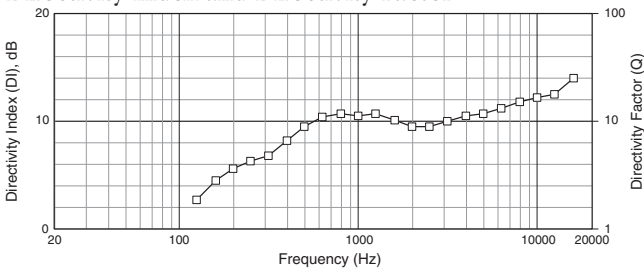
Frequency Response in half-space ( $2\pi$ )



Bandwidth vs. Frequency

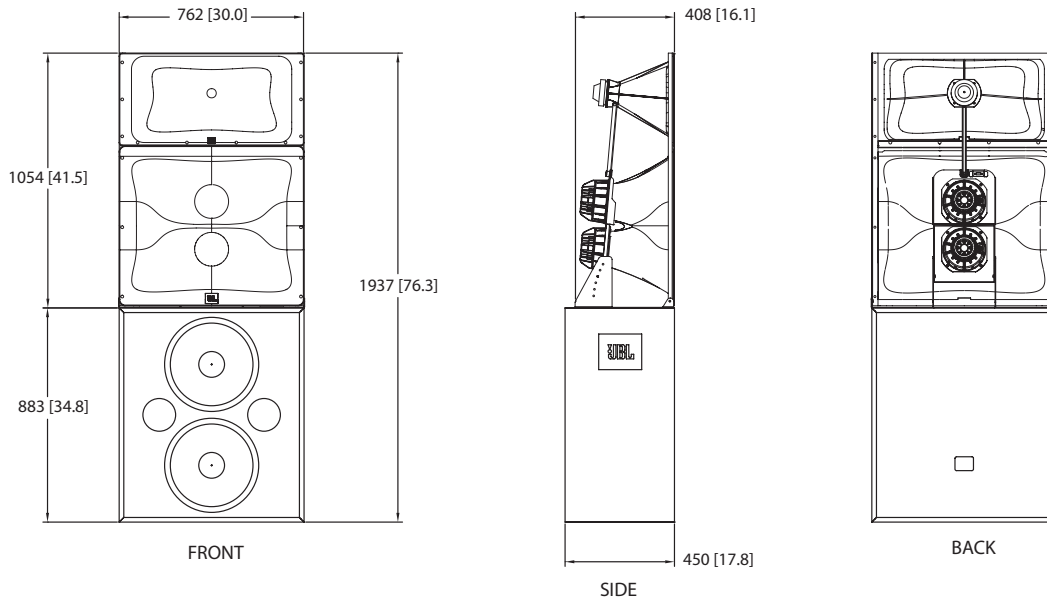


Directivity Index and Directivity Factor



## Dimensions

Dimensions in mm (in)



JBL Professional  
 8500 Balboa Boulevard, P.O. Box 2200  
 Northridge, California 91329 U.S.A.

■ A Harman International Company  
 © Copyright 2010 JBL Professional  
[www.jblpro.com](http://www.jblpro.com)

SS5732  
 CRP  
 03/10