



AFI-3

CONTRACTOR SERIES LOUDSPEAKER SYSTEM

DESCRIPTION:

The AFI-3 offers exceptional output power with excellent high frequency pattern control. With the addition of a subwoofer, the AFI-3 can handle high-level music in clubs and discos. The AFI-3 high frequency horn is available in a 60° x 45° or 90° x 45° pattern. These horns and the logo plate are rotatable to allow alternative hanging positions.

DRIVER COMPLEMENT:

LOW FREQUENCY: One Apogee 10" (254mm) permanent magnet cone-type driver is treated with a waterproofing compound, providing resistance to moisture, and enabling long-term stability of cone resonance and cone mass parameters

HIGH FREQUENCY: One Apogee 1.75" (45mm) voice coil, 1" (25mm) exit horn-loaded compression driver treated with Ferrofluid

INPUT CONNECTORS:

Barrier strip, screw type #8

COMPATIBLE PROCESSORS:

AFI Main Frame Controller Chassis (using AFI-3 Module) or DLC24

HANDLES:

Two handles – one top, one bottom – designed as an integral part of the enclosure (no moving parts)

GRILLE:

Highly durable, quality finish on perforated steel (aluminum on SX version)

RIGGING HARDWARE:

Fourteen rigging points, four each on top and bottom, two each on both sides and rear, all backed with 16-gauge steel; points can be type 3/8"-16 or M10 thread

FINISH:

Textured high-strength black or white epoxy paint; other colors optional

ENCLOSURE TYPE:

30° trapezoidal, optimally-vented bass

CABINET CONSTRUCTION:

Multi-ply hardwood with stainless steel fasteners

OPTIONS/ACCESSORIES:

- AFI Controller Processor or DLC24 Digital Processor
- SX weather treatment for harsh environments
- Assorted rigging components

ENGINEERING DATA:

FORMAT:

Passive/Two-way

DISPERSION:

AFI-3 H: 60° x **V:** 45° (rotatable)

AFI-3W H: 90° x **V:** 45° (rotatable)

FREQUENCY RESPONSE (1M ON AXIS):

61 Hz to 20 kHz ± 3 dB

MAX. SPL (@1M):

120 dB cont./126 dB peak

PTML (PEAK TRANSIENT MECHANICAL LIMIT):

137 dB

SENSITIVITY (1W @ 1M):

98 dB SPL/100 Hz to 4 kHz

NOMINAL IMPEDANCE:

8 ohms

MAX. POWER HANDLING:

200W cont./800W peak

DIMENSIONS:

front: 13.5" (343mm) W x 25.5" (648mm) H

rear: 8.2" (207mm) W x 25.5" (648mm) H

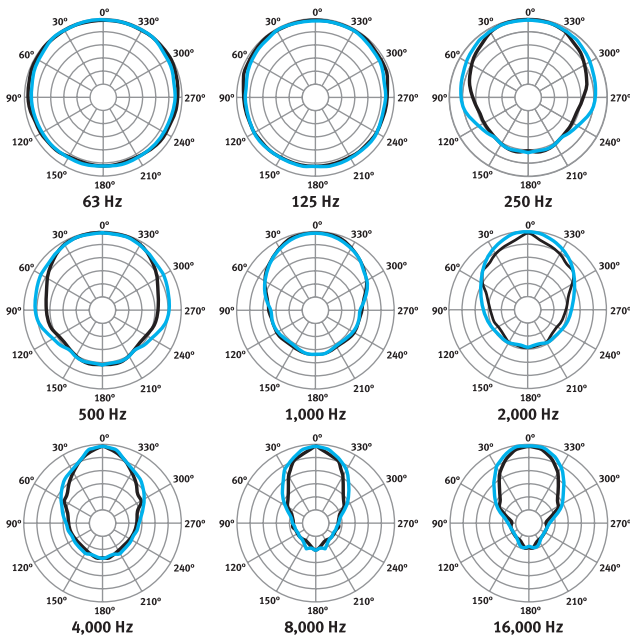
depth: 12.1" (307mm)

WEIGHT:

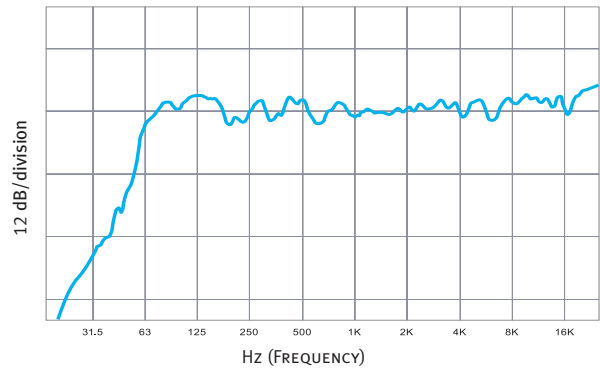
45 lb. (21 kg)

APOGEE
SOUND INTERNATIONAL

POLAR MEASUREMENTS AFI-3 (6 dB/division, normalized)



FREQUENCY RESPONSE AFI-3



Measured in a free-field anechoic environment using a swept one-third octave input.

PROCESSOR NOTES:

The AFI Controller consists of an analog Main Frame which accepts four voicing modules. Modules are available for each of the different AFI loudspeaker types, with two module bays required for bi-amplified speakers.

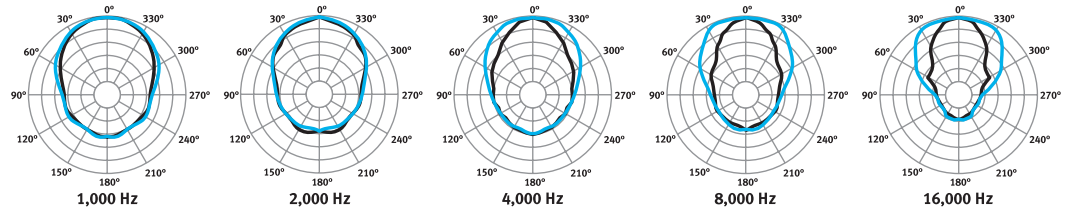
The DLC24 Digital Loudspeaker Controller is a digital engine with an analog surface. It combines the most advanced technology available with intuitive interfaces to provide the key elements that ensure optimal loudspeaker system performance and management in a variety of live sound and fixed installation applications.

The controllers provide factory-set equalization curves to smooth the response, protective limiting, and active crossovers (for bi-amplified models and subwoofers). Barrier strip inputs and outputs are standard on the AFI Controller. XLR inputs and outputs are standard on the DLC24.

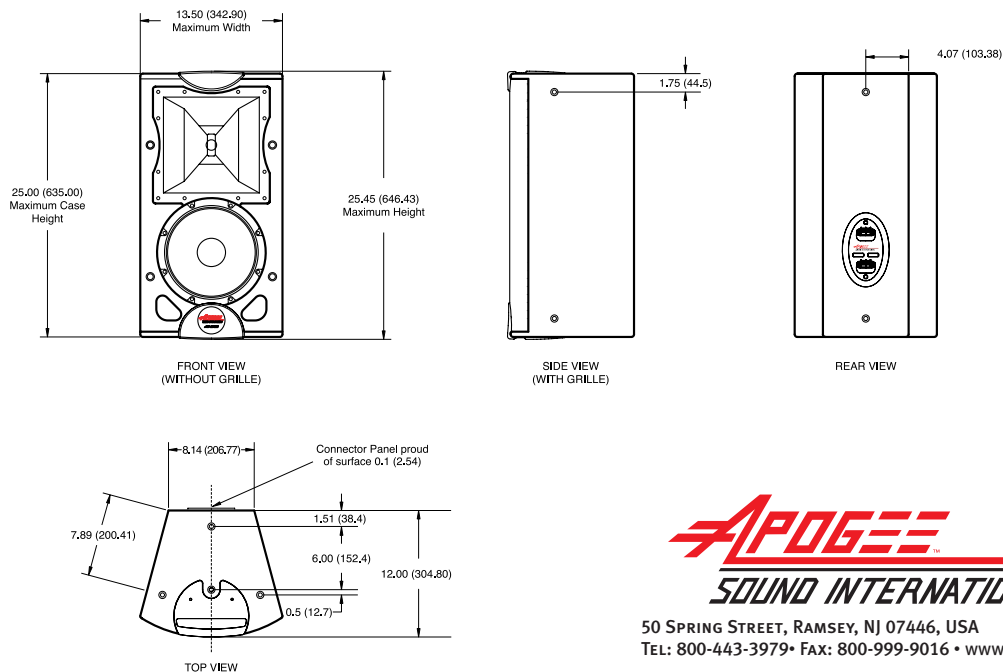
HORIZONTAL ——— (blue line)
VERTICAL ——— (black line)

All polar measurements obtained in a free-field environment at 10° increments.

POLAR MEASUREMENTS AFI-3W (measurements for 63 Hz to 500 Hz are identical to the AFI-3)



DIMENSIONAL DRAWINGS AFI-3 (dimensions in inches and millimeters)



50 SPRING STREET, RAMSEY, NJ 07446, USA
 TEL: 800-443-3979 • FAX: 800-999-9016 • www.apogee-sound.com