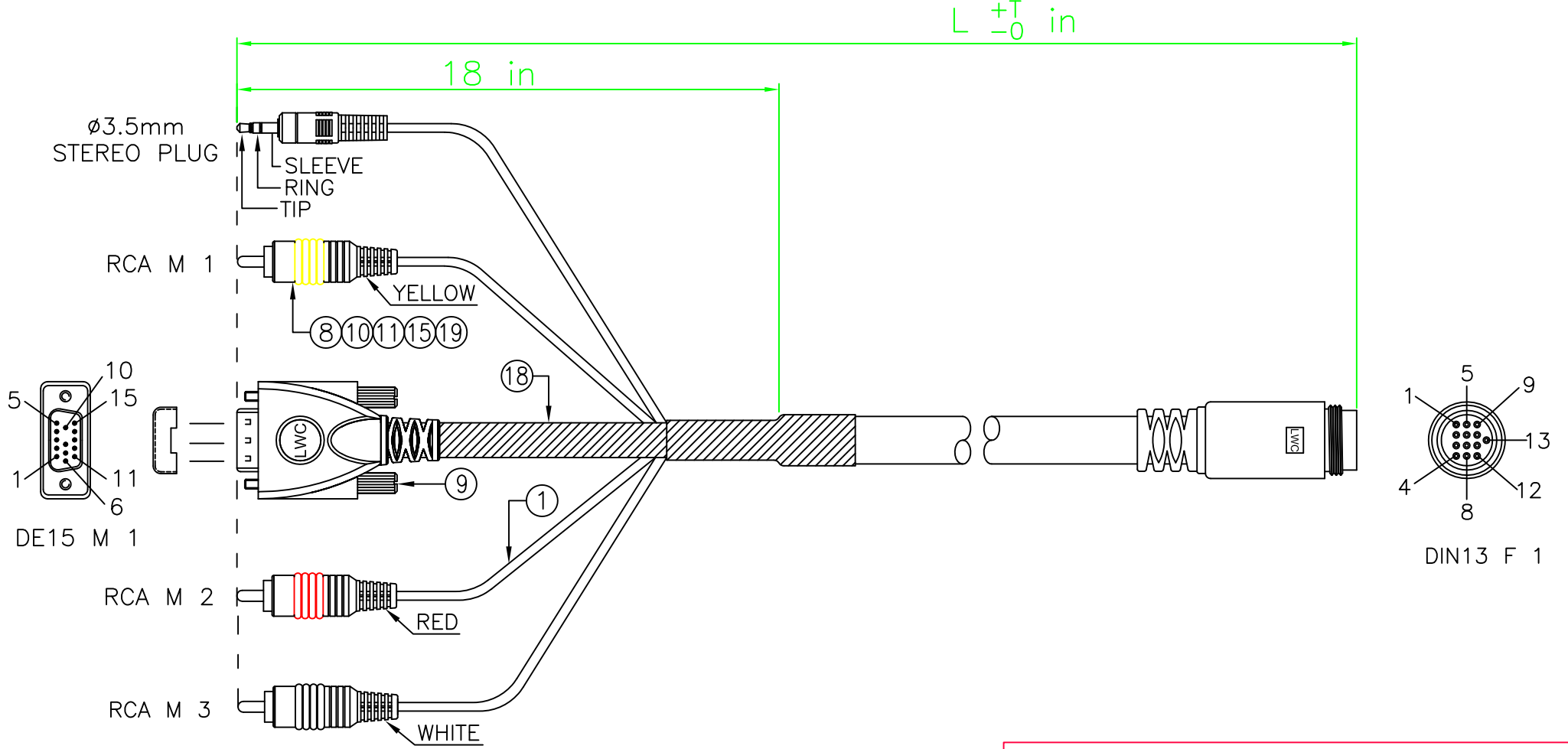


REV	DESCRIPTION	DATE
0	ISSUE	11/25/08



EZ-VGA3.53RCA-50	600	6
EZ-VGA3.53RCA-35	420	4
P/N.	L(in)	T(in)

LIBERTY AV SOLUTIONS  
 11675 RIDGELINE DRIVE  
 COLORADO SPRINGS, CO 80921

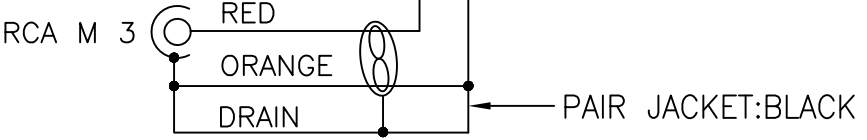
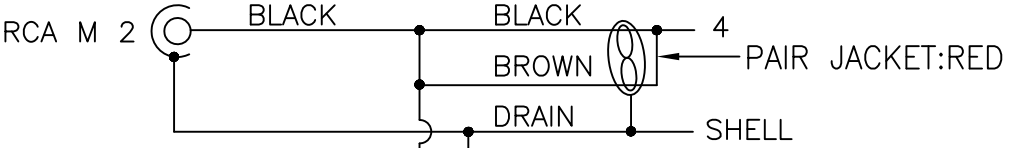
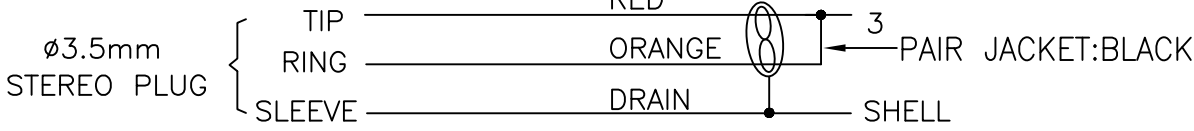
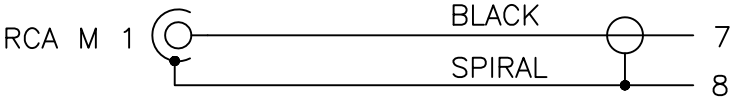
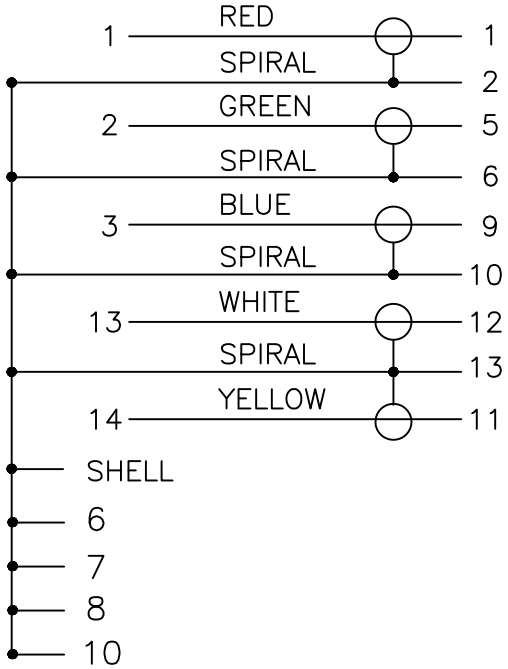
WWW.LIBAV.COM  
 (800) 530-8998

UNIT:mm	TITLE:	DR.
SCALE None	Assembly Specification CBL, ASY, EDULINX, PVC	RP
UNLESS OTHERWISE SPECIFIED TOLERANCES: x ±.015 xx ±.010 xxx ±.005 ANGLE ± 1°	PART NUMBER: E-VGA3,53RCAM-XX	CH. RP
SHEET 1/2	DWG. #: LWC-ASY-00083	AP. RP

REV	DESCRIPTION	DATE
0	ISSUE	11/25/08

PIN OUT

DE15 M 1 ————— DIN13 F 1



LIBERTY AV SOLUTIONS WWW.LIBAV.COM  
 11675 RIDGELINE DRIVE (800) 530-8998  
 COLORADO SPRINGS, CO 80921

	UNIT:mm	TITLE: Assembly Specification CBL, ASY, EDULINX, PVC	
SCALE	None	PART NUMBER: E-VGA3,53RCAM-XX	DR. RP
UNLESS OTHERWISE SPECIFIED TOLERANCES: x ±.015 xx ±.010 xxx ±.005 ANGLE ± 1°			CH. RP
SHEET 2/2	DWG. #: LWC-ASY-00083		AP. RP