

M40 MINIATURE HIGH OUTPUT CEILING MIC

OVERVIEW:

The M40 is a miniaturized condenser microphone with a fully integrated preamp designed with very high sensitivity for distance miking. The primary applications for the M40 include ceiling mounted video conferences, distance learning, hospital rooms, surveillance, and ambient room miking.

The M40 has complete immunity from RF interference caused by cell phones and GSM devices. The M40, which comes with a cardioid capsule, is also available with hypercardioid or shotgun capsules, allowing the microphone the ability to be used in a wide variety of applications.

The M40 is easy to install requiring only that a 5/8 inch hole be drilled in the ceiling with no additional tools required. The cable assembly is equipped with a Phoenix connector. For installations where plenum rated cable is to be used, an optional nickel plated metal junction safety box is available.

SUPPLIED ACCESSORIES:

1' integrated mic cable terminating with phoenix connector (CONN170F).
The mating Phoenix connector (CONN170M) is also provided for easy solder-less connection.

OPTIONAL ACCESSORIES:

JB-M40 - Metal Safety Junction Box to house connectors and plenum rated cable where required by code.

MODEL VARIATIONS:

M40W6 - White finish, cardioid capsule, 6" gooseneck
M40W12 - As above, 12" gooseneck
M40WHC6 - White finish, hypercardioid capsule, 6" gooseneck
M40WHC12 - As above, 12" gooseneck
M40W6S - White finish, supercardioid capsule, 6" gooseneck
M40W12S - As above, 12" gooseneck



FEATURES:

- High output for distance miking
- Optimized for voice recognition
- Immunity from RF interference
- Operates on 18-52 volts phantom power
- Point and shoot directivity
- Miniaturized integrated preamp circuitry
- No external power adapter needed
- 12 mm gold vapor diaphragm
- Extremely low noise, high sensitivity
- Available with a cardioid, hypercardioid, or supercardioid capsule
- Optional junction box available

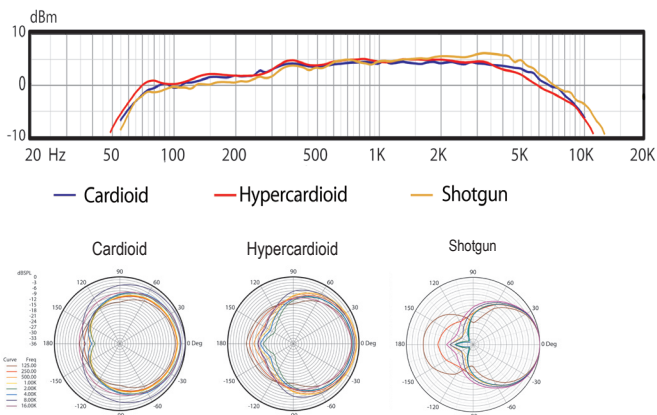
APPLICATIONS:

- Video Conferences
- Distance Learning
- Surveillance
- Hospital and Medical Procedures
- Ambient room miking

SPECIFICATIONS:

Transducer Type	Condenser
Frequency Response	60 Hz - 10 kHz
Polar Pattern	Cardioid
	Hypercardioid
	Supercardioid
Output Impedance	150 ohms
Sensitivity	37 mV / Pa @ 1k
Signal/Noise Ratio (A-weighted)	72 dB
Equivalent Noise Level (A-weighted)	22 dB
Maximum SPL @ .5% THD	≥130 dB
Dynamic Range	108 dB
Power Requirements	18 - 52v phantom
Connector	3 pin mini-XLRm
Polarity	Positive pressure on diaphragm produces positive voltage on pin 2 relative to pin 3
Housing / Finish	Copper and Steel Powder coat
Weight	0.7 ounces / 20 g
Length	2.1 inches / 54 mm

FREQUENCY / POLARS:



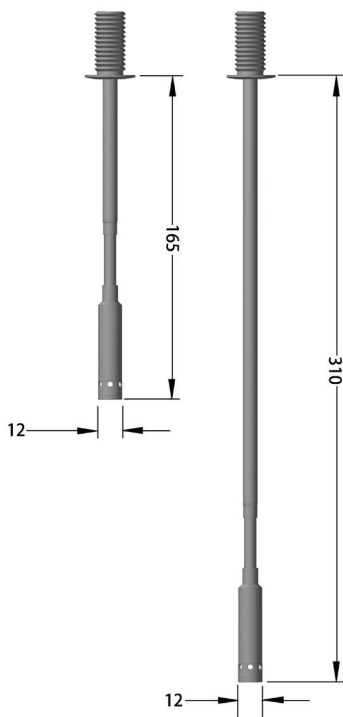
ARCHITECTS AND ENGINEERS SPECIFICATIONS:

The microphone shall be of the condenser type with a modular threaded capsule available in cardioid, hypercardioid, and supercardioid polar patterns. The microphone shall be protected from RF interference. The microphone shall have a fully integrated preamp circuitry thereby eliminating the need for a remote preamplifier module. The microphone shall operate on 18-52 Volts DC and the nominal output impedance shall be equal to 150 ohms at 1 kHz. The microphone shall have a sensitivity of 37 mV / Pa at 1 kHz. The microphone shall have a maximum SPL level of ≥130 dB with THD of 0.5%. The microphone shall be machined out of brass and the dimensions shall be 12 mm in diameter by 54 mm in length. The microphone shall be the Audix M40.

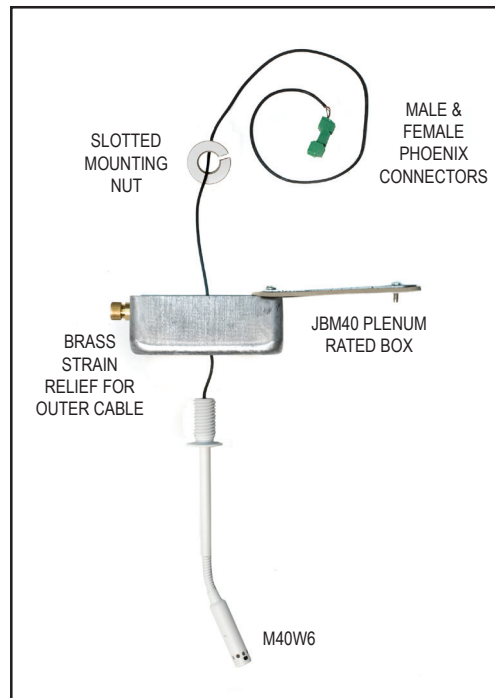
OPERATION:

The M40 is a low impedance microphone and should be plugged into a "mic level" input on your console, mixer, or recording device. The M40 requires phantom power and will NOT operate without phantom power voltage (18-52 Volts) which is available on most professional mic preamps and mixing devices. If phantom power is not available on your equipment, you will have to procure a phantom power supply (such as the Audix APS2). Avoid plugging or unplugging the microphone into or out of the audio system unless the channel is muted or the volume of the system turned down. Failure to do so may result in a loud "popping" noise which could seriously damage the speakers in the sound system.

DIMENSIONS (MM):



EXPLODED VIEW:



***All specifications subject to change without notice.

SERVICE AND WARRANTY:

This microphone is under warranty for a period of 3 years from any and all manufacturing defects. Should your microphone fail in any way, please contact the Audix Service department at 503-682-6933. A Return Authorization number is required before returning any products.

CARE AND MAINTENANCE:

The M40 is manufactured to exacting specs with road worthy construction. However, the capsule is highly sensitive and should be handled with care. Moisture of any kind can adversely affect the sound and performance of your microphone.



Audix Corporation 9400 SW Barber St. Wilsonville, OR 97070

www.audixusa.com
503-682-6933 Fax: 503-682-7114



ver. 1.1 - 2/12

AUDIX WARRANTY REGISTRATION FORM

Name: _____ Model: _____
 Company: _____ Serial Number: _____
 Address: _____ Store: _____
 City: _____ Store Location: _____
 Prov./State: _____ Zip: _____ Purchase Date: _____
 Phone: () _____ Signature: _____
 Email: _____ Date: _____

Please Check all that apply:

Male Female

Age:

- 18 or Under
- 19-25
- 26-35
- 36-45
- 46-55
- 55 +

Occupation:

- Musician
- Producer
- Sound Eng.
- Radio/TV
- Production
- Other _____

Primary Instruments:

- Vocal
- Guitar / Bass
- Drums
- Keyboard
- Brass
- Woodwinds
- Strings
- Other _____

Product to be used for:

- Pro live sound
- Pro recording
- Home recording
- Rehearsal
- Installation
- School
- House of Worship
- Other _____

How did you hear about Audix?

- Magazine Ad
- On-line Store
- Salesman
- Online Ad
- Friend
- Other _____

Do you own other Audix Products? Yes No

Model(s) _____

Have you visited the Audix website? Yes No

Please register your product online at www.audixusa.com or mail this form to:
 Audix Microphones P.O. Box 4010 Wilsonville, OR 97070