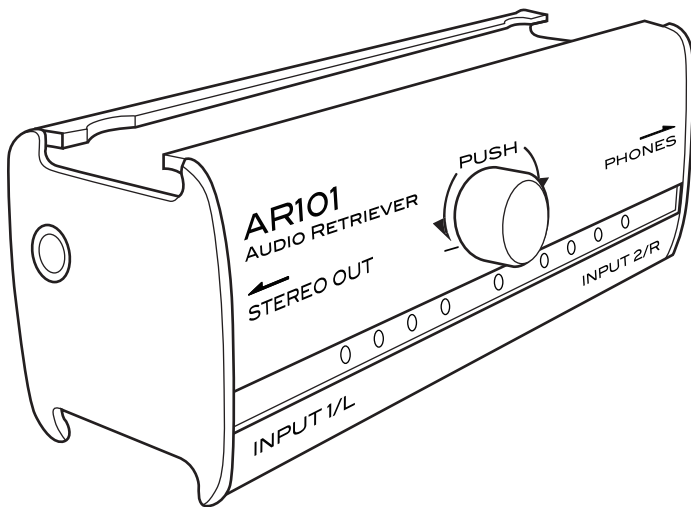


# AR101

## AUDIO RETRIEVER



**Fostex**<sup>®</sup>

## CAUTION

RISK OF ELECTRIC SHOCK  
DO NOT OPEN




### CAUTION

TO REDUCE THE RISK OF ELECTRIC SHOCK,  
DO NOT REMOVE COVER (OR BACK).  
NO USER - SERVICEABLE PARTS INSIDE.  
REFER SERVICING TO QUALIFIED SERVICE PERSONNEL.

## “WARNING”

“TO REDUCE THE RISK OF FIRE OR ELECTRIC SHOCK, DO NOT EXPOSE THIS APPLIANCE TO RAIN OR MOISTURE”

## SAFETY INSTRUCTIONS

- 1) Read these instructions.
  - 2) Keep these instructions.
  - 3) Heed all warnings.
  - 4) Follow all instructions.
  - 5) Do not use this apparatus near water.
  - 6) Clean only with dry cloth.
  - 7) Do not block any ventilation openings. install in accordance with the manufacturer's instructions.
  - 8) Do not install near any heat sources such as radiators, heat registers, stoves, or other apparatus (including amplifiers) that produce heat.
  - 9) Do not defeat the safety purpose of the polarized or grounding-type plug. A polarized plug has two blades with one wider than the other. A grounding type plug has two blades and a third grounding prong. The wide blade or the third prong are provided for your safety. If the provided plug does not fit into your outlet, consult an electrician for replacement of the obsolete outlet.
  - 10) Protect the power cord from being walked on or pinched particularly at plugs, convenience receptacles, and the point where they exit from the apparatus.
  - 11) Only use attachments/accessories specified by the manufacturer.
  - 12) Use only with the cart, stand, tripod, bracket, or table specified by the manufacturer, or sold with the apparatus. When a cart is used, use caution when moving the cart/apparatus combination to avoid injury from tip-over.
- 
- 13) Unplug this apparatus during lightning storms or when unused for long periods of time.
  - 14) Refer all servicing to qualified service personnel. Servicing is required when the apparatus has been damaged in any way, such as power supply cord or plug is damaged, liquid has been spilled or objects have fallen into the apparatus, the apparatus has been exposed to rain or moisture, does not operate normally, or has been dropped.
  - 15) Excessive sound pressure from earphones and headphones can cause hearing loss.



The lightning flash with arrowhead symbol, within an equilateral triangle, is intended to alert the user to the presence of uninsulated “dangerous voltage” within the product’s enclosure that may be of sufficient magnitude to constitute a risk of electric shock to persons.



The exclamation point within an equilateral triangle is intended to alert the user to the presence of important operating and maintenance (servicing) instructions in the literature accompanying the appliance.

## FCC(U.S.A.) & ICES-003(Canada) INFORMATION

### 1. IMPORTANT NOTICE

This product, when installed as indicated in the instructions contained in this manual, meets FCC and ICES-003 requirements. Changes or modifications not expressly approved by Fostex Company for compliance could void the user's authority to operate the equipment. **DO NOT MODIFY THIS PRODUCT.**

### 2. IMPORTANT

In order to comply with FCC and ICES-003 requirements, use high quality shielded cables for connection to accessories and / or another products. If any cables are supplied with this product, they **MUST** be used. Follow all installation instructions. Failure to do so could void your FCC/ICES-003 authorization to use this product in the USA/Canada.

### 3. NOTE

This equipment has been tested and found to comply with the limits for a Class B digital device, pursuant to Part 15 of the FCC Rules. These limits are designed to provide reasonable protection against harmful interference in a residential installation. This equipment generates, uses and can radiate radio frequency energy and if not installed and used in accordance with instructions, may cause harmful interference to radio communications. However, there is no guarantee that interference will not occur in a particular installation. If this equipment does cause harmful interference to radio or television reception, which can be determined by turning the equipment off and on, the user is encouraged to correct the interference by one or more of the following measures:

- Reorient or relocate the receiving antenna.
- Increase the separation between the equipment and receiver.
- Connect the equipment into an outlet on a circuit different from that to which the receiver is connected.
- Consult the dealer or an experienced radio/TV technician for help.

### 4. Compliance with Part 15 of FCC Rules and Canadian ICES-003.

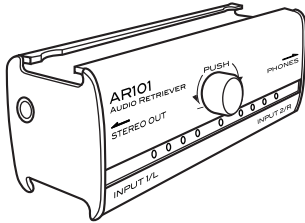
This device complies with Part 15 of the FCC Rules. Operation is subject to the following two conditions: (1) This device may not cause harmful interference, and (2) this device must accept any interference received, including interference that may cause undesired operation.

This Class B digital apparatus complies with Canadian ICES-003.

Cet appareil numérique de la classe B est conforme à la norme NMB-003 du Canada.

# Supplied accessories

1. Main Unit



2. Microphones×2

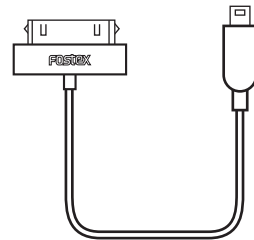
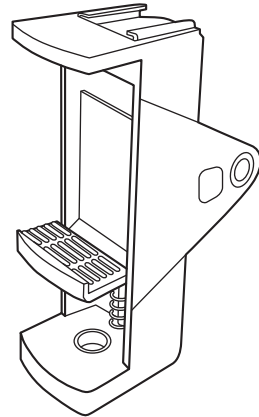


4. Joint



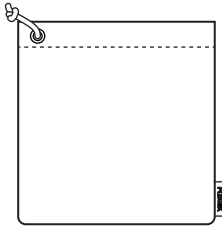
5. Grip

3. Holder

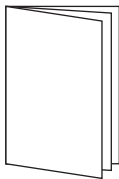


6. 30pin Dock Cable

## Others



Pouch



Owner's manual

※After purchasing the AR101, check that all accessories are included in the package.

# Specifications

- Supplied power voltage for a plug in microphone:2.5V
- USB power voltage:5V
- External dimensions:83(W)× 31(H)× 33(D)mm
- Weight:60g
- Specifications and appearance are subject to change without notice for product improvement.
- iPhone, Lightning-30 adaptor is a trademark of Apple Inc., registered in the U.S. and other countries.

## Connection Cable

If you are using an iPhone5 or iOS device equipped with Lightning connector, please use a genuine "Lightning to 30pin Adaptor".

# AR101

## AUDIO RETRIEVER

## PRODUCT SUMMARY

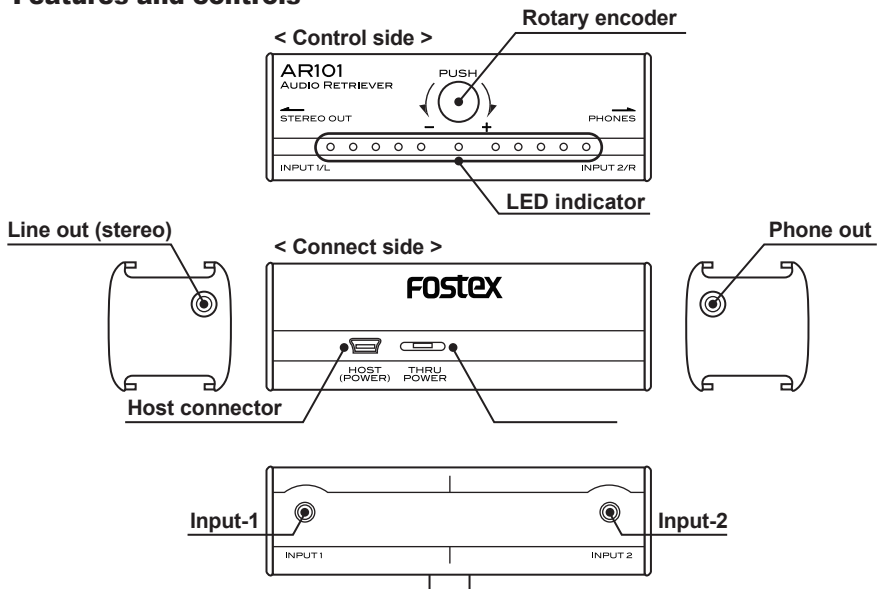
### ABOUT AR101

The AR101 is a device to collect sound, appropriately adjust the input level and PAN. The AR101 is a USB device compatible with the iOS device, smartphone and PC (referred to as “host device” below). Also it can be used with a device that has line or mic level analog input, such as digital camera (referred to as “analog device” below).

### Main Characteristics

- Input and Output sound digitally transferred for a variety of host devices including iOS devices.
- Comes with two inputs for plug-in power microphones that adjust the level independently.
- Equipped with a headphone output and stereo output, which can be used to send sounds to the host device.
- LED indicator that makes it possible to display voice level of the left and right channels independently.
- Equipped with a cold shoe rail on the top and bottom of the unit for mounting external accessories .
- Possible to charge iOS devices using the external battery pack.

### Features and controls



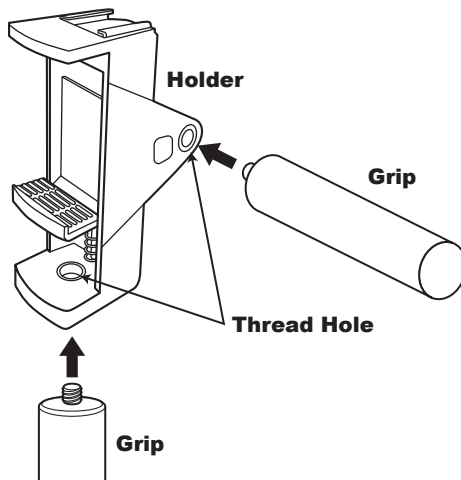
# Recording with iPhone-1

## Steps for recording using the iPhone:

### How to assemble:

#### ① Attach the grip to the holder

Thread to attach the grip are provided at the two locations in holder.  
Please select the thread hole according to device.

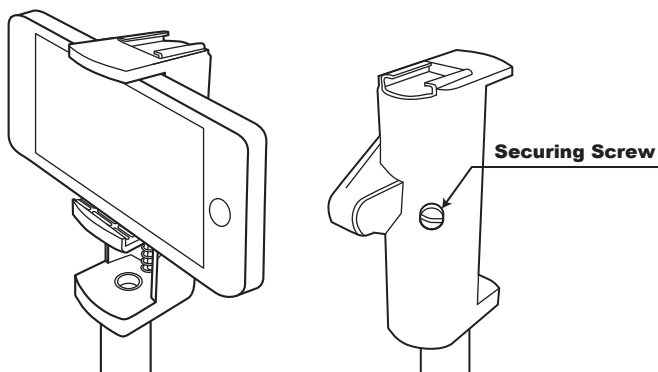


#### ② Attaching to the iPhone

Installing the iPhone in the holder

Tighten the screws to secure the iPhone in order to prevent it from falling.

**[Caution]** Please be careful not to apply strong mechanical shock to the holder as there is a possibility of iPhone falling.



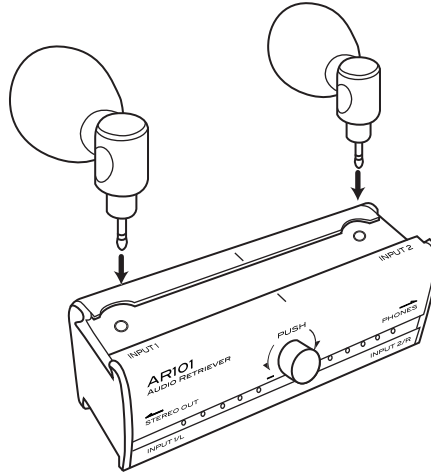
# CASE 1

## Recording with iPhone-2 Steps for recording using the iPhone:

### Attaching the microphone

#### ③ Attaching the microphone

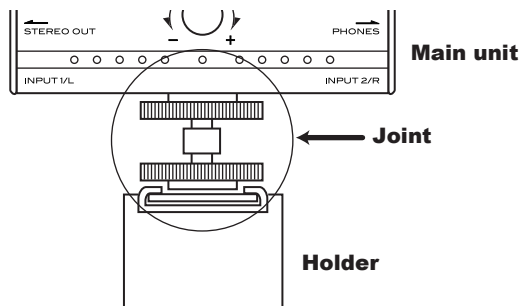
Attach the microphone to the main unit.



### Body mounting

#### ④ Attach the main unit to the holder

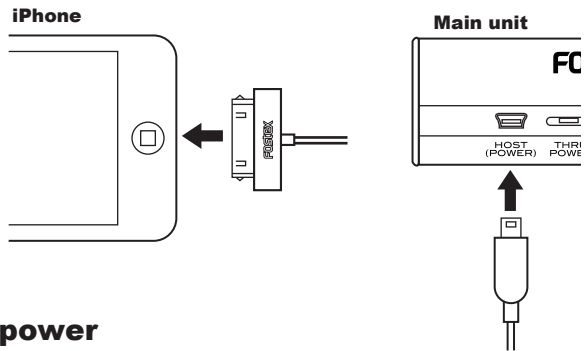
Install the main unit to the holder with the joint.  
Insert the joint to each cold shoe rail. Ensure that it fits tightly.



## Connecting cable

### ⑤ Connecting iPhone to main unit

Connect 30pin Dock cable that comes with AR101.

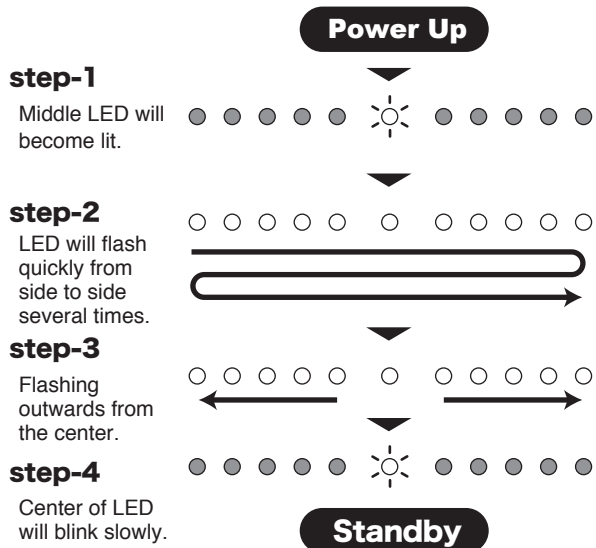


## Turn on the power

### ⑥ Turn on the iPhone

When turning your iPhone on, power will be supplied to the main unit. The LED indicator will display as shown below indicating that main unit has become stand by mode.

Then, start the iPhone camera application.



# CASE 1

## Recording with iPhone-3 Steps for recording using the iPhone

### Recording mode

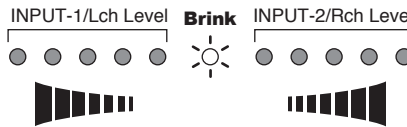
#### ⑦ Switch to video mode on iPhone

When switching to video mode, the AR101 will become recording mode. Then, the LED indicator on the microphone input level will be shown.

<iPhone>



<LED indicator>



#### ⑧ Adjust the volume of the microphone.

You can adjust the overall volume using the rotary encoder, when it is in recording mode. Turn clockwise, to increase the volume and turn counter clockwise to decrease the volume.

Use headphones to monitor and adjust to the appropriate volume level.

When in this adjusting mode, the LED indicator will blink red on the furthest right.

As the volume is increased, the orange LED indicator will increase from the left to match the volume.

Volume Down



Volume Up



<LED indicator>

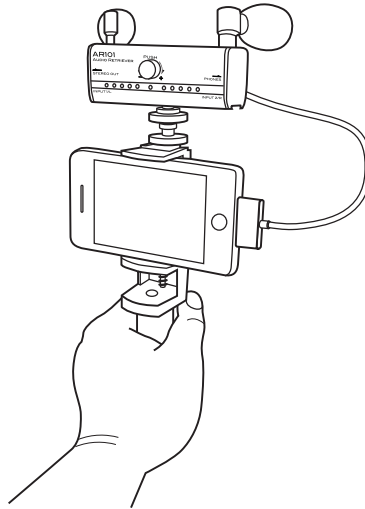




## Record

### 9 To start recording video on the iPhone.

The iPhone can record excellent sound quality using the AR101 when you start filming video.

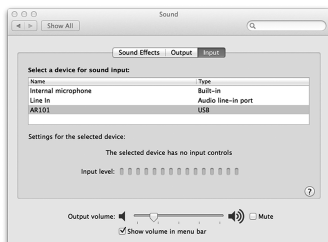


#### Easy setting with iOS apps!

Use of dedicated AR101 iOS application will make the setting easy.  
For those using iOS devices, these applications are available at the App Store.

## CASE 2

### Recording by using Mac computer How to record using computer audio interface



#### 1 Connect the AR101 to Mac using USB cable.

(The USB cable not included in the AR101)

Prepare the cable, connect AR101 to computer using USB cable.

#### 2 Change input device

Please select the AR101, clicking the tag "input" on Apple menu → preference → sound.



## Declaration of EC Directive

This equipment is compatible with the EMC Directive (2004/108/EC) - Directive on approximation of member nation's ordinance concerning the electromagnetic compatibility and with the Low Voltage Directive (73/23/EEC) - Directive on approximation of member nation's ordinance concerning electric equipment designed to be used within the specified voltage range.

### The Affect of Immunity on This Equipment

The affect of the European Specification EN61000-6-1 (coexistence of electromagnetic waves - common immunity specification) on this equipment are as shown below.

In the electrical fast transient/burst requirements, surge, conducted disturbances by radio-frequency fields, power frequency magnetic field, radiate electromagnetic field requirements and static electricity discharging environment, this could be affected by generation of noise in some cases.

### FOSTEX DISTRIBUTORS LIST IN EUROPE

\* Including non-EU countries (as of July 2011)

#### <AUSTRIA>

NAME: Mega Audio GmbH  
ADD: Stromberger Str. 32, D-55411 Bingen, Germany  
TEL: (+49) 6721-94330, FAX: (+49) 6721-32046

#### <BELGIUM>

NAME: General Audio  
ADD: Raymond Pelgrimslaan 101, B-1702 Groot-Bijgaaden, Belgium  
TEL: (+32) 2-4630650, FAX: (+32) 2-4661500

#### <BULGARIA>

NAME: Shark Art  
ADD: 15 Hristo Popovich Str., Varna 9000, Bulgaria  
TEL: (+359) 52-600172, FAX: (+359) 52-250578

#### <CZECHO>

NAME: Praha Music Center spol s.r.o.  
ADD: Ocelarska 937/39, Praha 9, 190 00, Czecho  
TEL: (+420) 226-011-111, FAX: (+420) 226-011-112

#### <DENMARK>

NAME: Benum Nordic A/S  
ADD: Meterbuen 18, Skovlunde, 2740 Denmark  
TEL: (+45) 4451-8900, FAX: (+45) 4451-8911

#### <FINLAND>

NAME: Noretron Oy Audio  
ADD: P. O. Box 22, FIN-02631 Espoo, Finland  
TEL: (+358) 9-5259330, FAX: (+358) 9-52593352

#### <FRANCE>

NAME: Sennheiser France  
ADD: 128 bis, avenue Jean-Jaures, 94851 Ivry-sur-Seine Cedex, France  
TEL: (+33) 1 4987 0300, FAX: (+33) 1 4987 0324

#### <GERMANY>

NAME: Mega Audio GmbH  
ADD: Stromberger Str. 32, D-55411 Bingen, Germany  
TEL: (+49) 6721-94330, FAX: (+49) 6721-32046

#### <GREECE>

NAME: Bon Studio S. A.  
ADD: 6 Zaimi Street, Exarchia, 106.83 Athens, Greece  
TEL: (+30) 210-3809-605, 606, 607, 608  
FAX: (+30) 210-3845-755, 210-3827-868

#### <HUNGARY>

NAME: ATEC Hungary Kft  
ADD: H-110/Budapest, Fogado u. 3, Hungary  
TEL: (+36) 1-4319005, FAX: (+36) 1-4319006

#### <ICELAND>

NAME: I. D. elrf. electronic Ltd.  
ADD: ARMULA 38 108 REYKJAVIK, ICELAND  
TEL: (+354) 588 5010, FAX: (+354) 588 5011

#### <ITALY>

NAME: Proel S. p A.  
ADD: Zona Via Alla Ruena, 37/43 64027 - Sant' Omero (Teramo), Italy  
TEL: (+39) 0861-81241, FAX: (+39) 0861-887862

#### <THE NETHERLANDS>

NAME: IEMKE ROOS AUDIO B.V.  
ADD: Kuiperbergweg 20, 1101 AG Amsterdam, The Netherlands  
TEL: (+31) 20-697-2121, FAX: (+31) 20-697-4201

#### <NORWAY>

NAME: Siv. Ing. Benum AS  
ADD: P. O. Box 145, Vinderen, 0319 Oslo, Norway  
TEL: (+47) 2213 9900, FAX: (+47) 2214 8259

#### <POLAND>

NAME: Mega Music Spolka z o. o  
ADD: Ul. Lesna 15, 81-876 Sopot, Poland  
TEL: (+48) 58-551-18-82, FAX: (+48) 58-551-18-72

#### <SPAIN>

NAME: Letusa S. A.  
ADD: C/Laguna 10, 28923 Alcorcon, Madrid, Spain  
TEL: (+34) 91-4862800, 91-4470898, FAX: (+34) 91-6414597

#### <SWEDEN>

NAME: Benum Nordic A/S  
ADD: Aldermansvagen 17, 171 48 Solna, Sweden  
TEL: (+46) 8 207710

#### <SWITZERLAND>

NAME: Audio Bauer Pro AG  
ADD: Bernerstrasse-Nord 182, CH-8064 Zurich, Switzerland  
TEL: (+41) 1-4323230, FAX: (+41) 1-4326558

#### <UK>

NAME: SCV London  
ADD: 40 Chigwell Lane, Oakwood Hill Industrial Estate, Loughton,  
Essex IG10 3NY U.K.  
TEL: (+44) 20-8418-0778, FAX: (+44) 20-8418-0624

**Fostex** **FOSTEX CO.**

1-1-109, Tsutsujigaoka, Akishima-shi, Tokyo Japan, 196-8550

© PRINTED IN CHINA May 2013 8289688000 572037