



PWMA600 Wireless Amplifier

PWMA3600 Wireless Amplifier

Owner's Manual

Your new Pyle Pro PWMA Series Wireless Amplifier system is designed to enable you to have high-quality, full-range audio amplification where AC power is unavailable.

Each of these systems incorporates an FM receiver for receiving signal from the Pyle Pro PWMA-MIC Wireless Microphone.

In addition, each PWMA-series system accepts (PWMA-600 or PWMA-3600) wired microphone inputs, They also accomodate other such audio signal sources as tape players, CD players, VCR audio outputs or radios, which can be used alone or simultaneously with the microphones.

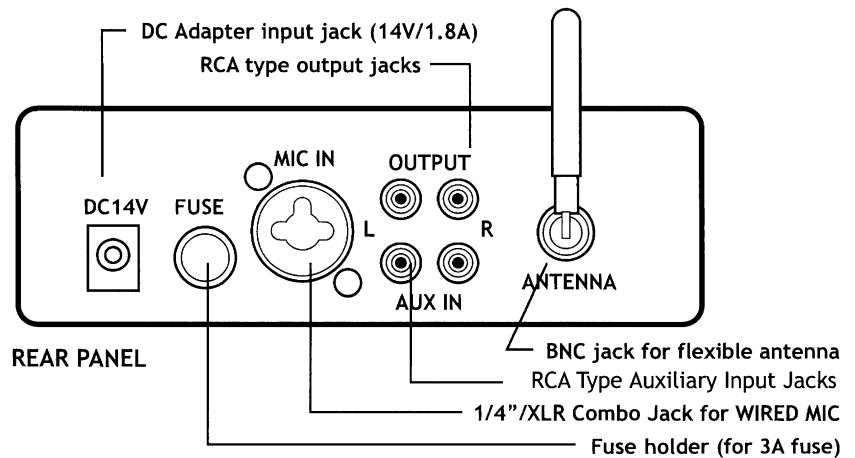
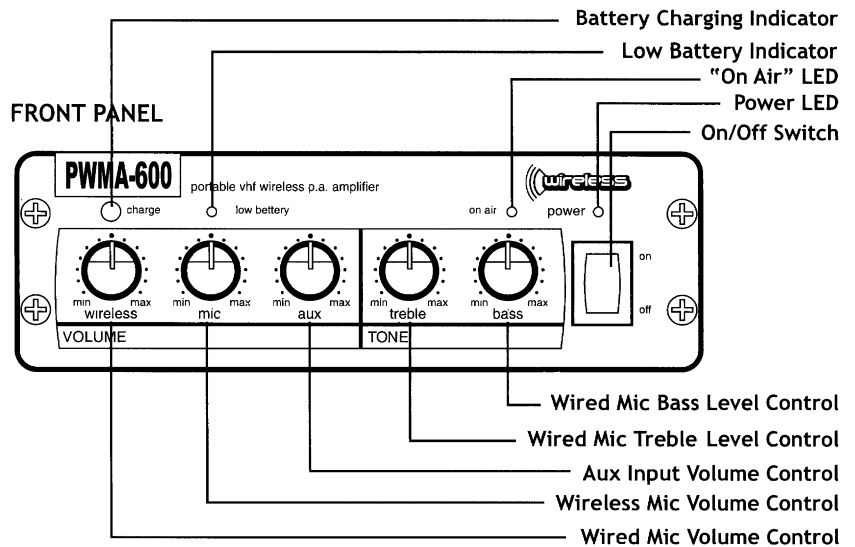
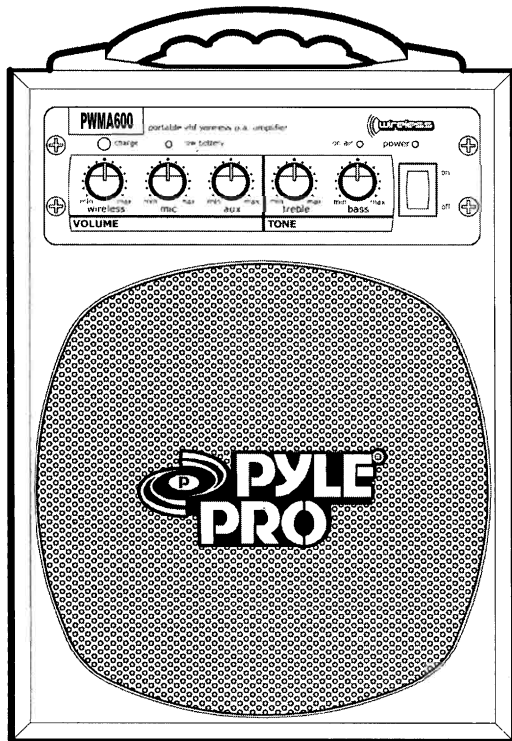
TABLE OF CONTENTS

- i Features and controls, PWMA-600
- 1 Features and controls, PWMA-3600
- 1 Setting up for use with a wireless microphone
- 1 Using the amplifier with a wired microphone
- 1 Using the amplifier with an auxiliary input source
- 2 Recharging the batteries
- 2 Adding an additional speaker (PWMA-3600)
- 2 Sending the audio to another destination (PWMA-3600)
- 2 Using the wireless mic PWMA-MIC
- 2 Inserting/changing the wireless mic batteries
- 2 Turning on the wireless mic
- 3 Caring for your Pyle Pro amplifier
- 3 Replacing the fuse
- 3 Specifications

Please read this manual thoroughly before you attempt to set up and use the amplifier. It contains a range of installation suggestions as well as instructions to ensure safe usage. Installed properly, you can expect years of trouble-free service from this product.



FEATURES AND CONTROLS, PWMA-600



SET UP GUIDELINES

Setting up for use with a wireless microphone

Since this system features a rechargeable battery for power, you will never need to plug in before use, except when the battery requires recharging. Follow these instructions when setting up.

1. Before turning on power, turn all volume controls to the "0" position.
2. Check that the flexible rubber antenna provided is attached to the BNC connector on the rear panel (front panel of PWMA-3600). For best results, start with the antenna pointing up.
3. Turn the wireless microphone ON. The Power LED on the mic will be illuminated.
4. Push the power switch on the front panel of the amplifier to the ON position. The Power LED on the amplifier will be illuminated.

When the receiver in the amplifier is receiving signal from the mic, the "On Air" LED on the amplifier will be illuminated. If this does not occur, it is possible that the batteries need replacing in the mic.

5. Move the microphone to the location that speaking will occur, and have an assistant increase the amplifier's wireless mic volume control as the situation demands.
6. Adjust the bass and treble controls as needed.

Using the amplifier with a wired microphone

Follow set up guidelines above, except plug the wired microphone into the wired mic input jack. These amplifiers feature combo mic input jacks which can accept either XLR-type or 1/4" input jacks.

The PWMA-3600 feature two such connectors. In the case of the PWMA-3600 they are located on the front left panel. The PWMA-600 has a single combo jack located on the rear panel.

Adjust the microphone volume(s) with the wired microphone volume control(s). Please note that you can adjust the level of the wired mics separately from the wireless mic, giving you a great deal of performance flexibility.

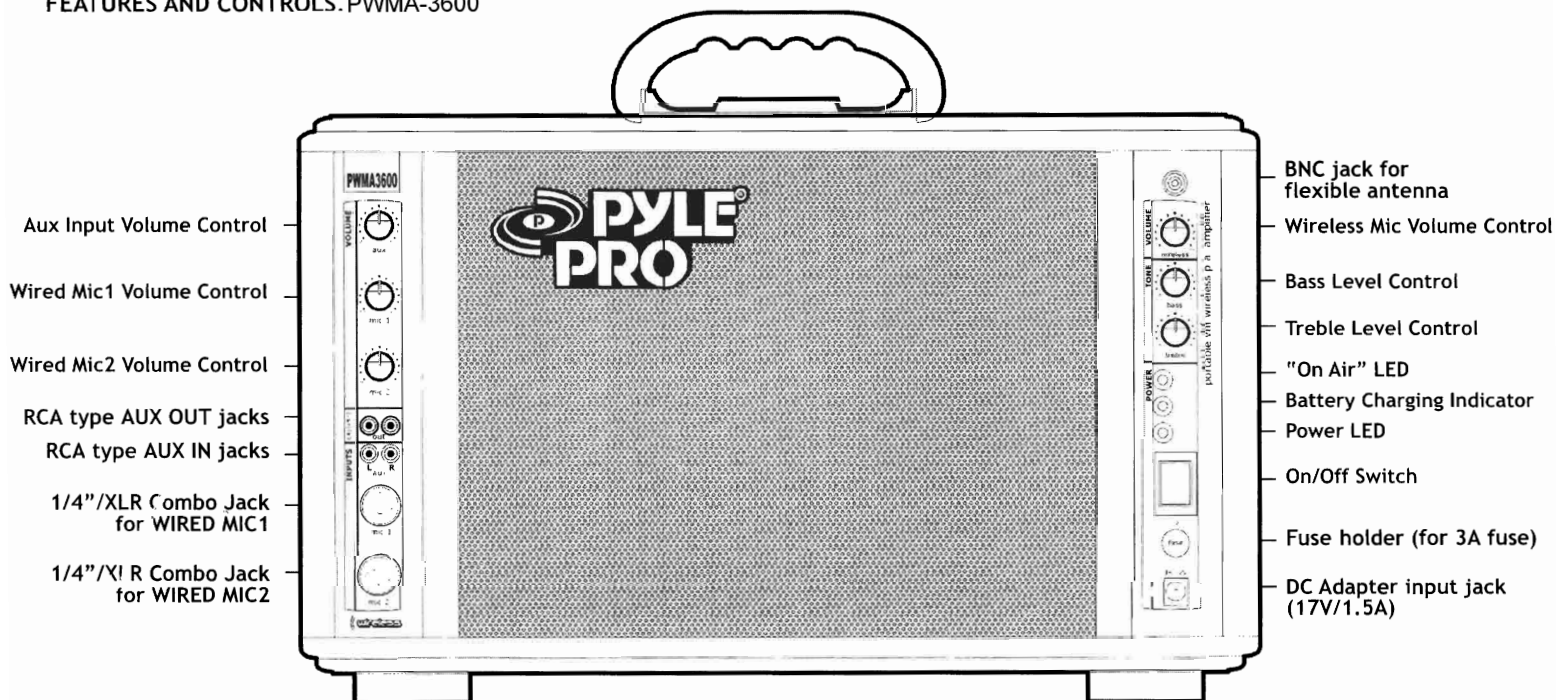
Using the amplifier with an auxiliary input source

You can use these systems to amplify audio signals from any high level source such as tape players, CD players, VCR audio outputs, etc. (An audio product which has a volume control is usually a high level audio source.)

Use RCA-type patch cords to connect the audio outputs from the audio source to the RCA input jacks on the rear of the PWMA-600, or the left front panel of the PWMA-3600.

Please note that you can adjust the auxiliary volume independent of the two microphones, which opens up a range of performance opportunities.

FEATURES AND CONTROLS. PWMA-3600



Recharging the batteries

PWMA-600 model features a low battery indicator on the front panel which advises you of a low battery condition before it is too late. The LED will begin to flash when a low battery condition occurs.

PWMA-3600 model features a power indicator on the front panel which advises you of a low battery condition before it is too late. The LED will begin to flash when a low battery condition occurs.

Be sure to plug in the AC adapter to recharge when this occurs. Batteries recharge in about 4 hours, and usually last up to 10 hours between charges. During charging, the Charge LED will glow RED, and will turn GREEN when charging is complete.

Adding an additional speaker (PWMA-3600)

You can attach an additional speaker or pair of speakers to the rear of the PWMA-3600 to the terminals found on the rear panel. Be sure the total impedance across the terminals resulting from the addition of these speakers is in the 4-16 Ohm range.

Sending the audio signal to another destination

The PWMA-3600 feature a pair of RCA style audio output jacks, which enable you to take an audio signal fees out to another device.

This might be used, for example, in a situation where a person is performing outdoors where power is unavailable, but you also want to bring a feed indoors to a secondary or PA amplifier.

You can also record the audio from these jacks, which may be appropriate for a special occasion or event. When you do so, be sure to keep an eye on the recording levels on your recorder to avoid overdriving!

USE AND CARE OF THE PWMA-MIC WIRELESS MICROPHONE

Inserting/changing the batteries

The PWMA MIC uses a single 9v battery, which will provide about 8 hours of continuous usage, 12 hours if you use an alkaline battery.

To access the battery to change it, hold the mic by the grille in one hand, and unscrew the lower portion of the body. You will be able to slide the grille section away from the body, exposing a rectangular well which holds the battery.

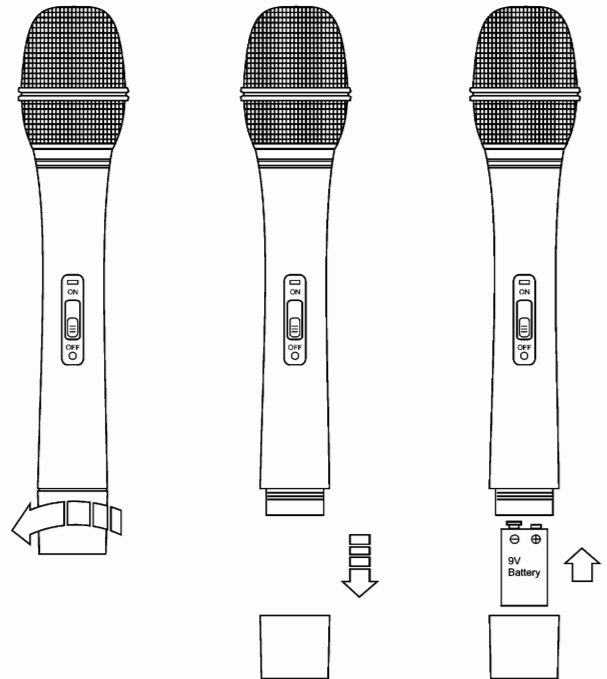
Noting the polarity, slide the battery into this well in the direction shown by an arrow on the label. Note that the battery should be oriented such that you insert the side with the (+) terminal first.

When the battery is fully contained within the well, slide closed the mic and screw the body firmly to the grille module.

Turning on the PWMA-MIC microphone

At the base of the mic (where the antenna protrudes) is a small Power switch with ON/OFF markings. To turn the mic on, slide the switch to ON. The red LED adjacent to the switch will be illuminated, indicating the mic is now on.

When you are done using the mic, be sure to turn it off to conserve battery power.



INSERTING THE BATTERY, PWMA-MIC



Caring for your Pyle Pro Amplifier

Your Pyle Pro Amplifier is an example of superior design and craftsmanship. The following suggestions will help you care for your amplifier so you can enjoy years of use:

- Keep the amplifier dry. If it gets wet, wipe immediately.
- Use the amplifier only in well-ventilated installations.
- Handle the amplifier gently and carefully - do not drop!
- Keep the amplifier away from dust and dirt.
- Wipe occasionally with a damp cloth to keep it looking new. Do not use harsh chemicals, solvents or detergents!

Replacing the fuse

Your amplifier employs a fuse for protection from power surges and short circuits. If the amplifier suddenly turns off or will not turn on, check the fuse, and if necessary, replace with the same kind and rating. You should also check and correct for a short or overload condition.

Amplifier Specifications	PWMA600	PWMA3600
Operating frequency	210-216 MHz	228.10 MHz
Frequency response	50Hz - 15 KHz +/- 2 dB	100Hz - 15 KHz +/- 3 dB
THD, @ 15 kHz	< 0.1%	< 1%
Dynamic range	90 dB	90 dB
Output power	50W	10W
Speaker type	6.5" full-range speaker	8" full range/2.5" tweeter
Internal battery	12V 3A	6V; 4A x 3
Recharge time/usable time	4 hrs/10 hrs	4 hrs/ 8 hrs
Weight, lbs (kg)	17.6 lbs (8)	30.5 lbs(13.85)
Dimensions, H x W x D, inches (mm)	11.6" x 7.9" x 6.2" (295 x 200 x 157)	23.8" x 10.2" x 13.4" (605 x 260 x 340)

Wireless Mic Specifications	PWMAMIC
RF Power Output	< 5 mW
Operating frequency	228.10 MHz
Max, acoustic pressure	136 dB spl
Power source	9v. battery
Battery Life	6 hours (10 hr alkaline)
Weight, with battery, oz. (g)	8.8 (250g)

