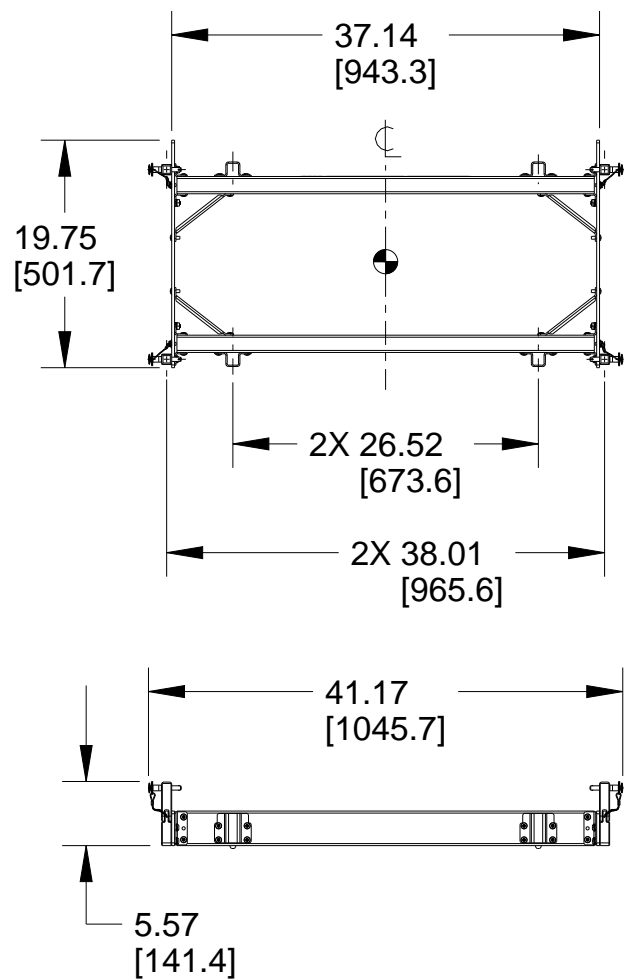

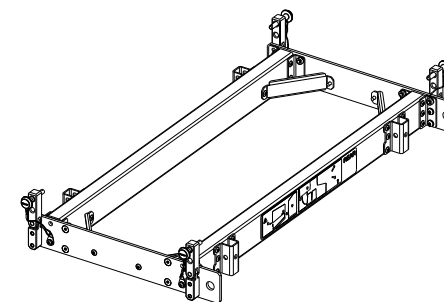
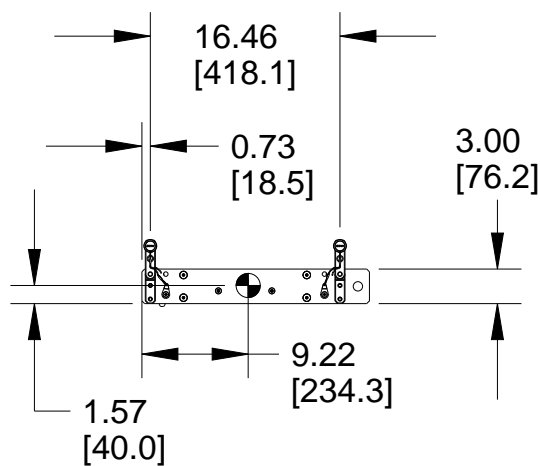


REV	CHANGE NUMBER	DATE
A	ECOWHT5668	7/8/09

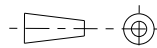


- NOTES:
1. SYMBOL  INDICATES CENTER OF BALANCE.
  2. WEIGHT APPROX. 38 lb [17 kg].



**AB7473**

THIRD ANGLE PROJECTION



THE INFORMATION CONTAINED  
HEREIN IS PROPRIETARY AND  
CONFIDENTIAL PROPERTY OF  
LOUD TECHNOLOGIES, INC.  
ALL RIGHTS RESERVED

UNLESS OTHERWISE SPECIFIED:  
ALL DIMENSIONS ARE IN INCHES  
DUAL [MM] DIMENSIONS  
FOR REF ONLY

TOLERANCE IN INCHES  
LINEAR  $\pm 0.13$  in /  $\pm 3.3$  mm  
ANGLES  $\pm 1^\circ$

(X.XX) = REF DIMS  
NO TOLERANCE IMPLIED

TSC = THEORETICAL SHARP CORNER

DIMENSIONS ACROSS CENTERLINES  
TO BE SYMMETRICAL

**EAW** www.eaw.com

TITLE:  
**DWG CUSTOMER AB7473**  
**[MECHANICAL SPECIFICATION]**

**A**

SHEET 1 OF 1

SCALE:  
0.060

DRAWING NUMBER:

0032851-CD

REVISION:

A

4 PRO ENGINEER