



Quam

**8C10PAX**

**PUBLIC ADDRESS**

8" O.D. dual cone loudspeaker,  
10 oz. magnet, 8Ω impedance



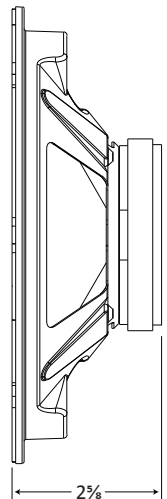
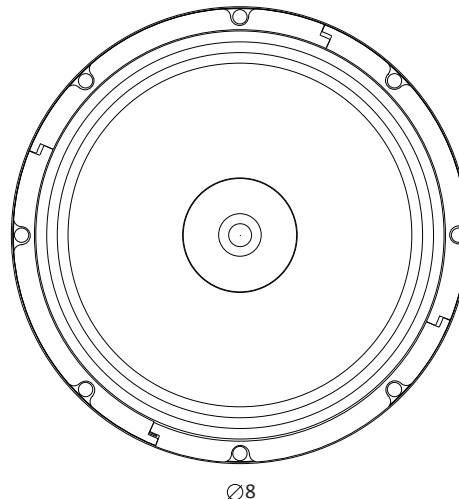
The 8C10PAX is an 8" O.D. dual cone loudspeaker with a 10 oz. magnet, and an 8 Ohm nominal impedance. Frame has a black powder coat finish.

**INTENDED USE**

Indoor Environment	
Program Material	Signal tones, voice and music

**AUDIO SPECIFICATIONS**

Average Sensitivity	95 dB SPL, 1W/ 1M
Loudspeaker Power Rating	20W RMS, EIA 426A Standard
Calculated Output	102 dB SPL, 5W/ 1M
Magnet Type & Weight	BeFe Ceramic, 10 oz. Nominal
Frequency Response	60 Hz - 17 kHz EIA 426A Standard
Nominal Coverage Angle	100° Included Angle, -6 dB / 2 kHz, Half space
Audio Connection	0.205" Spade lug



Recommended construction sequences, installation instructions, and A&E Specifications are available in various formats in the QUAM Architects' and Engineers' Resources section on the web at: [www.QuamSpeakers.com](http://www.QuamSpeakers.com)

© 2013 Quam-Nichols Company reserves the right to make changes and/or improvements to its products at any time and without notice.



QUAM-NICHOLS COMPANY, INC.  
234 East Marquette Rd.  
Chicago, IL. 60637  
Tel: 1-800-NEED-NOW (800-633-3669)  
Fax: 1-888-NEED-NOW (888-633-3669)  
e-mail: [NeedNow@QNC.com](mailto:NeedNow@QNC.com)  
[www.QuamSpeakers.com](http://www.QuamSpeakers.com)