

DIGITAL PROJECTOR

MX503

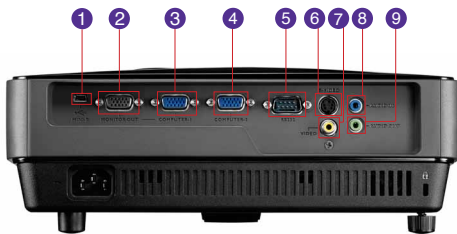


Features

- Native XGA Resolution (1024x768)
- 2700 ANSI Lumens; 13000:1 Contrast Ratio
- BrilliantColor™, Long Lamp Life
- High Contrast Ratio, 3D Ready
- Virtually Color Decay Free; SmartEco™



Input and Output Terminals



- | | |
|-----------------------------|----------------------------|
| 1 USB (Mini-B) | 6 S-Video (Mini DIN 4-pin) |
| 2 Monitor Out (D-sub 15pin) | 7 Video Out (RCA Jack) |
| 3 Computer-1 (D-sub 15pin) | 8 Audio In (Mini Jack) |
| 4 Computer-2 (D-sub 15pin) | 9 Audio Out (Mini Jack) |
| 5 RS232 (DB-9pin) | |

Specifications

Projection System	DLP
Native Resolution	XGA(1024 x 768)
Brightness	2700 ANSI lumens
Contrast Ratio	13000:1
Display Color	1.07 Billion Colors
Lens	F=2.56-2.8, f=21-23.1mm
Aspect Ratio	Native 4:3 (5 aspect ratio selectable)
Throw Ratio	1.86 - 2.04 (53" @ 6.6 ft)
Image Size Diagonal	40"-300"
Zoom Ratio	1.1:1
Lamp Type	190W
Lamp Life	4500/6000/6500 hours (Normal/Eco/SmartEco Mode)*
Keystone Adjustment	1D, Vertical +/- 40 degrees
Projection Offset	120% ±5%
Resolution Support	VGA(640 x 480) to UXGA(1600 x 1200)
Horizontal Frequency	31K~102KHz
Vertical Scan Rate	23~120Hz
Compatibility	HDTV Compatibility: 480i, 480p, 576i, 576p, 720p, 1080i, 1080p Video Compatibility: NTSC, PAL, SECAM 3D Compatibility: PC: 120Hz Frame Sequential 3D for resolutions up to WXGA.
Interface	Computer In (D-Sub 15pin) x2 (shared with Component) Monitor Out (D-Sub 15 pin) x1 Composite Video In (RCA) x1 S-Video In (Mini DIN 4pin) x1 Audio In (Mini Jack) x1 Audio Out (Mini Jack) x1 Speaker 2W x1 USB (Type Mini-B) x1 (Download & page up/down) RS232 (DB-9Pin) x1
Dimensions (WxHxD)	11.31" x 4.5" x 9.15"
Weight	5.29lbs (2.3kg)
Power Supply	AC 100 to 240 V, 50/60 Hz
Power Consumption	275W, Standby<0.5W
Audible Noise	33/26 dBA (Normal/Economic mode)
On-Screen Display Languages	English/ France/ Germany/ Italian/ Spanish/ Russian/ Traditional Chinese/ Simplified Chinese/ Japanese/ Korean/ Swedish/ Dutch/ Turkish/ Czech/ Portuguese/ Thai/ Polish/ Hungarian/ Croatian/ Romanian/ Norwegian/ Danish/ Bulgaria/ Finnish/ Indonesian/ Greek/ Hindi/ Arabic (28 Languages)
Picture Mode	Dynamic/Presentation/sRGB/Cinema/User 1/User 2
Accessories (Standard)	Remote Control w/ Battery, Power Cord, User Manual CD, Quick Start Guide, Warranty Card, VGA (D-sub 15 pin) Cable
Accessories (Optional)	Spare Lamp Kit P/N: 5J.J6D05.001 Ceiling Mount P/N: 5J.J2K01.001 3D Glasses P/N: 5J.J0T14.011 Carrying Bag P/N: 5J.J3925.001 P/N: 5J.J3T09.001
UPC Code	8400460-2473-4
Limited Warranty	1 year parts & labor; 1 year or 2000 hours of lamp life

*Lamp life results will vary depending on environmental conditions and usage. Actual product's features and specifications are subject to change without notice.

MX503 04-16-12-BQus



BenQ America Corp.

15375 Barranca Parkway, Suite A-205, Irvine, CA 92618 Tel: (949) 255-9500 www.BenQ.us

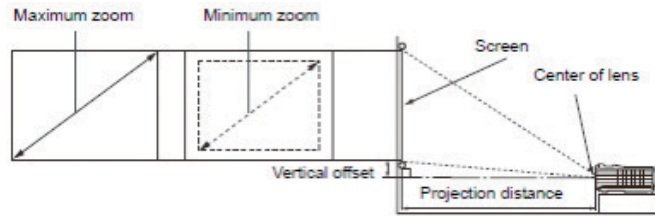
BenQ is a registered trademark of BenQ Corp. DLP is a registered trademark of Texas Instruments. All rights reserved. Product names, logos, brands, and other trademarks featured or referred to in this materials are the property of their respective trademark holders. Specifications subject to change without notice.



Enjoyment Matters

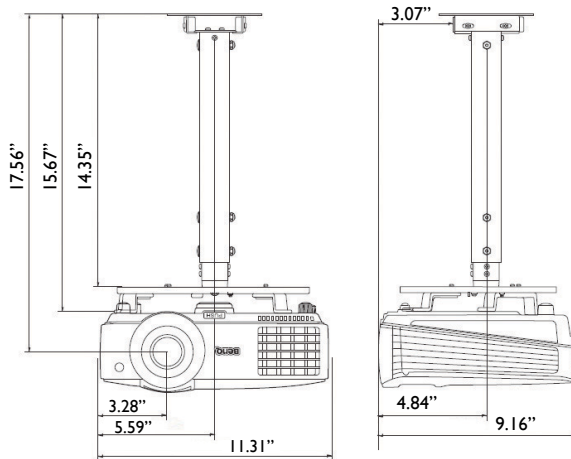
MX503 Digital Projector

Distance Chart

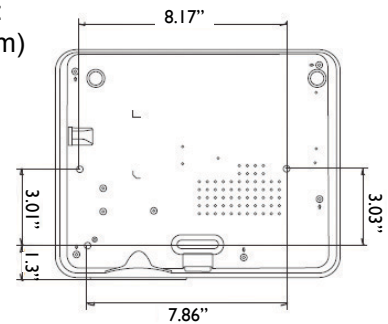


Screen Size				Distance from screen (inch)			Vertical offset (inch)
Diagonal		W (inch)	H (inch)	Min length Max zoom	Average	Min length Max zoom	
Inch	mm						
30	762	24	18	44.57	46.81	49.02	1.81
40	1016	32	24	59.40	62.40	65.35	2.40
50	1270	40	30	74.29	78.00	81.69	2.99
60	1524	48	36	89.13	93.58	98.07	3.58
80	2032	64	48	118.86	124.80	130.75	4.80
100	2540	80	60	148.58	155.98	163.43	5.98
120	3048	96	72	178.27	187.20	196.10	7.20
150	3810	120	90	222.83	233.98	245.12	9.02
200	5080	160	120	297.13	312.01	326.85	12.01
220	5588	176	132	326.85	343.19	359.53	13.19
250	6350	200	150	371.42	390.00	408.54	15.00
300	7620	240	180	445.71	467.99	490.28	17.99

Ceiling Mount Chart



Ceiling Mount Screw:
M4 x 8 (Max L = 8 mm)



Units: inch

Dimensions

