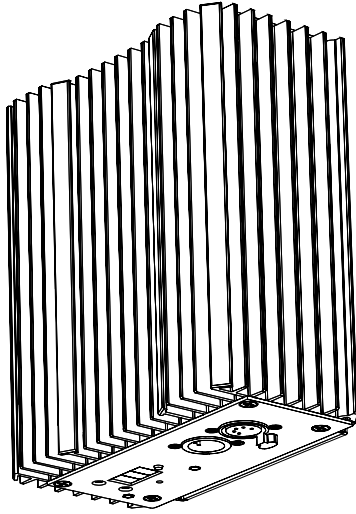


100V 115/120V 230/240V

Distributed Dimming™ Series



GENERAL INFORMATION

Using ETC's Electronic Silent* (ES) technology and a convection-cooled design, this high-performance dimmer can be used with any 750W or less tungsten fixture. By taking DMX control signals directly, this self-dimming tungsten fixture can now reside alongside LEDs and moving lights, allowing system designs to focus on switched power and data distribution instead of centralized dimming systems.

APPLICATIONS

- Applications requiring distributed dimming and position flexibility:
 - Theaters
 - Hybrid incandescent, LED and discharge systems
 - Industrial productions
 - Rentals
 - Conference and exhibition centers
 - Multi-use venues such as schools and meeting rooms

FEATURES

- ES Dimming technology
 - Produces no lamp noise (Exceeds all risetime specs)
 - Electronics sound-pressure level less than 0dBA at 1meter
 - Convection-cooled
- ANSI E1.20 RDM and ANSI E1.11 DMX512A
- Yoke-mount and pipe-mount brackets included, direct-mounting on a fixture yoke or to a pipe in multiple orientations to accommodate maximum flexibility (C-Clamps sold separately)
- Local operation
 - One-press dim to FULL for easy focusing (press again to release to DMX input)
 - Up and down level control
 - Returns to previous level after power loss

*Sound level pressure falls below minimum audible field 0-20kHz @ < 1 meter from unit

ORDERING INFORMATION

ES750 Dimmer

MODEL	DESCRIPTION
ES750	Electronic Silent Dimmer; 750 watt

SPECIFICATIONS

GENERAL

- Designed for use with all tungsten fixtures up to 750 watts
- Electronic Silent technology for operation free of dimmer- and lamp-filament noise
- Changes your fixture into a truly distributed fixture with onboard dimming and control
- Electronic Dimming with harmonic and noise suppression
 - Acoustic specification replaces dimmer rise time

MECHANICAL

- Manufactured of epoxy-painted aluminum body and anodised aluminum heat sink
- Multiple yoke-fixing hole combinations for flexible mounting to the fixture
- Convection-cooled; operates without cooling fans
- Available in three colors: Black, White, or Silver

ELECTRICAL

- Input power feed:
 - Suggested breaker sizing: 20A
 - Voltage ranges: 85-140V, 180-260V
 - Frequency range: 47-63Hz
- 115V output regulation options for 208V operation:
 - Acoustic specification replaces risetime
- Bare-end or connectorized power cable input (Edison, Stage Pin, or Twist)
- Bare-end or connectorized power cable output (Edison, Stage Pin, or Twist)
- 2500V isolation between control and power components
- Max output 750W
- DMX* In and Thru
- DMX thru is not self-terminating
- Electronic overcurrent protection

*Represents 1/4 unit device load for purpose of calculating DMX daisy-chain device count (max 32 unit devices per DMX chain)

THERMAL

- Maximum ambient temperature 104°F
- Humidity between 10 - 95%, non-condensing
- Convection-cooled
- Optimum cooling when mounted with heatsink fins in vertical position
- 171 Btu at full load



Distributed Dimming™ Series

SPECIFICATIONS

CONTROL FEATURES

- DMX512A/RDM In and Thru via 5-Pin XLR connectors
- Supports up to 32 units on one DMX line
- RDM features:
 - Discover (flashes light output)
 - Find and set DMX address
 - Change curve
 - Receive overcurrent/undercurrent warnings
 - Receive overtemperature warning
- Three-button local control: Focus/test, up and down
 - Single button dim to full for focus
 - Up/down buttons for setting DMX address or for local intensity control
- One status indicator: Multicolor LED for power, error and valid DMX
- Three selectable dimmer output curves:
 - IES modified square law
 - Linear
 - Switched (50% threshold)

PHYSICAL

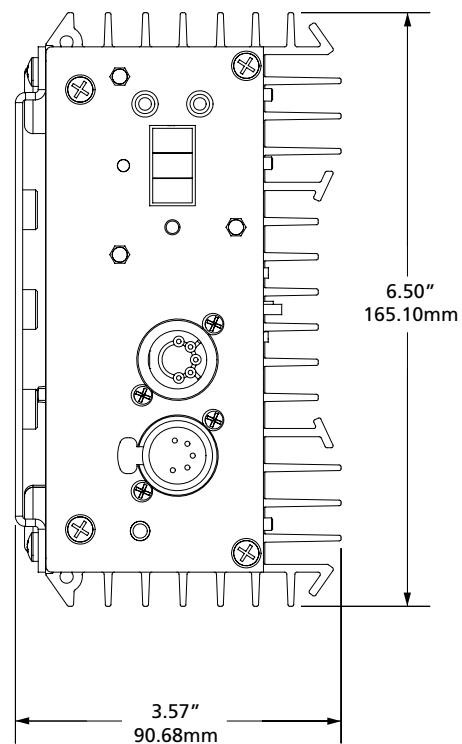
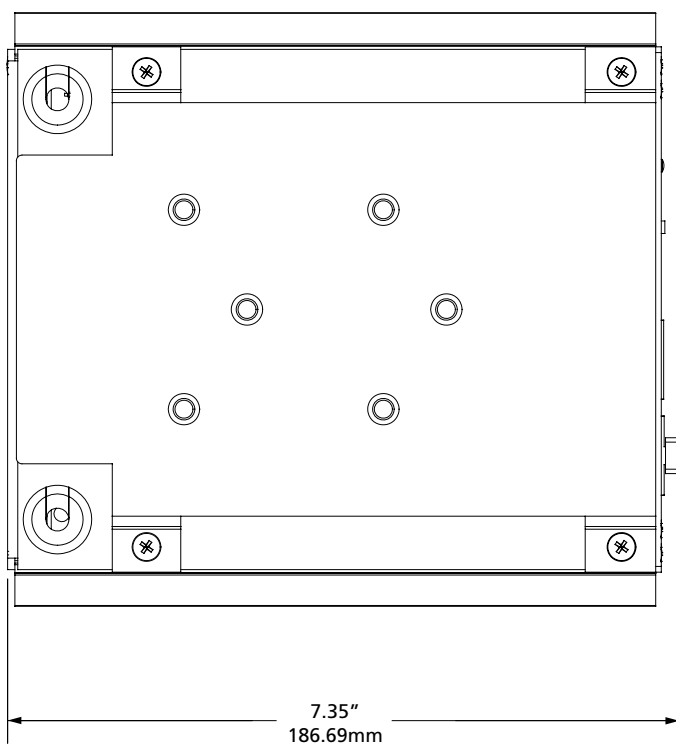
ES750 Dimensions*

MODEL	HEIGHT		WIDTH		LENGTH	
	inches	mm	inches	mm	inches	mm
ES750	6.50	165.10	3.57	90.68	7.35	186.69

ES750 Weights*

MODEL	WEIGHT		SHIPPING WEIGHT	
	lbs	kg	lbs	kg
ES750	4	1.8	6	2.7

*Weights and dimensions typical



Corporate Headquarters • 3031 Pleasant View Rd, PO Box 620979, Middleton WI 53562 0979 USA • Tel +1 608 831 4116 • Fax +1 608 836 1736
London, UK • Unit 26-28, Victoria Industrial Estate, Victoria Road, London W3 6UU, UK • Tel +44 (0)20 8896 1000 • Fax +44 (0)20 8896 2000
Rome, IT • Via Pieve Torina, 48, 00156 Rome, Italy • Tel +39 (06) 32 111 683 • Fax +44 (0) 20 8752 8486
Holzkirchen, DE • Ohmstrasse 3, 83607 Holzkirchen, Germany • Tel +49 (80 24) 47 00-0 • Fax +49 (80 24) 47 00-3 00
Hong Kong • Room 1801, 18/F, Tower 1 Phase 1, Enterprise Square, 9 Sheung Yuet Road, Kowloon Bay, Kowloon, Hong Kong • Tel +852 2799 1220 • Fax +852 2799 9325
Web • www.etconnect.com • Copyright©2013 ETC. All Rights Reserved. All product information and specifications subject to change. 7145L1002 Rev. C Printed in USA 1/13