

Product Specification

	TH-103PB1U	TH-85PB1U	
DISPLAY	Screen Size (Diagonal)	102.5-inch(2,603 mm)	85.3-inch(2,167 mm)
	Aspect Ratio	16:9	
	Effective Display Area (WxH)	89.3"x 50.2"(2,269 x 1,276 mm)	74.3"x 41.8"(1,889 x 1,062 mm)
	Number of Pixels (H x V)	1,920 x 1,080 pixels	
	Pixel Pitch (HxV)	0.046"x 0.046"(1.182 x 1.182 mm)	0.0387"x 0.0387"(0.984 x 0.984 mm)
	Contrast Ratio*1	40,000:1	
	Gradation	6,144 Steps (Equivalent)	
	Panel Life*2	Approx. 100,000 Hours	
	Touch Technology	Plasma Light Detection System	
	CONNECTION TERMINAL	Video In	BNC x 1
Audio In (L/R)		RCA x 1 set (Shared with Component/RGB In)	
Component/RGB In		BNC x 3	
Audio In (L/R)		RCA x 1 set (Shared with Video In)	
HDMI In		HDMI Type A Connector x 1	
DVI-D In		DVI-D 24-pin x 1	
Audio In (L/R)		M3 Jack x 1 (Shared with PC In)	
PC In		Mini D-sub 15-pin x 1, Plug & Play (VESA DDC 2B)	
Audio In (L/R)		M3 Jack x 1 (Shared with DVI-D In)	
Audio Out (L/R)		RCA Pin Jack x 2	
ELECTRICAL	Power Requirements	AC 200 V-240 V 50 Hz/60 Hz	AC 120V 50 Hz/60 Hz
	Power Consumption	1,310 W	1,170 W
	On Mode Average Power Consumption*3	Approx. 730 W	Approx. 630 W
	Power off Condition	Approx. 0.3 W	Approx. 0.2 W
	Stand-by Condition	Approx. 0.5 W	Approx. 0.4 W
SOUND	Internal Speaker Output	8 Ω 20 W [10 W+10 W] (10% THD)	
	MECHANICAL	Dimensions (W x H x D) (2,412 x 1,419 x 123*4 mm)	79.4"x 47.1"x 3.9" (2,015 x 1,195 x 99 mm)
ENVIRONMENTAL	Operating Environment	Temperature: 32°F to 104°F (0°C to 40°C), Humidity: 20% to 80% (Non condensation), Altitude: 0 to 7,800feet (0 to 2,400 m)	
		Cabinet Color	Black

*1: The dark-room contrast ratio of the panel unit that can be displayed simultaneously on the same screen. Measured in "Dynamic" picture mode using a white signal in a 4% window.
 *2: Guideline operating hours before the panel brightness is reduced to half when the panel is used to display motion pictures in the Standard mode. Afterimages (burned-in images) and malfunctions are not taken into consideration.
 *3: Based on IEC 62087 Ed. 2 measurement method.
 *4: 5.3"(134 mm) when including the protruding portion of slot.

Optional Accessories

Electronic Pen Kit TY-TPEN1PBU	Remote Pointer Kit TY-TPEN1RMU
Pedestal For 103-inch TY-ST103PF9	Easy Wireless Stick ET-UW100U
For 85-inch TY-ST85P12	Wireless Module ET-WM200U
Floor Stand For 85-inch TY-ST85PF12	Ceiling-hanging Bracket For 103-inch TY-CE103PS10
Wall-hanging Bracket For 103-inch TY-WK103PV9	Mobile Stand For 85-inch TY-ST85PB1
For 85-inch TY-WK85PV12	

Panasonic

ideas for life

Interactive Plasma Displays

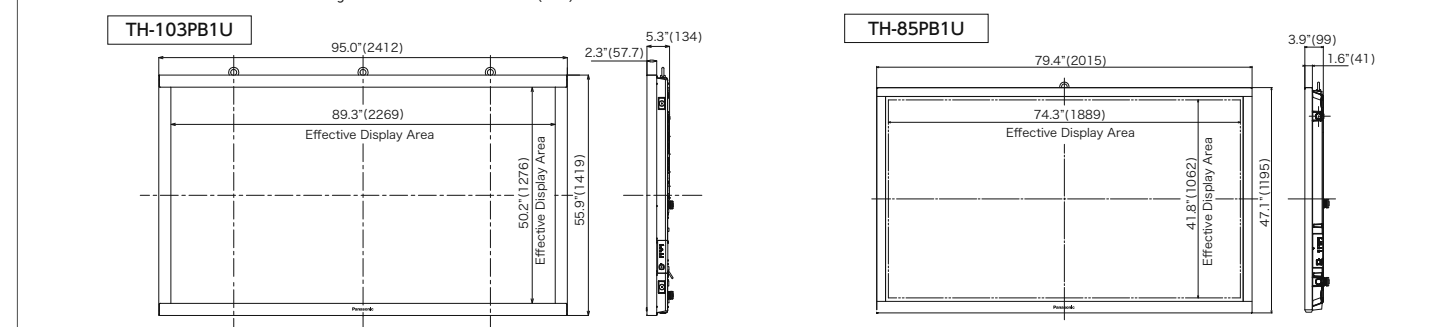


103-inch/85-inch class
Interactive Plasma Displays

Function Boards **SLOT 2.0**

HD-SDI with Audio Terminal Board TY-FB10HD	BNC Dual Video Terminal Board TY-FB9BD	Dual Link HD-SDI Terminal Board TY-FB11DHD	Dual HDMI Terminal Board TY-FB10HMD	DVI-D Terminal Board TY-FB11DD
---	---	---	--	-----------------------------------

Dimensions Cautions: This drawing is not a scale. Units: inches (mm)



Printed in Japan.
 Simulated pictures on screen.
 Design and specifications are subject to change without notice.
 As of January 10, 2013.

CT13-U01PF-PB-CR



A large screen with the power to inform. Communication goes more smoothly by writing on and linking with an Interactive Display.



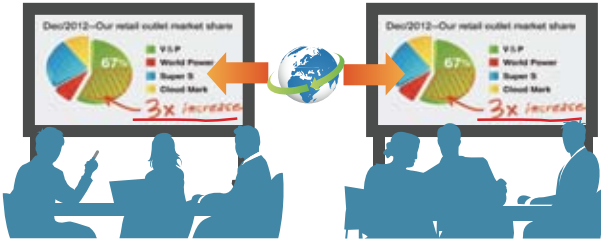
Ideal for Various Situations

For Presentations



Messages are relayed more clearly by writing directly into data
Points can be made easier to understand by writing them directly into data displayed on the large screen.

For Remote Meetings



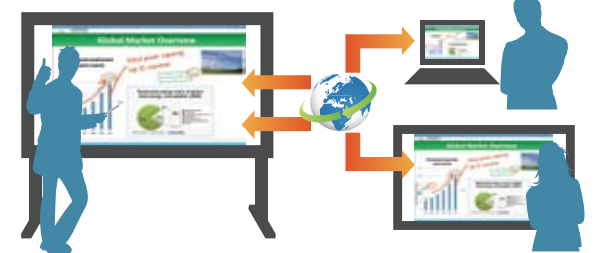
Communication goes more smoothly by writing things down
Data shared with another party in a remote location can be seen by everyone on the large screen. Using a Remote Pointer also clearly shows the other party the area that you are discussing.

As a Whiteboard



Information can be easily shared by preserving written content
Information written onto the board can be quickly and easily saved for use as minutes of the meeting. Also, if the meeting is interrupted, the previous data can be recalled to continue the discussion from where it left off.

For Online Seminars



Understanding can be deepened by adding the main points
By explaining your message while writing directly into data or educational materials, the remote party gets a clearer view of the points you want to relay.

Versatile Interactive Performance

No Driver Needed — Ready for Instant Use

There's no need to install a special driver. Simply register the Electronic Pen and Electronic Pen Adaptor to use the Electronic Pen as a mouse.



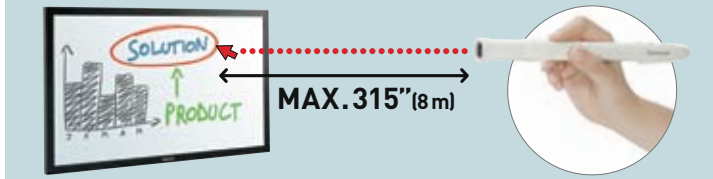
Smooth, Natural Writing



Highly accurate position detection and plasma-level drawing speed make it easy and comfortable to write precisely onto fine data or to quickly jot down notes. And since only the Electronic Pen detects the plasma illumination, there are no worries about errors when writing.

Remote Pointer Works from a Distance

The Remote Pointer can be used for pointing or marking from up to 315" (8 meters) away. This prevents the audience's view from being blocked and helps to get the presenter's point across in seminars, lectures, and other situations where presentations are made to large groups of people.



Simultaneous Writing by Up to 4 People

The color and writing style can be set for each pen, so individual opinions can be tracked when mind mapping or brainstorming.
*Dedicated software is required.



Easy Wireless Presentations from a PC or Tablet

PowerPoint®, Word, Excel, PDF and other data and images can be easily transmitted from your PC, iPad, iPhone, or iPod touch. There's also no need to switch cables when presenters change, and no need to worry about where in the room you are seated. Presentations go smoothly and easily.

From PC



From iOS device



Writing with the Marker function is possible when using an iOS device.

Visit our website for details:
<http://panasonic.net/prodisplays/products/pbseries/function.html>
* The optional ET-WM200U Wireless Module is required for wireless connection.
* Application software for wireless transmission or other dedicated application software is required.

Multi-Live Mode

Up to 16 PC screens can be displayed simultaneously, so users can give presentations one after the other in a meeting easily.

4-Window Multi Style



4-Window Index Style



16-Window Index Style



Plasma Picture Quality Reproduces Natural Colors

The wide viewing angle and faithful color reproduction provide realistic images for graphic design and other topics that require lifelike colors and textures. Glare is also minimized to maintain high visibility.



Durable, Easy-to-Clean Front Glass

The durable front glass is designed to hold up to impact and resist scratches during writing. When the glass becomes dirty, it can be easily cleaned by wiping with a soft cloth.

Plasma Panel Lifetime of About 100,000 Hours

The lifetime of the plasma panel is approximately 100,000 hours.* As a display used for daily presentation, it offers sharp, beautiful images for an extremely long period of time.
* Guideline operating hours before the panel brightness is reduced to half when the panel is used to display motion pictures in the Standard mode. Afterimages (burned-in images) and malfunctions are not taken into consideration.

*A separate personal computer is required when using the Electronic Pen or Remote Pointer. *The Electronic Pen Kit and Remote Pointer Kit are optional.
*The "Whiteboard Software for Remote Pointer" can be downloaded here. <http://panasonic.net/prodisplays/download/software/index.html>