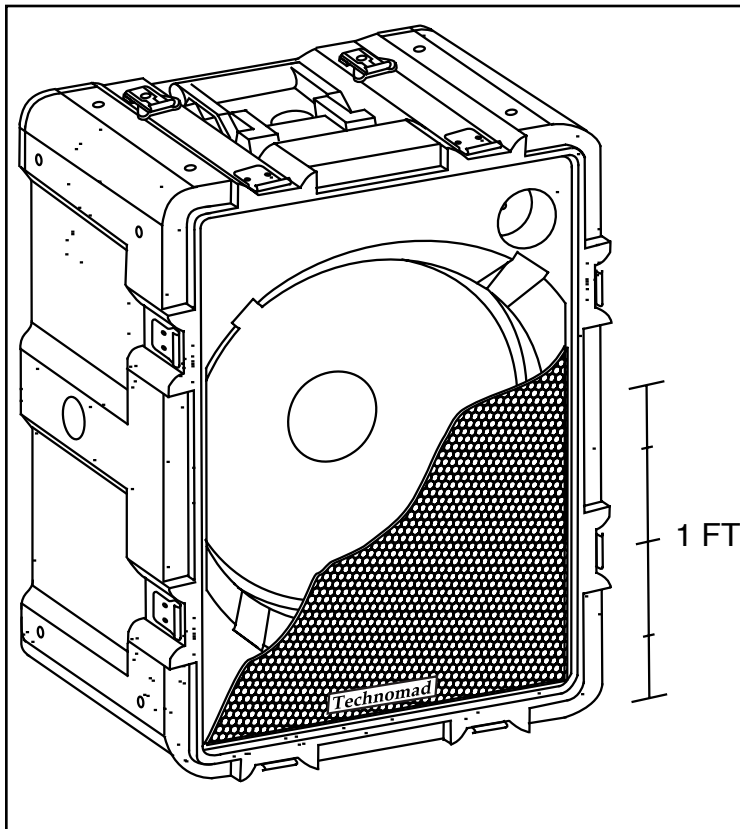


The Noho C

AS Series Tour Model

Self-casing, 2-Way Coaxial Full-Range All Environment Loudspeaker System



- Superb audio quality
- Articulate low end response
- Self-casing
- Fully weatherproof construction
- One-piece, 1/2" thick molded cabinet
- Molded-in colors will not crack or fade
- Comprehensive warranty: 10 year cabinet, 5 year hardware, 2 year electronics
- Molded in threaded inserts allow for flying and bracket mounting
- 1.5" stand-mount socket on each side for horizontal and vertical deployment
- MonitorTilt™ sockets on rear
- Large grip handles
- Three layer, chemically treated WeatherTech™ grill
- Self-draining cabinet design
- Twelve (12) optional cabinet colors
- Mil-Spec 810E compliant

The smallest of the high-powered AS Series of loudspeakers, the Noho C is designed for use in abusive, real-world situations, both on the road or in permanent installations. Combining super-rugged, U.S. Armed Forces road case technology with a number of acoustic innovations, the Noho C is a compact and durable loudspeaker that is very powerful and musically accurate.

The Noho C is the perfect unit for any application where compact size and high power are required. Technomad's unique cabinet tuning delivers exceptional bass extension and articulation from a small loudspeaker cabinet. The Noho C is extremely EQ compliant and offers the user unrivaled control over every type of program material. The cast frame coaxial driver used in the Noho C insures point source clarity, high power handling and long life. Only the highest-quality metalized polypropylene capacitors and heavy gauge inductors are used in Technomad networks, minimizing insertion loss and resulting in smooth response throughout the operating bandwidth.

The Noho C is designed for maximum flexibility and ease of use. 1.5" diameter stand-mount sockets are molded into the cabinet on all four sides for tripod mounting in either vertical or horizontal orientation. Four 1/4-20 threaded inserts on the top and right sides of the cabinet allow the Noho to be flown easily with eye-bolts. On the Tour Model version, the included lid protects the speaker during transport. A large handle on each end makes

carrying the Noho C extremely easy. All Tour Model AS Series Technomads stack together via interlocking ribs during transit, and like-size Tour Model cabinets lock together. The Noho C can be used as a monitor by inserting two 7" lengths of stand-mount tubing into two 1.5" sockets on the back of the cabinet. The Noho C can be bracket-mounted with Omnimount 100 Series or Allen Products MM-022 brackets using the four 5/16-18 inserts on the back of the cabinet. All hardware, including the grill is black, stainless steel to prevent corrosion and is recessed to prevent damage during shipment. From the inside out, every part of every Technomad loudspeaker is designed to provide optimum performance in even the worst conditions.

The PassiveProcessor™ option further expands the Noho's flexibility and ease of use in mobile applications. The PassiveProcessor™ is an internal four position EQ circuit which shifts the optimum listening distance farther away from the loudspeaker by increasing the high frequency output of the unit. This allows a PassiveProcessor equipped Noho to be used in both nearfield and longer-throw applications without requiring any external processing.

Noho C loudspeakers are used worldwide in applications ranging from concert sound systems to theaters to military PA to cruise ships to ballparks.

Specifications

Noho C

Audio Specifications

Frequency Response	55 Hz- 18 kHz (+/- 2 dB)
	45 Hz- 18 kHz (+/- 10 dB)
Maximum Continuous Power ¹	430 watts
Maximum Peak Power ¹	700 watts
Recommended Amplifier Power	500 watts
Sensitivity *	98 dB SPL
Maximum Output (long term) ^{1**}	124 dB SPL
Maximum Output (peak)	126.5 dB SPL
HF Dispersion	120° V x 120° H
Nominal Impedance	8 ohms

Signal Chain

HF	1" Compression Driver
LF	12" LF Driver
Connectors	2 x Neutrik™ NL4MP Speak-on, one per end
Crossover	Passive Internal
70-Volt (option)	300 watt fixed tap

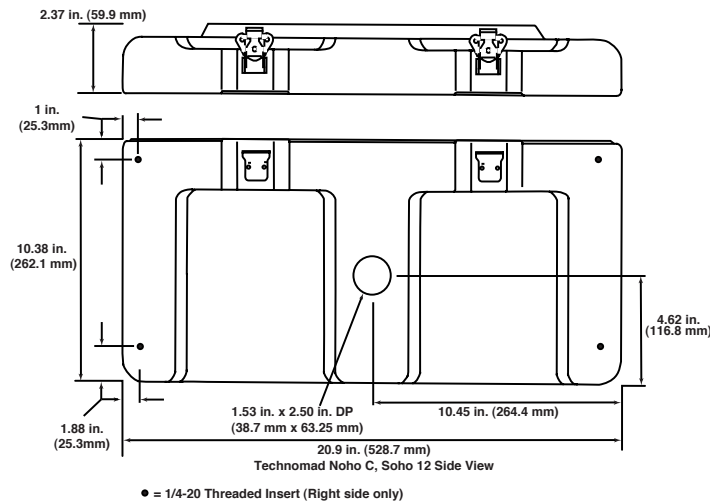
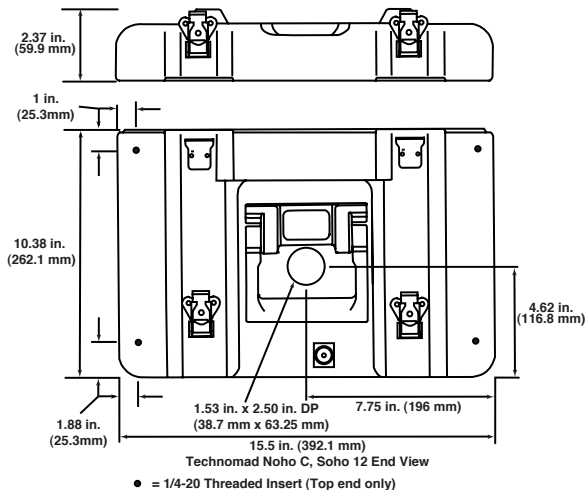
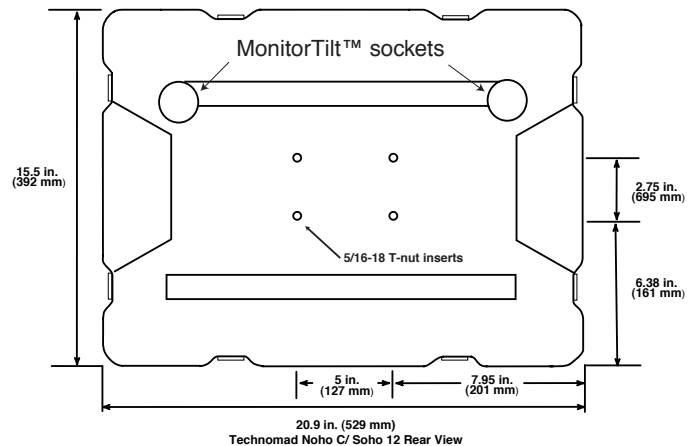
¹ Based on ALMA EIA test 426B

* RTA Total output axial 1W@1M

** Based on Maximum Continuous Power rating

Physical Specifications

Height	20.9"	52.8 cm
Width	15.5"	39.2 cm
Depth w/o Lid	10.4"	26.7 cm
Weight	58 lb.	26.3 kg
Shipping Weight	60 lb.	27.3 kg
Fittings	8 x 1/4-20 inserts (4 on top end, 4 on right side) 4 x 5/16-18 centered on back for bracket mounting.	
Standmount Sockets	4- One per side, 1.5" dia. meter 2 on back for MonitorTilt™ use	
Handles	2- Large Easy-Grip	
Cabinet	Mid-density Polyethylene	
Grill	Stainless Steel Weather Tech™ (Black)	



Architectural and Engineering Specifications

The loudspeaker system shall be of two-way type consisting of one 12" low frequency cone type transducer in a vented direct radiating enclosure and a coaxially mounted 1" compression driver.

The system shall meet the following performance criteria:
Frequency Response: 55 Hz- 18 kHz. Power Handling: 430W. Rated Impedance shall be 8 ohms. High frequency dispersion shall be 120° V x 120° H. The system shall include an internal passive crossover network, providing full range operation via two Neutrik™ 4MP connectors.

The cabinet shall be molded from mid-density, (100% recycled if Black) polyethylene. All cabinet dyes shall be non-heavy metal

based. The cabinet shall meet Mil-Spec 810E and be ATA-III compliant. The cabinet shall have a 10 year warranty.

The system shall include 1.5" stand mount sockets on four sides. The system shall have two handles. The system shall have eight 10-1 rated 1/4-20 threaded inserts for hanging. The system shall have four 10-1 rated 5/16-18 inserts on the rear of the cabinet, in a pattern compatible with the OmniMount 100 and Allen Products MM-022 brackets. The system shall have a lid. All drivers shall be protected by a three-layer chemically treated grill system. All hardware shall be stainless steel.

The loudspeaker system shall be the Technomad Noho C.

Technomad
THE TOUGHEST LOUSPEAKERS IN THE WORLD

37 Harvard Ave, Suite 2, Brookline MA 02445 USA
email: info@technomad.com
www: http://www.technomad.com
phone: 800.464.7757 fax: 617 424 8233