

AC2450VA

24 Volt AC 50VA Plug-in Transformer



AC2450VA

FEATURES

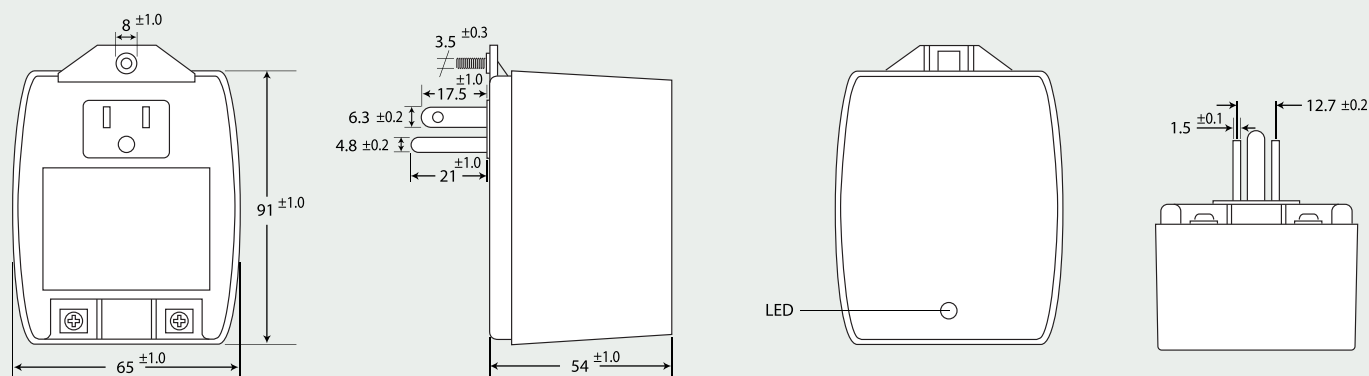
- ◆ Class II, UL Listed
- ◆ 120 Volt AC Input
- ◆ Screw Terminal Connection
- ◆ 50VA (2.0 Amp) Output
- ◆ Safety Screw Wall Outlet

SPECIFICATION

AC2450VA

Specification	AC2450VA
Type	Class II UL Listed
Input	AC 120V
Output	24 Volt AC 2Amp
Connection	Screw Terminal

DIMENSIONS



Note: Specification subject to change without notice