



BRINGING IMAGINATION TO LIGHT

Phoenix Series Ellipsoidal Spotlight

INTRODUCTION

Congratulations on purchasing one of the finest lighting instruments available today! Before using your Phoenix Ellipsoidal Spotlight, be sure to read all of the instructions in this manual.

Caution: Read and understand these entire instructions before proceeding.

Caution: Always wear safety goggle and gloves when servicing this equipment.

Caution: Disconnect unit from electrical supply before initial lamp installation, re-lamping or servicing for any reason.

Caution: DO NOT expose unit to rain or use in damp or wet locations. Always use indoors.

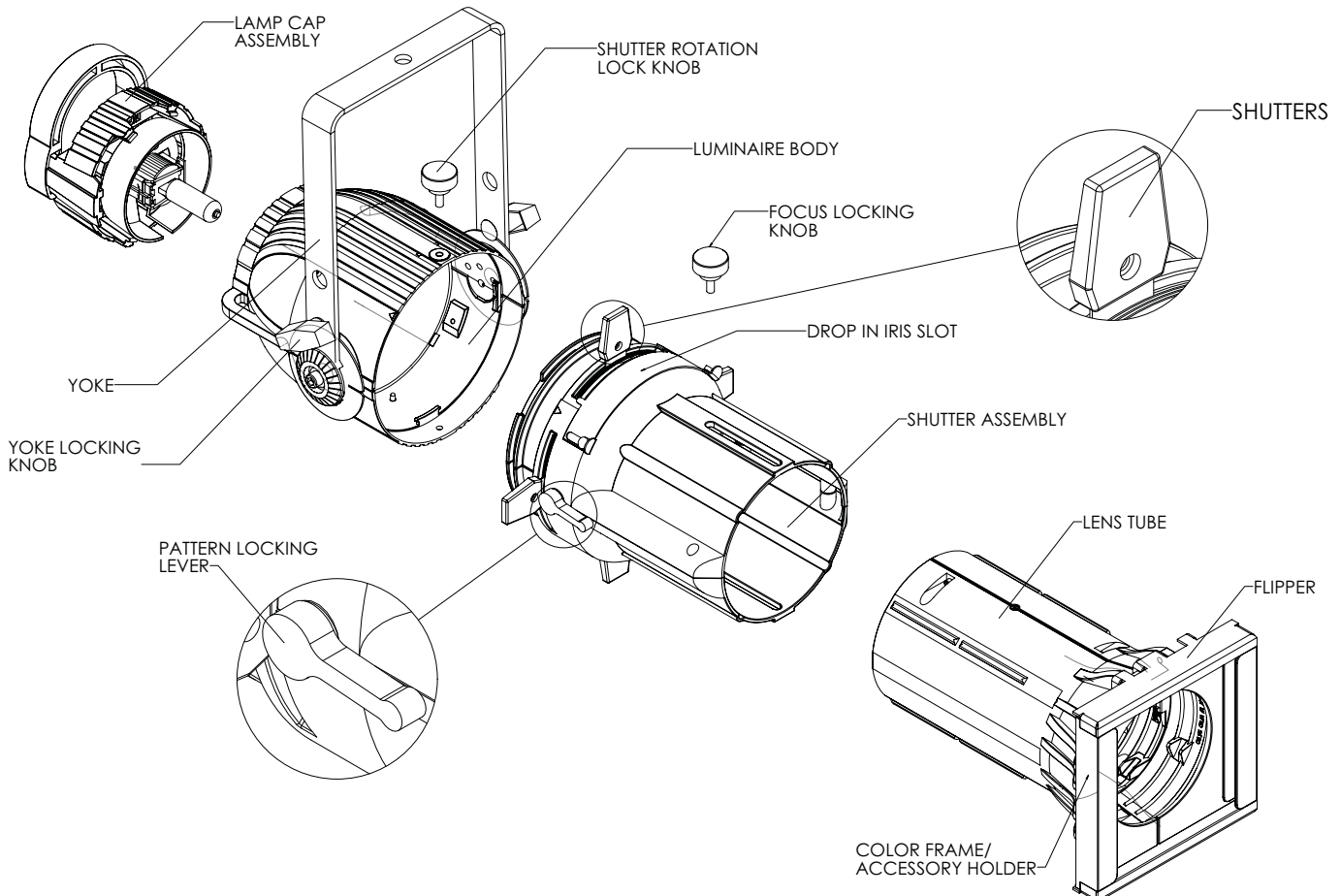
Caution: This luminaire is a source of intense heat and is not intended for residential use. To reduce risk of fire or injury, avoid contact by persons or materials. If luminaire is hot, allow to cool before re-lamping.

Caution: DO NOT touch glass portion of lamp with your hands. Agents such as sodium, grease or oil from your fingers may be transferred to the glass wall. The contaminants can cause the lamp to rupture or can greatly reduce the performance and life of the lamp. If accidentally soiled, immediately clean the lamp with a soft, clean and lint free cloth soaked in methylated spirits (denatured alcohol), then polish with a dry, soft, clean and lint free cloth.

Caution: DO NOT allow materials to come in contact with hot lamp. Protect lamp from abrasions and scratches. These lamps reach very high temperatures (as high as 1740° F [950°C]). Under certain circumstances, internal or external influences may cause lamp to rupture.

SAFETY INSTRUCTIONS

SAVE THESE INSTRUCTIONS FOR FUTURE USE!



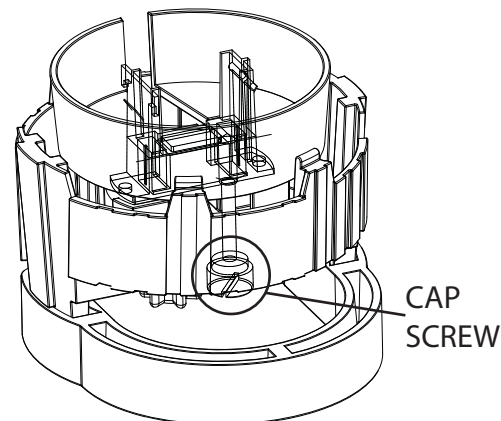
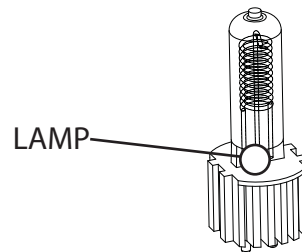
INSTALLING THE LAMP

CAUTION: Do not use any lamps exceeding 750W, or permanent damage will result!

CAUTION: DO NOT touch the glass portion of the lamp with your hands!

CAUTION: Disconnect fixture before re-lamping.

1. Loosen cap screw until it spins freely.
2. Pull lamp cap straight out from the luminaire body.
3. With protective wrap still in place, grasp lamp at base and gently push into socket until firmly seated.
4. Remove protective wrap from bulb and replace lamp cap into luminaire body.
5. Tighten cap screw.



USING SHORT YOKE POSITION

1. Remove T-Handle and its associated hardware.
2. Remove yoke bolts, cup washers and pivot covers. Note: use a 1/4" hex head wrench to remove yoke bolts.
3. Stretch yoke and snap it into short yoke position.
4. Replace pivot covers, cup washers and yoke bolts.
5. Replace T-Handle into square hole, keeping the washer between handle and yoke.

ADJUSTING YOKE

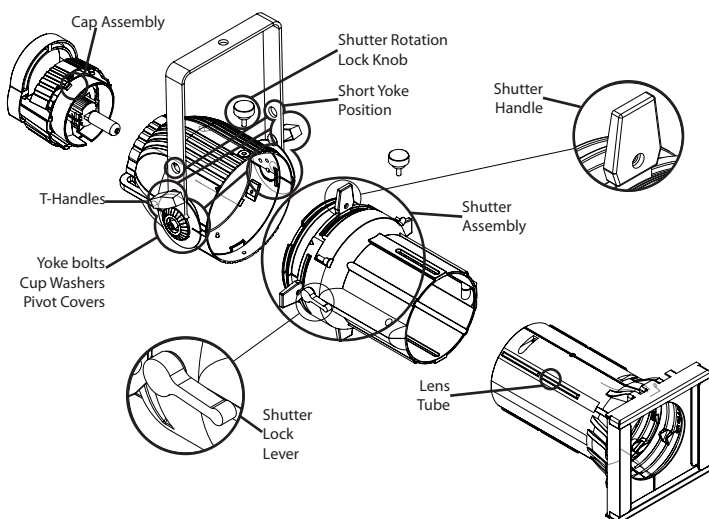
1. With one hand on ring handle to hold unit, loosen T-Handle.
2. Tilt unit to desired angle. Note: Reference angles have been molded on the pivot cover to make adjustments easier and more precise.
3. Tighten T-Handle to secure fixture in place.

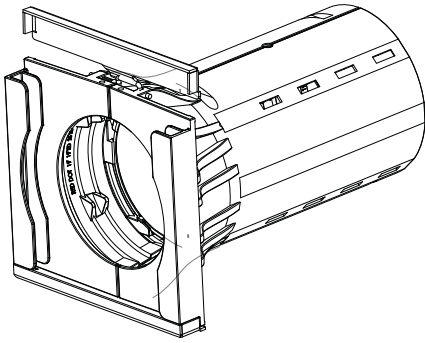
ROTATING SHUTTER ASSEMBLY

1. Loosen shutter rotation lock knob on either side of the luminaire.
2. Rotate shutter assembly 360° in either direction.
3. Tighten shutter rotation lock knobs to secure shutter assembly.
4. To lock the shutters in place, rotate the Shutter Lock Lever until proper tension is applied to shutters.

INSTALLING C-CLAMP

The C-clamp is used to mount the luminaire to a pipe hang position. The C-clamp attaches to the top of the yoke via the 1/2" bolt provided with the C-clamp. Be sure to keep the washer between the bolt head and the yoke.





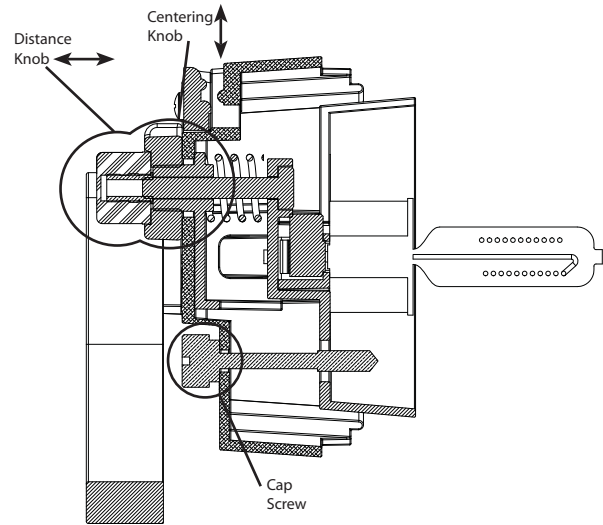
ACCESSORY RETAINING LATCH

This unique retaining hatch is designed for positive locking and manual return.

1. Slide Clip to right side.
2. Swing latch back.
3. Insert accessory.
4. Close latch. Make sure latch locks in place.

ADJUSTING LAMP

1. With power on and all four shutters open, shine light onto a surface perpendicular to fixture and adjust for sharp focus.
2. Rotate distance knob all the way to the left to put unit into peak focus.
3. Loosen centering knob slightly and adjust so the hot-spot is in the center of the beam of light. Tighten centering knob to lock lamp in place.
4. Turn distance knob to the right until desired field is achieved. The more you turn to the right, the flatter the field will get.

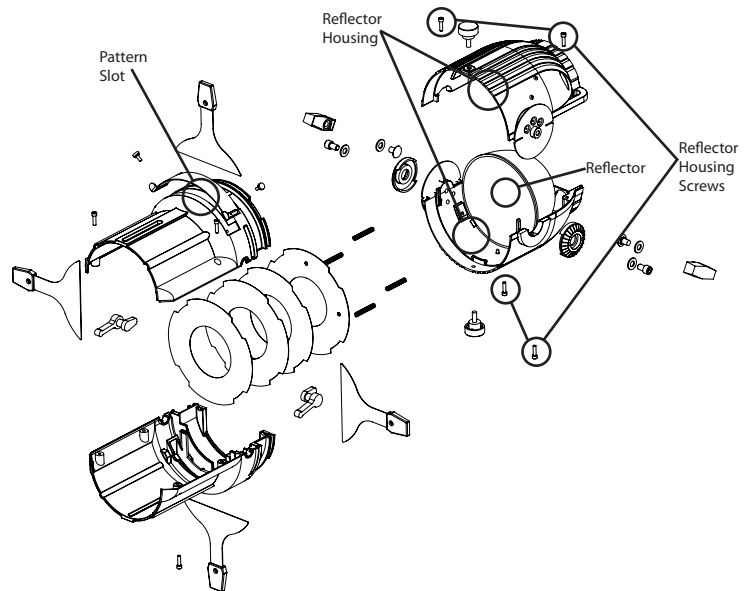


DROP IN IRIS SLOT

This larger slot can accept either a drop-in iris or a motorized pattern device (gobo rotator, yo-yo etc). The slot has a retractable cover to prevent light leak when not in use. When a device is used, the cover should be closed to the edge of the device placed in the slot. When a drop-in iris is used, always place it so the flat side is facing the shutters.

CLEANING THE REFLECTOR

1. Remove lamp cap from luminaire.
2. Remove yoke from luminaire.
3. Remove shutter assembly rotation lock knobs.
4. Remove the four screws from the reflector housing.
5. Lift off the top half of the reflector housing.
6. Dampen a clean, lint-free cloth with denatured alcohol and gently wipe reflector clean. Align reflector with locating springs, replace luminaire body top.
7. Re-install four screws in luminaire body. **WARNING:** never use glass or window cleaner or any abrasive material to clean the reflector. Use of these items will damage the reflector.

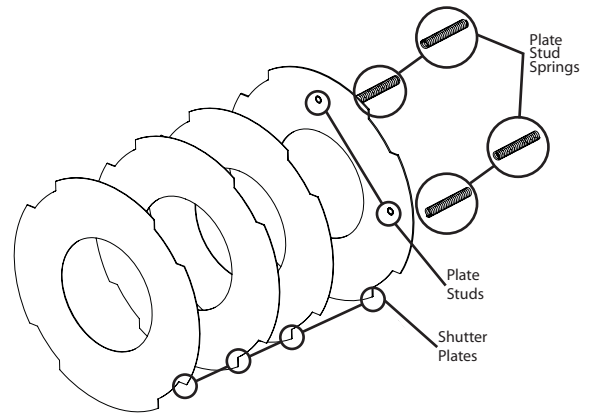


PATTERN PROJECTION

The pattern holder slot accepts standard ETC Source 4 size pattern holders. The image of the pattern can be rotated 360° in either direction. The use of a donut will sharpen the image.

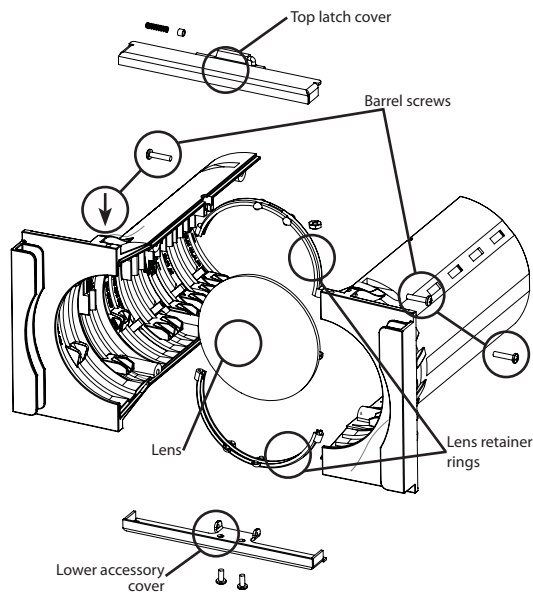
INSTALLING SHUTTER PLATES

1. Pressure Plate (completely flat): Install such that the tabs are on the top and bottom and sides.
2. Iris and spring plate. Install so that the (4) studs face the back of the unit.



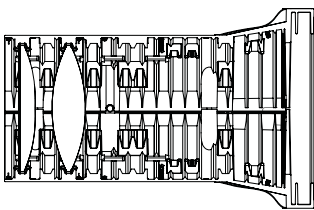
SHUTTERS

1. The shutters are not removable without disassembling the unit.
2. Care must be given to make sure each of the four shutters stay in their proper positions in between the shutter plates.

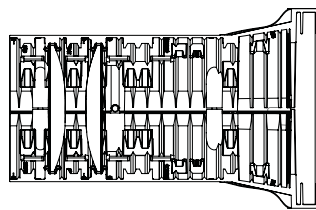


CLEANING/REPLACING LENSES

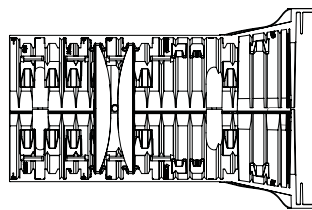
1. Remove focus lock knob, push in safety pin and slide lens barrel out.
 2. Place barrel on a surface so that the two halves are oriented as the top and bottom.
 3. Remove lower accessory cover with (2) screws.
 4. Remove top latch cover with (2) screws.
 5. Remove (4) barrel screws, one on each side.
 6. Carefully remove top half of the barrel.
 7. Replace or clean lenses with mild soap and water, and a clean, lint-free cloth.
 8. Replace top half of barrel, top latch cover, bottom cover and re-install screws.
 9. Slide lens barrel back into unit and replace focus lock knobs.
- WARNING:** Never use glass or window cleaner or any abrasive material to clean a lens. These types of cleaners will stain the lens surface. Abrasive materials will damage the surface of the lens.



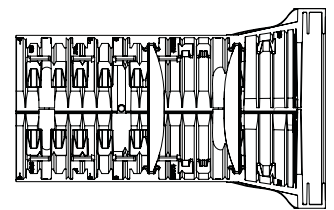
50° (4.5 X 6)



36° (6 X 9)



26° (6 X 12)



19° (6 X 16)