

Christie G Series

Boardrooms

Conference rooms

Education

Government

Houses of worship

Museums

Training rooms



CHRISTIE®



▲ Two models available Christie DHD550-G and Christie DWU550-G



Unsurpassed value, versatility, long-life performance

What does value mean to you? We think it's the fine balance between quality, performance, support, and value. The Christie® G Series offers you unsurpassed value – with energy saving features, low maintenance costs, numerous standard features, and the best warranty and support in the industry.

Built with proven DLP® technology, the Christie G Series gives you excellent image quality and reliability. At 5000 lumens, this is the brightest platform in its category. High brightness combined with powerful features, including wireless connectivity, makes the Christie G Series a perfect fit for a variety of applications.

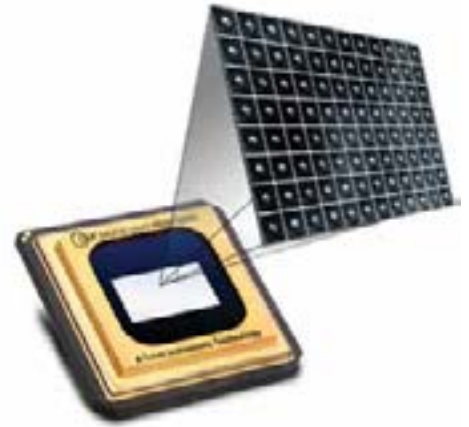
Ideal for 24/7 operation, the filter-free, dust-sealed design prevents dust and dirt from affecting the projector – ensuring that image quality is preserved and maintenance costs are minimal. The Christie G Series is packed with ProAV features, including two resolution options, HD and WUXGA, built-in color matching for a more uniform image in a multi-projector configuration, and blending and warping capabilities to handle curved surfaces.

If you need a projector that is easy to install and configure and offers unsurpassed value, the Christie G Series is right for you.

Show your audience amazing images

People tend to associate great image quality with high cost. That doesn't have to be the case. You can enjoy stunning images with the Christie G Series at a low total cost of ownership.

The Dynamic Contrast feature further enhances the image quality of the Christie G Series by increasing the contrast ratio to 5000:1. This series ships standard with a high brightness, six-segment color wheel for maximum brightness and excellent color range.



▲ 1-chip DLP technology

High brightness

The brightest in its class, the G Series delivers exceptional images.

- Christie DHD550-G: 5000 ANSI lumens - HD (5500 center lumens)
- Christie DWU550-G: 5100 ANSI lumens - WUXGA (5600 center lumens)

Six-segment color wheel

Comes with high brightness color wheel for standard applications and uses.

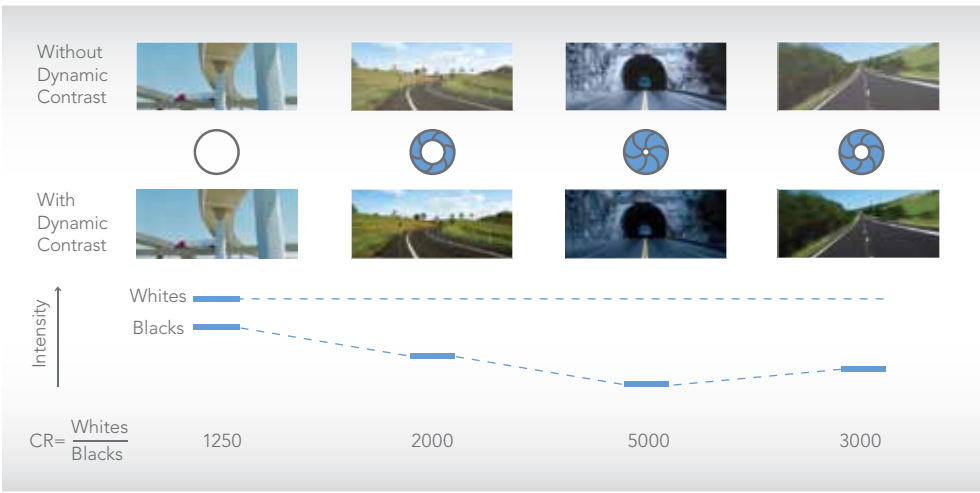
Two resolution options

Native HD model	Maintain and maximize your brightness
WUXGA model	Ideal for graphic intensive applications



▲ Christie G Series lamp



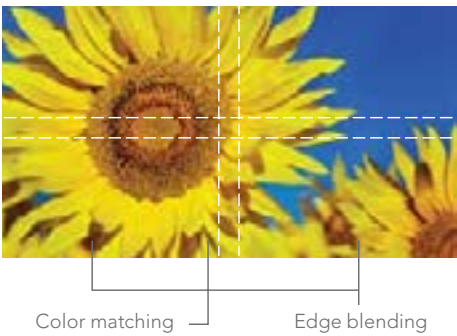


Dynamic Contrast

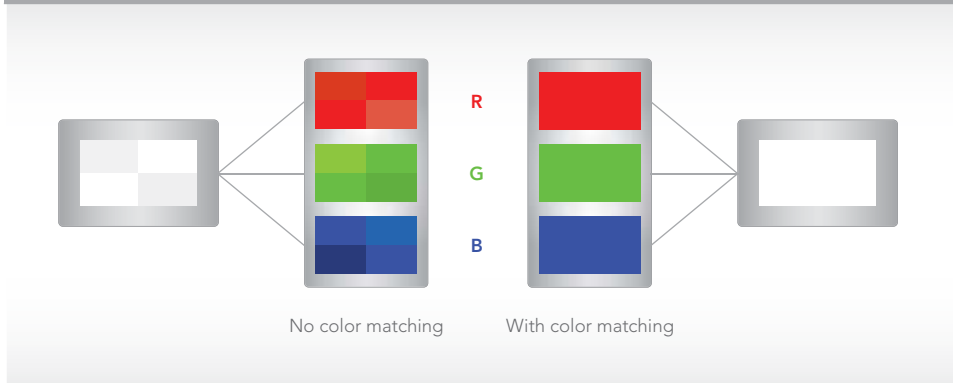
With the Dynamic Contrast enabled, up to 5000:1 contrast can be achieved. Ideal for video applications, the Dynamic Contrast automatically adjusts an internal iris to extend the range of blacks and provide richer details during dark content for true image reproduction.

Color matching

When used with multiple projectors, this feature ensures accurate color matching and uniformity across the entire image.



Color matching



Constant intensity mode

For tiled arrays, the constant intensity mode automatically increases brightness as the lamps wear out over time in order to maintain the overall brightness and image consistency across the display.

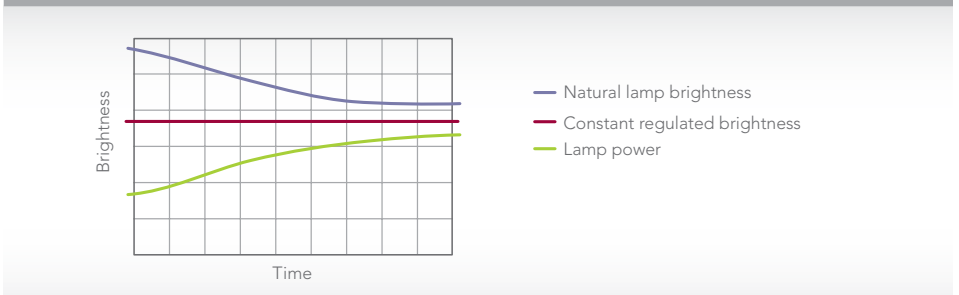


▲ Without constant intensity mode



▲ With constant intensity mode

Constant intensity mode



We understand the unique needs of your application

No application requirements are the same. We strive to pack all the features crucial to the success of your display into one compact chassis minimizing the expense of purchasing additional "out of projector" technologies. The Christie G Series is the full package. Its single lamp design lowers your cost of ownership without compromising image quality. Wireless connectivity opens the door for easy connection and clean presentation space. Three lens choices, input options and 360 degree projection are all designed to give you the flexibility to pick whatever you need to capture the attention of your audience.



24/7 use capability

The G Series offers sealed, dust-free housing and heat-pipe cooling system that enables the projector to run 24 hours a day, 7 days a week in continuous operation.



Security lock

Multi-purpose security lock bar plus Kensington security slot provide options for anti-theft.



▲ Security lock

White-colored cable cover (optional)

White chassis color and an optional cable cover gives you a crisp, clean, uncluttered look ultimately maximizing environment aesthetics and architectural design features.

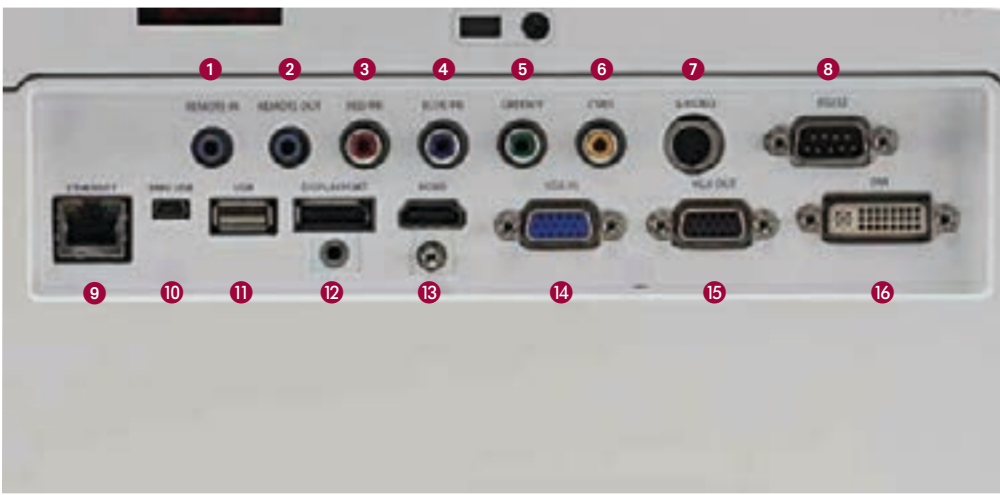


▲ G Series cable cover

Picture-in-picture/picture-by-picture functions offer different layout options

PIP/PBP	Main										
	HDMI 1	HDMI 2	Display port	VGA	BNC	Component	S-video	Composite	RJ45	USB type B (mini)	USB type A
HDMI 1	-	•	-	-	•	-	•	•	•	•	•
HDMI 2	•	-	•	•	-	•	-	-	-	-	-
Display port	-	•	-	-	•	-	•	•	•	•	•
VGA	-	•	-	-	•	-	•	•	•	•	•
BNC	•	-	•	•	-	•	-	-	-	-	-
Component	-	•	-	-	•	-	•	•	•	•	•
S-video	•	-	•	•	-	•	-	-	-	-	-
Composite	•	-	•	•	-	•	-	-	-	-	-
RJ45	•	-	•	•	-	•	-	-	-	-	-
USB type B (mini)	•	-	•	•	-	•	-	-	-	-	-
USB type A	•	-	•	•	-	•	-	-	-	-	-

• = PIP/PBP combinations are enabled - = PIP/PBP combinations are disabled



- 1 Remote in
- 2 Remote out
- 3 Red/Pr
- 4 Blue/Pb
- 5 Green/Y
- 6 CVBS
- 7 S-video
- 8 RS-232
- 9 Ethernet
- 10 Mini USB
- 11 USB
- 12 Display port
- 13 HDMI
- 14 VGA-IN
- 15 VGA-OUT
- 16 DVI

Interchangeable lenses with 100% offset

Lenses with 100% offset helps make installation and configuration easy, even in the most demanding installation situations. It also makes it possible to take advantage of existing mounting and hardware assets and reduces costs.

Input options

- Wireless option
- One HDMI (also double as DVI with supplied adapter)
- One display port
- Analog
- Network
- USB and network input

Projector control

Control the projector through a web user interface. SNMP (simple network management protocol) lets you remotely monitor a Christie projector and get status changes on various parameters.

Christie Presenter

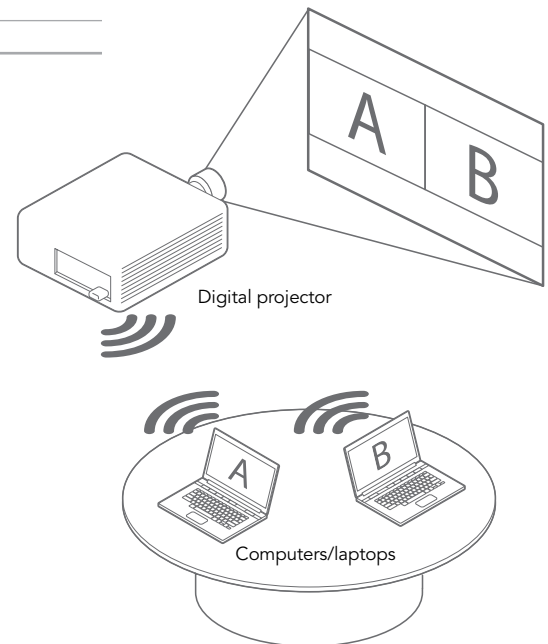
The Christie Presenter application allows up to four remote desktops from host PC's to be displayed on the network through Ethernet, USB, or wireless transports. It can adapt to different network settings (DHCP, fixed IP, and direct link by USB/Ethernet cable).

Wireless projection

- Easy connectivity
- Less cluttered meeting space
- Cable-free management



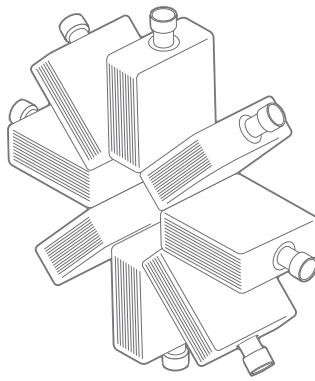
▲ Christie Presenter



▲ Wireless capability

360 degree projection

The Christie G Series can project on a table top, be ceiling-mounted, straight down or straight up. However you spin it, the Christie G Series will fit your needs.



▲ 360 degree projection



▲ Dual processor warp module

Motorized zoom, focus and lens shifts

For easy installation and configuration, the Christie G Series comes with motorized zoom, focus and lens shift to ensure your image is aligned tight within the desired viewing area for every presentation. The mechanical shutter allows for quick pauses in your display when the need arises to shutter the image.

Blending and warping capabilities (optional)

Coupled with the internal color matching functions, blend and warp capabilities enable the projector to be used in high-end applications where large images are needed. An optional dual processor warp module is required to blend and warp displays.

Warp modes: Keystone, 4-Corner, Curve, Pincushion, Barrel and Rotation¹

Projection surface	Warping capabilities
<p>Curved screens</p>	
<p>Tilted screen</p>	

¹ Reference User Manual for combination compatibility of warp modes.



▲ Full suite of lenses

A suite of lens options to choose from

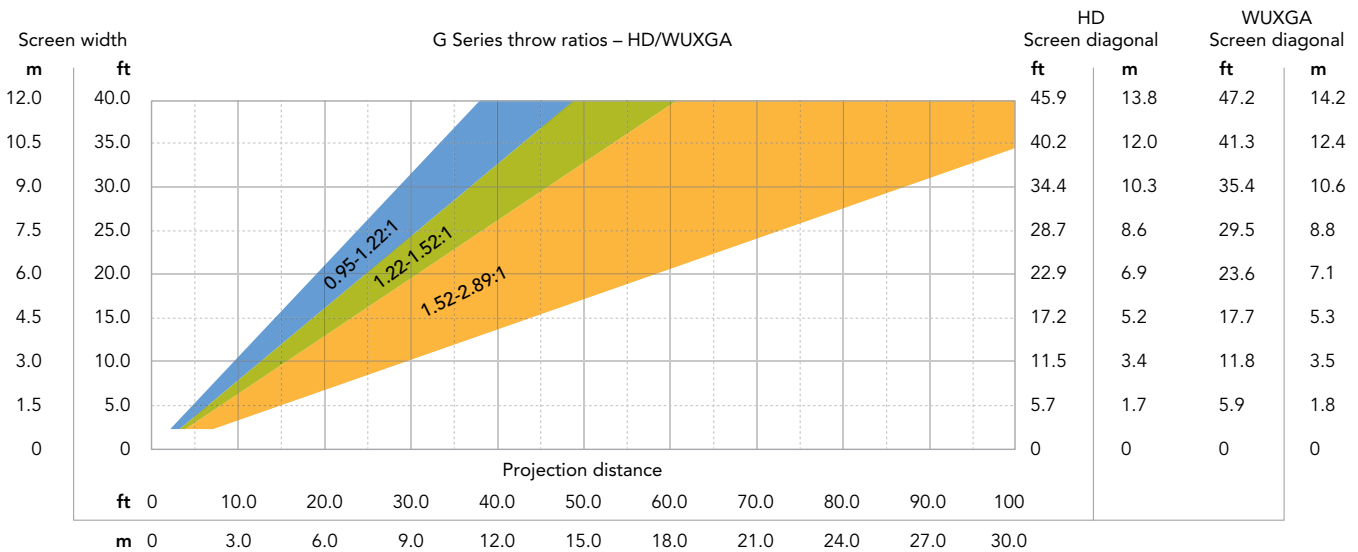
Our suite of lenses for HD and WUXGA resolutions increases installation flexibility.

Accessories and options

Description		Part Number
Lenses	0.95-1.22 zoom	140-101103-01
	1.22-1.52 zoom	140-100102-01
	1.52-2.89 zoom	140-102104-01
Ceiling mount		140-105107-01
Ceiling mount extension		104-101001-XX
Dual processor warp module		133-111104-01
Wireless dongle		133-113106-01
Cable cover		140-103105-01
Lamp		003-004451-01



▲ Christie G Series wireless dongle



Going above and beyond

In addition to high quality products, what makes Christie different from everyone else?

We go above and beyond to take care of our customers. Customers keep coming back to us because they can't get the same level of support anywhere else.

We care about our customers. Your satisfaction is our ultimate goal. We stand behind our products and support you with our second-to-none warranty and service programs.



Christie support and service

All Christie products are backed by industry-leading warranties, renowned service and support. We ensure our customers are well supported with training, service and technical support through our extensive distribution and support network.

Christie has local support on five continents offering support for international installations and global deployments.

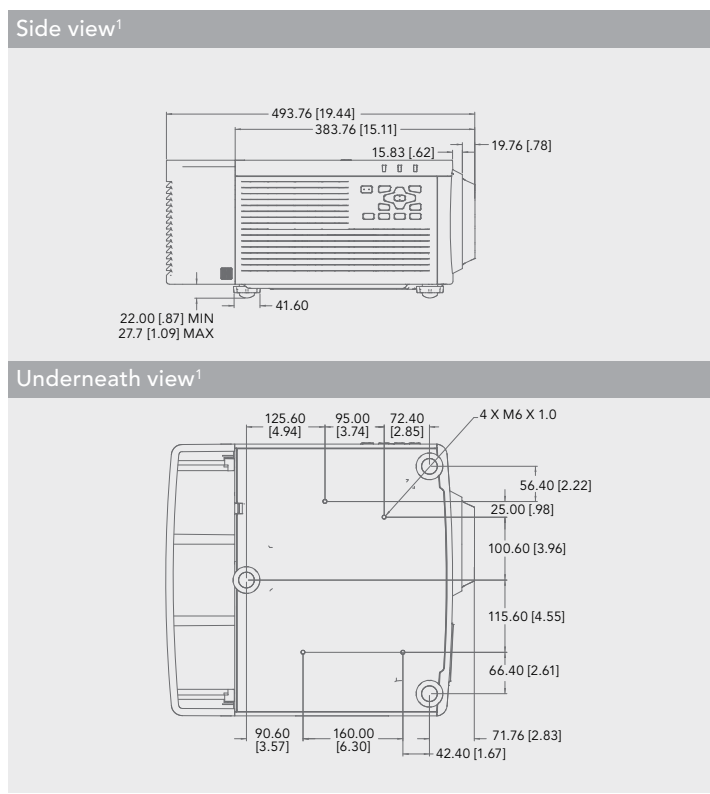
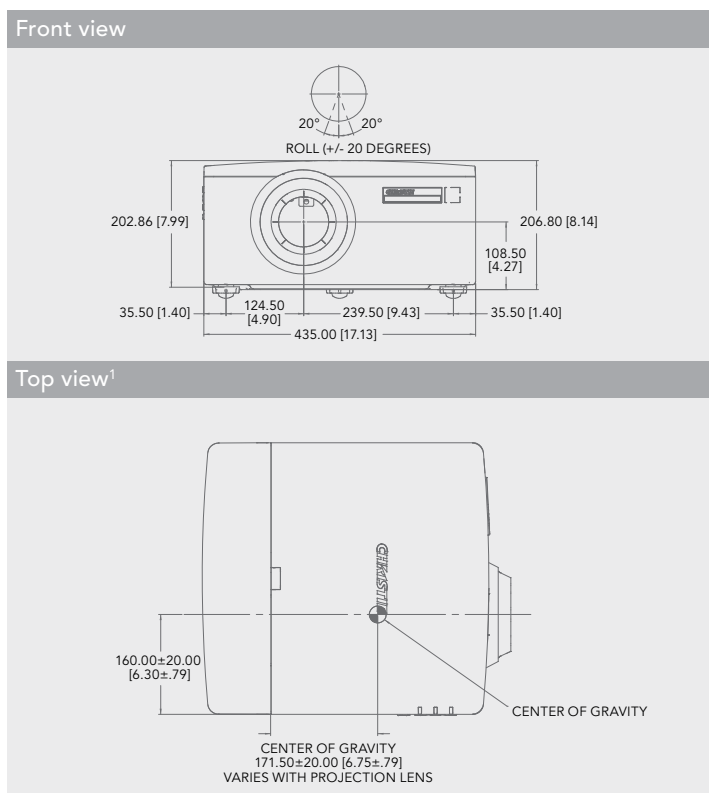
We offer customer-centric service with years of extensive experience in varieties of applications.

Environmental

At Christie we recognize our responsibility to control the impact of our business on the environment. We take pride in offering eco-friendly features in our products that are not only good for the environment, but also lower total cost of ownership for our customers.

Christie G Series includes features that support our commitment to being eco-friendly.

- Eco mode
- 0.5W standby mode
- Auto shut down
- Sleep timer: save energy by controlling when the projector goes to sleep



¹ Projector shown with optional cable cover.

		Christie DHD550-G	Christie DWU550-G
Image	brightness	• 5500 center lumens - HD (5000 ANSI lumens)	• 5600 center lumens - WUXGA (5100 ANSI lumens)
	color wheel	• 6 Segment (RGBCYW)	
	contrast	• 5000:1 (Dynamic Contrast enabled); 1200:1 (full on/off); 250:1 ANSI	
Display	type	• 1-chip 0.65" DMD	• 1-chip 0.67" DMD
	native resolution	• 1920 x 1080 (2,073,600 pixels) 16:9	• 1920 x 1200 (2,304,000 pixels) 16:10
Lamp	type	• 370W P-VIP	
	typical lifetime	• 1500 hrs minimum @ 370W • 2000 hrs typical @ 280W	
Inputs	standard	• HDMI x 1 • DVI-D x 1 (Digital only) • Display port x 1 • HD15 x 1 • Composite video x 1 (RCA) • S-Video x 1 (mini DIN) • Component video (RCA) • USB x 1 (type B mini) - Display over USB • USB x 1 (type A) - Image viewer or WiFi dongle (optional) • RJ45 x 1	
	signals	• HDTV formats VGA through to WUXGA (1920 x 1200) • Horizontal and vertical scaling while maintaining aspect ratio, all inputs	
	pixel clock	• 162 MHz	
	scan rates	• Horizontal: 15-100kHz • Vertical: 24-85Hz	
Outputs	monitor out	• HD15 x 1	
Control and networking		• RS-232 in • Ethernet (10/100) RJ45 with ChristieNET™ connectivity • Built-in backlit keypad • Wired remote control (3.5mm stereo)	
Accessories	standard	• IR Remote with wired remote jack (wire not included) • AC Line cord for projector head • User manual	
	optional	• 1DWUSB-BGN (wireless dongle for video and control) • Warp module • Cable cover • Ceiling mount • Ceiling mount extension	
Lens mount	type	• Tool-free lens insertion system • Boresight adjustable • Motorized horizontal and vertical lens offset • Motorized zoom and focus adjustment	
Lenses	zoom	• 0.95-1.22:1 HD • 1.22-1.52:1 HD • 1.52-2.89:1 HD	
	offsets	• Vertical: ± 120% (± 648 pixels) • Horizontal: ± 20% (± 192 pixels)	• Vertical: ± 100% (± 600 pixels) • Horizontal: ± 20% (± 192 pixels)
Power requirements	operating voltage	• 100-240 VAC 50/60Hz	
	consumption	• 510W maximum • 405W eco mode	
	operating current	• 6A maximum	
	dissipation	• 1740 BTU/hr maximum • 1382 BTU/hr eco mode	
Physical specs	size	• (LxWxH) 15.28 x 17.13 x 8.15" (388 x 435 x 207mm) without feet	
	shipping size	• (LxWxH) 19.49 x 23.03 x 16.14" (495 x 585 x 410mm) without feet	
	weight	• 33.1lbs (15kg)	
	shipping weight	• 41.2lbs (18.7kg)	
Operating environment	• Temperature: 40-95°F (5-35°C) • Humidity: 0-90% non-condensing		
Regulatory	• UL/CSA/IEC 60950-1 • FCC Class A, CE, CCC, KC, Gost-R, PSE, C-tick, and South Africa • This product conforms to all relevant European directives, standards, safety, health and environmental concerns • RoHS, REACH, WEEE		
Limited warranty	• Three years parts and labor (including light engine) • Contact an authorized Christie representative for full details of our limited warranty		



Corporate offices

Christie Digital Systems USA, Inc.
USA – Cypress
ph: 714 236 8610

Christie Digital Systems Canada Inc.
Canada – Kitchener
ph: 519 744 8005

Independent sales consultant offices

Italy
ph: +39 (0) 2 9902 1161

Worldwide offices

United Kingdom
ph: +44 (0) 118 977 8000

Germany
ph: +49 2161 664540

France
ph: +33 (0) 1 41 21 44 04

Spain
ph: +34 91 633 9990

Eastern Europe and
Russian Federation
ph: +36 (0) 1 47 48 100

Republic of South Africa
ph: +27 (0)11 510 0094

United Arab Emirates
ph: +971 4 3206688

India
ph: +91 80 6708 9999

Singapore
ph: +65 6877 8737

China (Shanghai)
ph: +86 21 6278 7708

China (Beijing)
ph: +86 10 6561 0240

Japan (Tokyo)
ph: 81 3 3599 7481

Korea (Seoul)
ph: +82 2 702 1601



ISO 9001
ISO 14001

Kitchener, Ontario



For the most current specification information, please visit www.christiedigital.com



Copyright 2012 Christie Digital Systems USA, Inc. All rights reserved. All brand names and product names are trademarks, registered trademarks or tradenames of their respective holders. Christie Digital Systems Canada Inc.'s management system is registered to ISO 9001 and ISO 14001. Performance specifications are typical. Due to constant research, specifications are subject to change without notice. Printed in Canada on recycled paper. 3377 Oct 12

CHRISTIE®