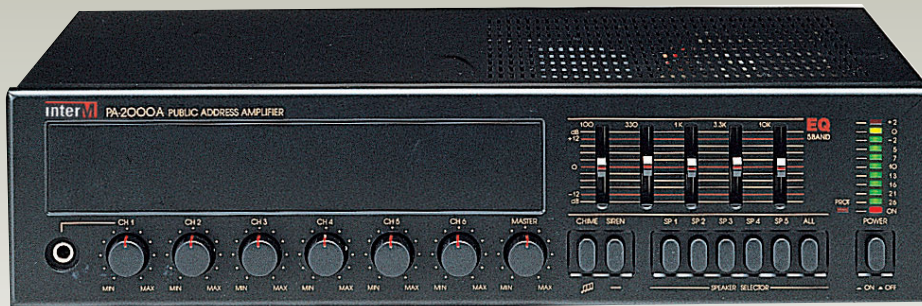


PA-2000A/4000A



PUBLIC ADDRESS AMPLIFIER



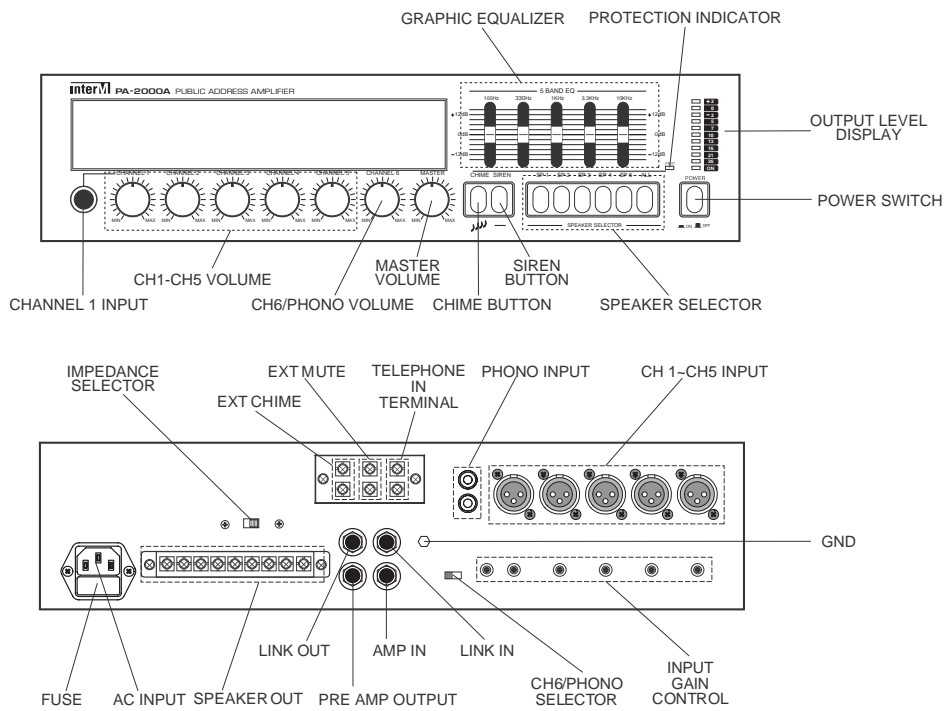
FEATURES

- Six Input Channels with Adjustable Input Sensitivity and Individual Level Controls
Rear-panel level controls adjust each input channel from Mic to Aux level.
- Five-Band Graphic Equalizer
Five-band graphic equalizer allows you to shape the tonal balance of your program material.
- Speaker Select
Six speaker select switches enable you to select any combination of up to five speakers.
- Phono Level Input
Switchable input level on Channel 6 allows for connection of phono level source.
- Announcement Chime and Siren
Convenient four-tone chime and electronic siren for use with announcements.

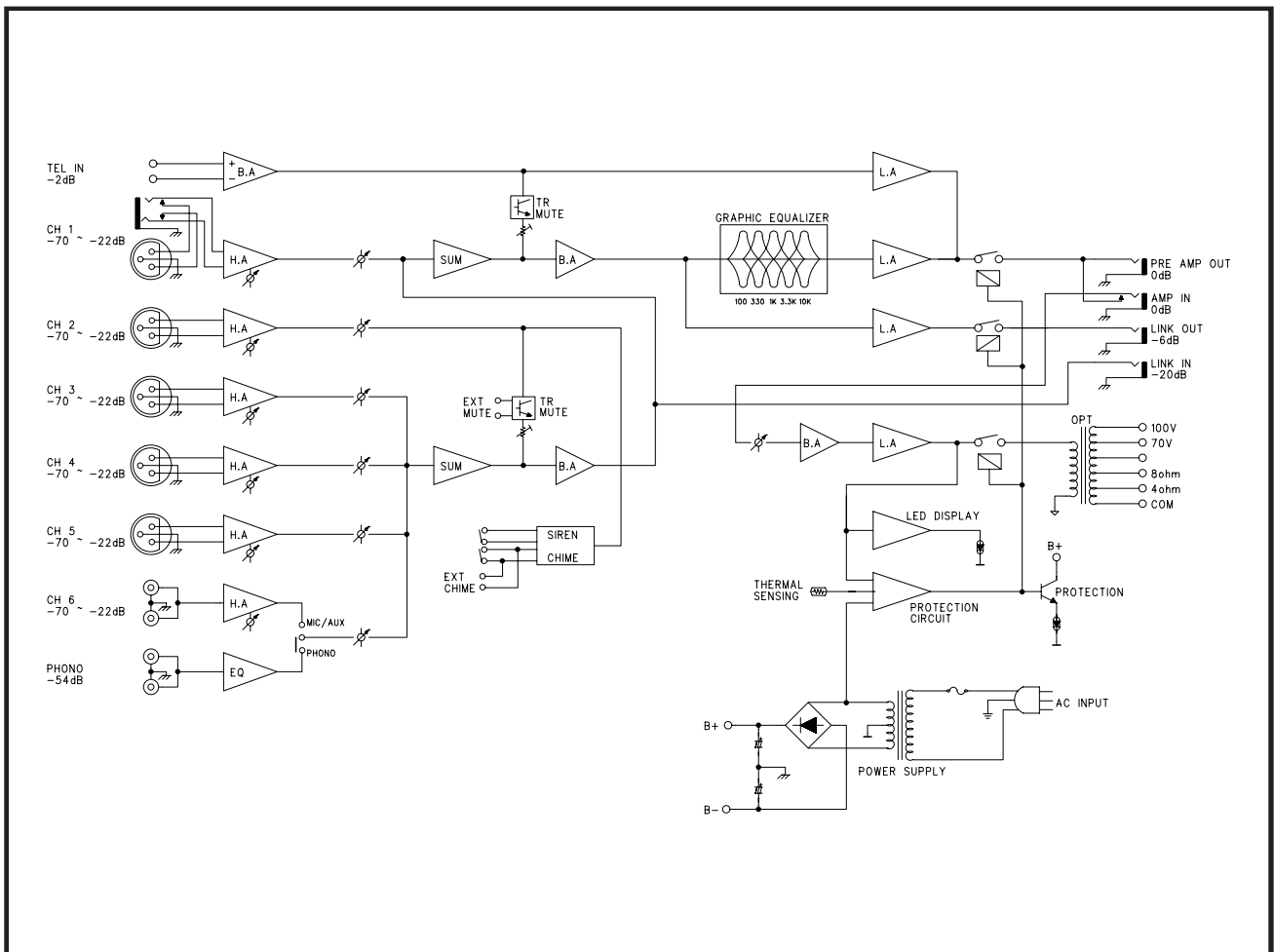
SPECIFICATIONS

- ELECTRICAL * 0dB=0.775Vrms
 - Rated Output (RMS)PA-2000A: 60W
PA-4000A: 120W
 - Frequency Response.....60Hz-20kHz
 - Total Harmonic Distortion(T.H.D)Less than 1%
 - Signal to Noise Ratio (S/N)105dB
 - Graphic Equalizer±12dB
(100Hz, 330Hz, 1kHz, 3.3kHz, 10kHz)
 - Input Sensitivity/Impedance
 - CH1-CH6-70~-22dB/600Ω
 - Phono.....-54dB/22kΩ
 - Link In-20dB/15kΩ
 - Telephone In.....-2dB/600Ω
 - Amp In.....0dB/47kΩ
 - Speaker Output/Impedance
 -PA-2000A: 60W: 4Ω, 8Ω, 83Ω(70V), 165Ω(100V)
 - PA-4000A: 120W: 4Ω, 8Ω, 42Ω(70V), 83Ω(100V)
 - Amp Out/Impedance0dB/600Ω
 - Link Out/Impedance-6dB/600Ω
- GENERAL
 - Power Source..100-120VAC or 220-240VAC; 50/60Hz
(Supplied AC mains transformer depends on country requirements)
 - Power ConsumptionPA-2000A: 95W
PA-4000A: 120W
 - WeightPA-2000A: 10kg/22lb
PA-4000A: 12kg/26lb
 - DimensionsPA-2000A: 420(W)x100(H)x320(D)mm
16.5(W)x3.9(H)x12.5(D)in
PA-4000A:420(W)x133(H)x320(D)mm
16.5(W)x5.2(H)x12.5(D)in

PA-2000A/4000A



BLOCK DIAGRAM



interM

OFFICE : 653-5 BANGHAK-DONG, DOBONG-KU, SEOUL, KOREA TEL : 82-2-2289-8140-8, FAX : 82-2-2289-8149
Home page : <http://www.inter-m.com> E-mail : export@inter-m.com