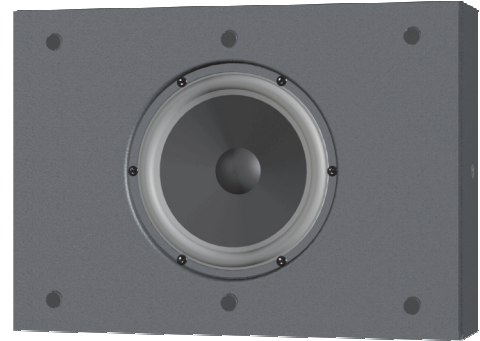


## DESCRIPTION

The **Micro-Sub 6** is a high definition subwoofer designed for permanent installation. It uses a 6" low frequency driver in a very compact sealed enclosure.

Working in conjunction with external DSP processing, it achieves maximum bass output from a minimum enclosure size. DSP options include an Innovox proprietary powered system processor, or DSP configurations from our free library for Biamp, BSS and Symetrix processors.

The **Micro-Sub 6** complements the Innovox *Slim Line Series* of shallow profile surface-mount loudspeakers and the *Flex-Video Series* of display-mounted loudspeakers. It also is used as a low-bass component in extended range distributed audio systems.



(shown without grille)

### KEY FEATURES:

- ultra compact profile
- excellent transient response
- 45 Hz low frequency extension
- minimum depth (only 4.1 in.)

### APPLICATIONS:

- theme venues and restaurants
- boardrooms
- video presentation / program audio
- retail spaces

### NOMINAL DATA

Frequency Response	45 – 350 Hz ± 3 dB
Impedance	8 Ω
Power Handling	175W long term program (AES-2)
Maximum Output	102 dB long term; 108 dB peak
Dimensions	height: 10.13 " / 257 mm width: 14.13 " / 359 mm depth: 4.1 " / 104.1 mm
Net Weight	10.5 lbs / 4.8 kg
Shipping Weight	12 lbs / 5.5 kg

### DESCRIPTIVE DATA

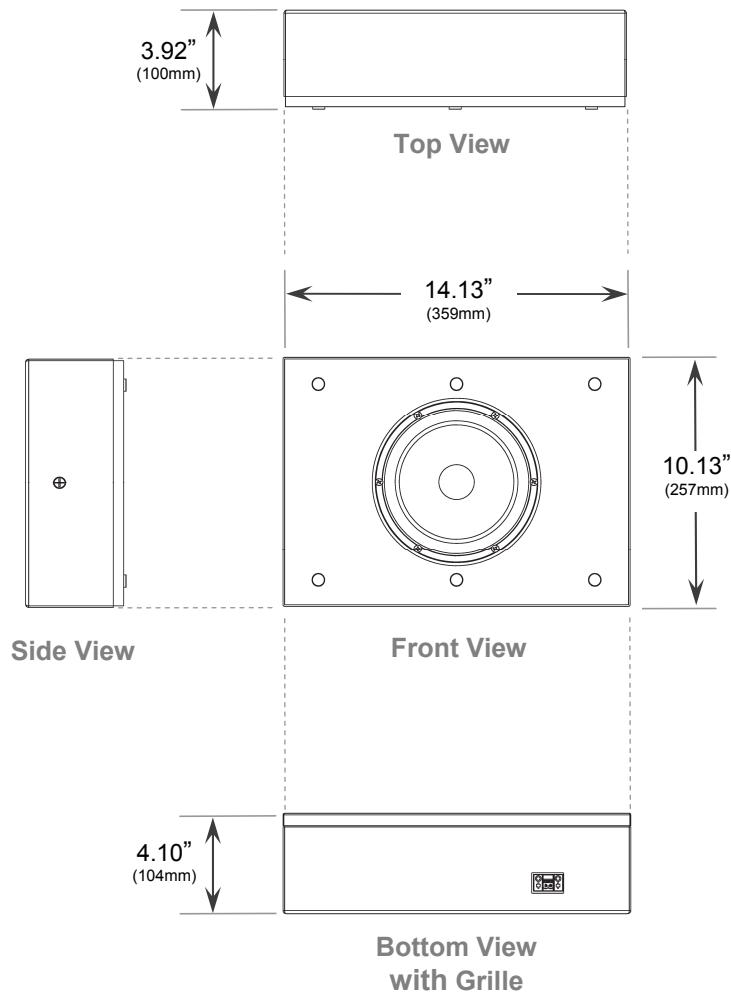
System Configuration	Dedicated Low frequency
Components & Loading	(1) 6 " LF driver, sealed
Recommended High-Pass Filter	4 <sup>th</sup> order Butterworth @ 40 Hz
Cabinet Type	Rectangular, sealed
Enclosure Material	Hardwood multi-ply plywood
Finish	Black or White (custom colors available)
Connectors	Dual binding head screws
Suspension Hardware	steel yoke
Grille	Powder-coated perforated steel standard

#### West Coast Office

1155-C Arnold Drive, #231  
Martinez CA 94553  
ph: **925 372-8156**  
email: orders@innovoxaudio.com

#### Central Office

296 North Pascal Street  
Saint Paul MN 55104  
ph: **612 379-0100**  
email: sales@innovoxaudio.com

**DIMENSIONAL DRAWINGS****West Coast Office**

1155-C Arnold Drive, #231

Martinez CA 94553

ph: **925 372-8156**email: [orders@innovoxaudio.com](mailto:orders@innovoxaudio.com)**Central Office**

296 North Pascal Street

Saint Paul MN 55104

ph: **612 379-0100**email: [sales@innovoxaudio.com](mailto:sales@innovoxaudio.com)