

Universal Wall and Ceiling Speaker Mounts



The universal wall and ceiling mount provides the ultimate flexibility in mounting to achieve premium sound quality. Speakers up to 20lb can be mounted to the wall or ceiling. The ball and socket design allows for multi-directional positioning.

- Easy to install
- Wires can be hidden, mounting screws are concealed
- Can be used with or without 3" extension
- 75 degrees of rotational adjustment

SPK 811/
SPK 811W



Universal Wall and Ceiling Speaker Mounts

Model Numbers

SPK 811
SPK 811W

Product Specifications

- Ball and socket design for multi-directional positioning
- 75° range of adjustment in all directions
- Speaker wires can be hidden for an aesthetically appealing installation
- Concealed mounting screws
- Can be assembled as a flush mount or used with a 3" extension
- Hardware for wood studs, metal studs, concrete and drywall
- Fastener pack contains hardware for mounting most commercially available speakers

FEATURES

LOAD CAPACITY

20lb (9.1kg)

DIMENSIONS (W x H x D)

2.02" x 3.27" x 2.43" (5.1 x 8.3 x 6.2cm)
With extension: 2.02" x 3.27" x 4.72" (5.1 x 8.3 x 11.99cm)

PRODUCT WEIGHT

0.72lb (0.3kg)

MATERIAL

Engineered Polymer Materials

AVAILABLE COLOR

Black: SPK 811
White: SPK 811W

PACKAGE CONTENTS

Package Specifications

Mount, extension, hardware
(see technical data sheet
for hardware specifications)

UNITS IN PACKAGE

1

PACKAGE SIZE (W x H x L)

9.125" x 6.75" x 2.5" (23.8 x 17.4 x 6.4cm)

PACKAGE SHIP WEIGHT

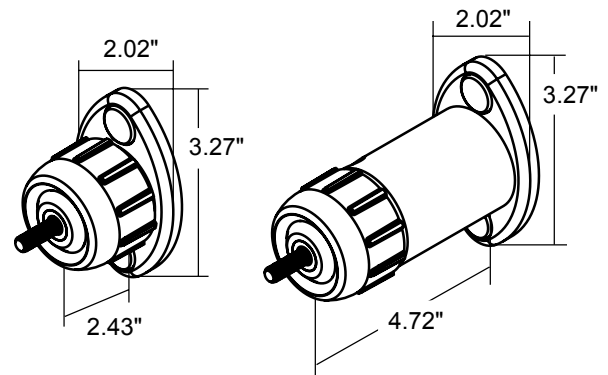
0.96lb (0.4kg)

PACKAGE UPC CODE

SPK 811: 735029214823
SPK 811W: 735029214830

WARRANTY

Limited 5-year



Peerless Industries, Inc.
2300 White Oak Circle,
Aurora, IL 60502

(800) 865-2112
(630) 375-5100

Fax: (800) 359-6500
www.peerlessmounts.com

Visit www.peerlessmounts.com to see the complete line of AV solutions from Peerless, including flat panel mounts, projector mounts, carts/stands, furniture, cables, screen cleaners and a full assortment of accessories.

© 2011 Peerless Industries, Inc. All rights reserved.

LIT-0026 rev.2