



## 9-inch, Full HD (1920 x 1080 Pixels) Resolution

The LMD-941W is a 9-inch\*, Full HD resolution (1920 x 1080 pixels) high-performance LCD monitor incorporating 10-bit signal processing and Sony's unique ChromaTRU™ technology to deliver superb picture performance and consistency. It also offers a convenient compact size with the mobility and smart functions required for both indoor and outdoor use.

This LMD-941W is ideal for a wide range of professional monitoring applications including use in an editing studio, and for outside broadcast, acquisition, and field production, to name but a few.

\*227-mm viewable area, measured diagonally.

### ■ Full HD 1920x1080 Pixels IPS LCD Panel with LED Backlight

The full HD resolution LCD panel delivers crisper images and allows users easier picture evaluation.

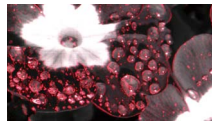
### ■ Two 3G/HD/SD-SDI Inputs

The LMD-941W is equipped with standard interfaces including 3G/HD/SD-SDI (x2) inputs, composite (x1), and HDMI (x1).



### ■ Camera Focus Function

The camera focus function works in various colours to ease camera focus alignment.



### ■ Intra-Field I/P Mode

Full HD images via SDI input can be reproduced naturally with process latency of less than one field.

### ■ Mobility and Flexibility

The various range of accessory items further increases user flexibility and convenience. The retractable handle allows users to carry this monitor anytime, anywhere, and the supplied arm-mount bracket makes it easy to mount this monitor into a camera system.



Retractable handle (supplied)



Arm-mount bracket is attached on the top

### ■ Waveform Monitor and Vector Scope

The combination of the vector scope and waveform monitor functions allows simple measurement without additional measurement equipment.



Waveform monitor image



Vector scope image

## Specifications (tentative)

Picture Performance	
Panel	a-Si TFT Active Matrix LCD
Picture size (diagonal)	227.0 mm 9 inches
Effective picture size (H x V)	198.7 x 111.8 mm 7 7/8 x 4 1/2 inches
Resolution (H x V)	1920 x 1080 pixels (Full HD)
Aspect	16:9
Colours	Approx. 16.7 million colours
Viewing angle	89°/89°/89°/89° (typical) (up/down/left/right contrast > 10:1)
Input	
Composite	BNC (x1) 1.0 Vp-p ±3 dB sync negative
SDI	BNC (x2)
HDMI	HDMI (x1) (HDCP correspondence)
Audio	Stereo mini jack (x1) -5 dBu 47 kilohms or higher
Parallel remote	Modular connector 8-pin (x1) (pin-assignable)
Serial remote	RJ-45 modular connector (Ethernet) (x1) (10BASE-T/100BASE-TX)
DC in	XLR-type 4-pin (male) (x1) DC 12 V (output impedance 0.05 ohms or less)
Output	
Composite	BNC (x1)
SDI	BNC (x1)
Audio monitor out	Stereo mini jack (x1)
Speaker (built-in)	0.5 W (mono)
Headphones output	Stereo mini jack (x1)
General	
Power requirements	AC 100 V to 240 V 50/60 Hz DC 12 V
Dimensions (W x H x D) (with stand)	222.4 x 183.5 x 161.8 mm 8 7/8 x 7 1/4 x 6 3/8 inches (when AC adaptor is attached)
Dimensions (W x H x D) (without stand)	222.4 x 166.0 x 70.0 mm 8 7/8 x 6 5/8 x 2 7/8 inches (when AC adaptor is detached)
Mass (with AC adaptor)	2.6 kg (5 lb 12 oz)
Mass (without AC adaptor)	2.0 kg (4 lb 6 oz)
Supplied accessories	AC power cord (1), AC plug holder (1), AC adaptor (1), Handle (1), Arm mount bracket (1), Screws (4), Operating Instructions (1), CD-ROM (1), Using the CD-ROM manual (1)

## Optional Accessories



**MB-531**  
Mounting Bracket



**MB-532**  
Mounting Panel

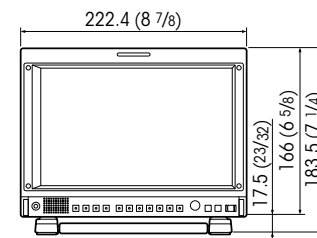


**VF-510**  
ENG Kit (Viewing Hood, Carrying  
Handle and Connector Protector)

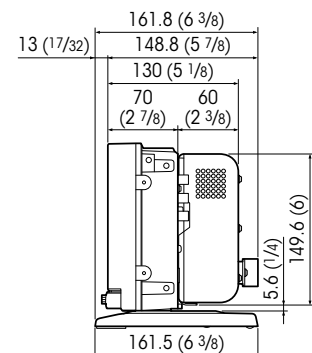
## Dimensions

Units: mm (inches)

Front



Side



## Distributed by

©2012 Sony Corporation. All rights reserved.  
Reproduction in whole or in part without written permission is prohibited.  
Features and specifications are subject to change without notice.

Screen images are simulated.

The values for mass and dimension are approximate.  
"SONY", "make.believe", and "ChromaTRU" are trademarks of Sony Corporation.

HDMI is a trademark of HDMI Licensing, LLC.  
All other trademarks are the properties of their respective owners.