

SwivelBeam™

Suspension and Aiming for Single Cabinets

The SwivelBeam is an easy to use load-rated and off the shelf loudspeaker rigging and aiming system from single loudspeakers to full line arrays. It is ideal for aiming sound in left and right of house configurations and provides side and backfills where speakers cannot be wall mounted.

The upper cross arm of the SwivelBeam rigs from two overhead suspension points. The lower cross arm supports the loudspeaker and rotates relative to the upper section, horizontally, up to 360°.

This gives the installer precise horizontal aiming of sound.

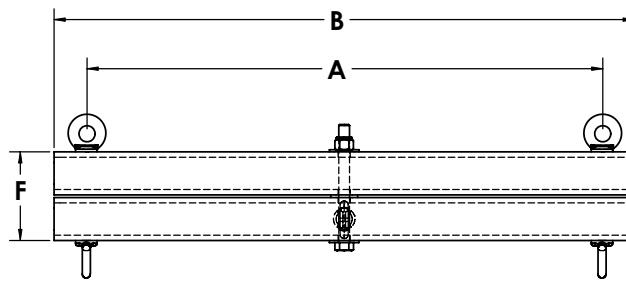
For precise vertical aiming, a self-contained pull back point is offered to tilt & secure the cabinet located behind the lower cross arm.

Typical venues include theatres, churches, school auditoriums, gymnasiums, sport arenas, meeting halls and theme park attractions.

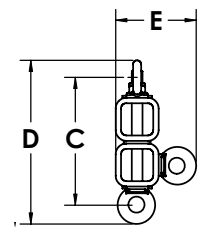
SPECIFICATIONS:

| | |
|---------------------|-----------------------------|
| Material: | Alloy structural steel tube |
| Finish: | Powder coat paint |
| Color: | Black |
| Working load limit: | 250 lbs. |
| Design factor: | 5:1 ratio |
| Pack count: | 1/carton |

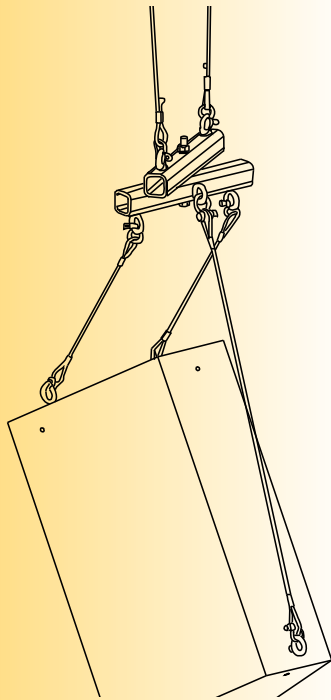
DIMENSIONS:



Front View



Standard Pull-Back Configuration



OPTIONAL ACCESSORIES:

1. Wire Rope Supplies
2. Eyebolts, Shackles, Turnbuckles
3. Beam Clamps, Swivel Rings, Truss Clamps

ONE-WAY-ARRAY DIMENSION TABLE

| Part Number | A | B | C | D | E |
|-------------|-------|-------|------|------|-------|
| SB-10 | 10.0" | 13.0" | 6.0" | 8.5" | 4.86" |
| SB-14 | 14.0" | 17.0" | 6.0" | 8.5" | 4.86" |
| SB-18 | 18.0" | 21.0" | 6.0" | 8.5" | 4.86" |
| SB-24 | 24.0" | 27.0" | 6.0" | 8.5" | 4.86" |
| SB-30 | 30.0" | 33.0" | 6.0" | 8.5" | 4.86" |
| SB-38 | 38.0" | 41.0" | 6.0" | 8.5" | 4.86" |

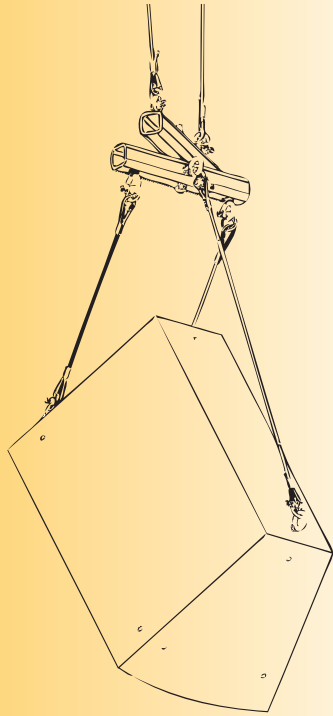


A division of:
ADAPTIVE TECHNOLOGIES GROUP
 1637 E. Burnett Street
 Signal Hill, CA 90755 USA
 PH: 562.424.2200 FX: 562.424.1127

www.atmflyware.com

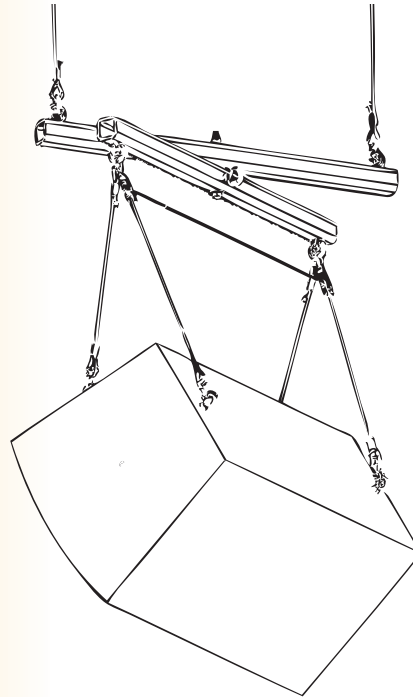
SwivelBeam

Suspension and Aiming System



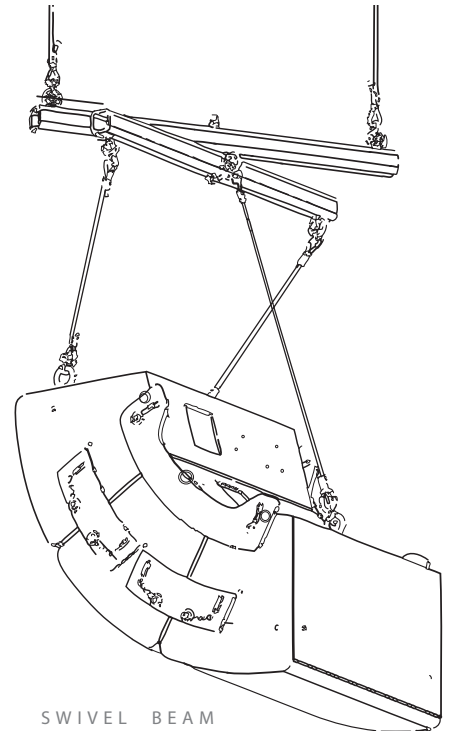
SWIVEL BEAM
WITH SINGLE TILT KIT

The SwivelBeam offers permanent eye fittings and a rear extended eye fitting for use as a pull back. The tops of loudspeakers are suspended under the lower eye fittings with two wire rope assemblies and a third wire rope is attached between a back point of the loudspeaker and the extended eye fitting, of the lower cross arm tilting the loudspeaker downward.



SWIVEL BEAM
WITH DUAL TILT KIT

Lorem ipsum dolor sit amet, consectetur adipiscing elit. Nunc euismod suscipit tellus, sit amet posuere sapien fringilla ac. Morbi metus risus, molestie a sagittis et, tincidunt adipiscing purus. Lorem ipsum dolor sit amet, consectetur adipiscing elit. Nunc euismod suscipit tellus, sit amet posuere sapien fringilla ac. Morbi metus risus, molestie a sagittis et, tincidunt adipiscing purus.



SWIVEL BEAM
WITH LINE ARRAY

Lorem ipsum dolor sit amet, consectetur adipiscing elit. Nunc euismod suscipit tellus, sit amet posuere sapien fringilla ac. Morbi metus risus, molestie a sagittis et, tincidunt adipiscing purus. Lorem ipsum dolor sit amet, consectetur adipiscing elit. Nunc euismod suscipit tellus, sit amet posuere sapien fringilla ac. Morbi metus risus, molestie a sagittis et, tincidunt adipiscing purus.



A division of:
ADAPTIVE TECHNOLOGIES GROUP
1637 E. Burnett Street
Signal Hill, CA 90755 USA
PH: 562.424.2200 FX: 562.424.1127

www.atmflyware.com

WARNING: Mounting and/or suspension loudspeakers requires experienced professionals. Improperly installed loudspeakers can result in property damage, personal injury and/or liability to the installing contractor.