

# Installation Series

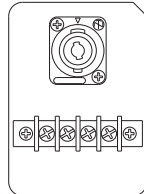
## Speaker System



IF2112



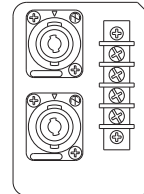
IF2112 (M)  
Rear Panel



IF2112/AS



IF2112/AS  
Rear Panel



IF2112

IF2112M

IF2112/AS

***Two-way full-range models with 12-inch woofers deliver extraordinarily well-balanced sound.***

- Sound and phase characteristics matched with all other Installation Series models for optimum performance in any combination.
- 12" woofer specially treated for superior sound and durability.
- 3" high-frequency compression driver with 1.4" exit (IF2112 and IF2112/AS) or 1.7" high-frequency compression driver with 1.4" exit (IF2112M).
- Three horn dispersion patterns available for IF2112 and IF2112M: 60° x 40° (/64), 90° x 50° (/95), and 90° x 90° (/99).
- Horn can be rotated 90-degrees for vertical or horizontal mounting.
- Switchable between passive and bi-amp operation.
- Fifteen 10-mm (M10) screw and four 8-mm (M8) screw suspension points provided for flexible rigging on the IF2112 and IF2112M; 16 10-mm screw (M10) points on the IF2112/AS.
- Durable black or white finish (can be painted to match any interior).
- Optional matching array frame and U-bracket available for the IF2112 and IF2112M.
- Optional matching U-bracket available for the IF2112/AS.
- Parallel-wired Neutrik NL4 and barrier strip connectors.
- Downloadable Y-S3 (Yamaha Sound System Simulator) software offers precise performance rigging simulation for Installation Series speakers.
- IF2112/AS cabinet design is also ideal for floor monitor use.

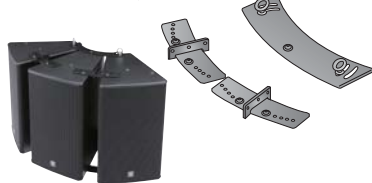
### OPTIONS

#### Accessories

Durable black or white finish which can be painted to match any interior.

#### HAF3-2112

Horizontal Array Frame

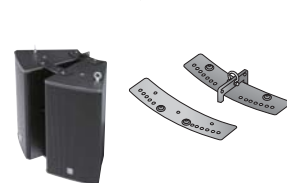


Weight:  
9kg (19.8lbs)

\*available for IF2112 and IF2112M

#### HAF2-2112

Horizontal Array Frame



Weight:  
4kg (8.8lbs)

\*available for IF2112 and IF2112M

#### VAF2-2112

Vertical Array Frame



Weight:  
4kg (8.8lbs)

\*available for IF2112 and IF2112M

#### UB2112

U-Brackets



Weight:  
4kg (8.8lbs)

Download the Rigging Guide from Yamaha's website for rigging details:

<http://www.yamahaproaudio.com/>

# Installation Series

## GENERAL SPECIFICATIONS

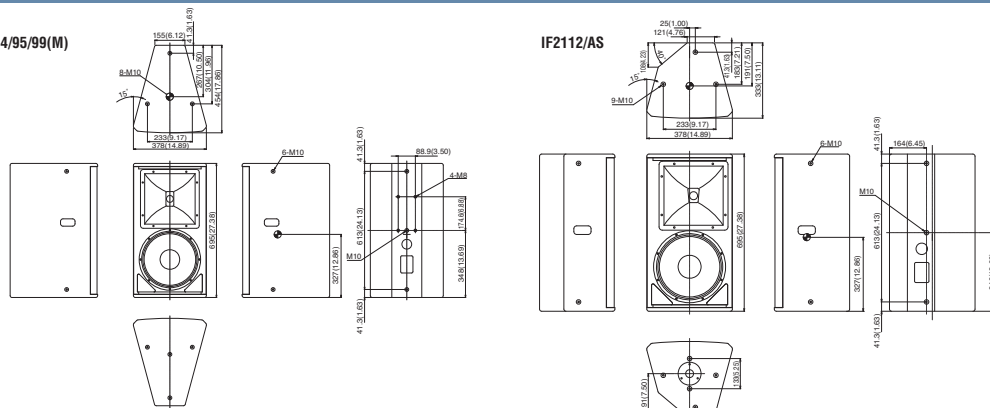
MODEL	IF2112/64(W)		IF2112/95(W)		IF2112/99(W)		IF2112/AS(W)	
Nominal coverage @-6dB (Horizontal x Vertical)	60 x 40 (rotatable)		90 x 50 (rotatable)		90 x 90		60-100 x 60 (rotatable)	
Nominal impedance	Passive				8Ω			
	Bi-amp LF/HF				LF:8Ω, HF:8Ω			
Power rating	Passive *1	NOISE			600W			
		PGM			1200W			
		MAX			2400W			
		Bi-amp LF/HF *2	NOISE			LF:700W, HF:110W		
		PGM			LF:1400W, HF:220W			
		MAX			LF:2800W, HF:440W			
Recommended amplifier	Passive			T5n, PC9501N, XP7000				
	Bi-amp LF/HF			LF:T5n, PC9501N, HF:XP1000, PC2001N				
Sensitivity (1W, 1m)	Passive			96dB SPL				
	Bi-amp	LF	110dB SPL	108dB SPL	106dB SPL	108dB SPL		
Continuous SPL (calculated)	Passive			124dB SPL				
	Bi-amp	LF	130dB SPL	128dB SPL	124dB SPL	126dB SPL	128dB SPL	
Peak SPL (calculated)	Passive			130dB SPL				
	Bi-amp	LF	136dB SPL	134dB SPL	130dB SPL	132dB SPL	134dB SPL	
Components	LF			12" woofer, 4" voice coil				
	HF			Rotatable constant directivity horn, 1.4" exit, 3" voice coil compression driver				
Frequency range (-10dB) *3			900 Hz		1.2 kHz		1.1 kHz	
Passive Crossover Frequency *4								
Connectors			1x NL4 and barrier strip, wired in parallel				2x NL4 and barrier strip, wired in parallel	
Shape			30 degrees trapezoidal				Multi-angle wedge	
Dimensions (W x H x D)			378 x 695 x 454mm (14.9" x 27.4" x 17.9")				378 x 695 x 333mm (14.9" x 27.4" x 13.1")	
Weight			31.0kg (68.0lbs)				29.0kg (64lbs)	
Flying hardware			15 x M10, 4 x M8				16x M10	
Optional accessories			UB2112(W), HAF2-2112(W), HAF3-2112(W), VAF2-2112(W)				UB2112(W)	
3rd Party Accessories	Omnimount (US)			120.0 series				-
	Multimount (US, Allen products)			120 series				-
	Powerdrive (UK)			120 series				-
	Ohashi (Japan)							-

\*1 2 hours, IEC \*2 AES \*3 Bi-amp mode, Yamaha recommended DSP configuration, full-space \*4 At this frequency, the transducers produce equal sound pressure levels.

MODEL	IF2112M/64(W)		IF2112M/95(W)		IF2112M/99(W)	
Nominal coverage @-6dB (Horizontal x Vertical)	60 x 40 (rotatable)		90 x 50 (rotatable)		90 x 90	
Nominal impedance	Passive				8Ω	
	Bi-amp LF/HF				LF:8Ω, HF:8Ω	
Power rating	Passive *1	NOISE			350W	
		PGM			700W	
		MAX			1400W	
		Bi-amp LF/HF *2	NOISE			LF:400W, HF:60W
		PGM			LF:800W, HF:120W	
		MAX			LF:1600W, HF:240W	
Recommended amplifier	Passive			T3n, PC6501N, XP7000		
	Bi-amp LF/HF			LF:T3n, PC6501N, XP7000, HF:XP1000, PC2001N		
Sensitivity (1W, 1m)	Passive			95dB SPL		
	Bi-amp	LF	110dB SPL	108dB SPL	108dB SPL	
Continuous SPL (calculated)	Passive			120dB SPL		
	Bi-amp	LF	128dB SPL	121dB SPL	126dB SPL	
Peak SPL (calculated)	Passive			126dB SPL		
	Bi-amp	LF	134dB SPL	127dB SPL	132dB SPL	
Components	LF			12" woofer, 3" voice coil		
	HF			Rotatable constant directivity horn, 1.4" exit, 1.7" voice coil compression driver		
Frequency range (-10dB) *3			55Hz-20kHz		1.1 kHz	
Passive Crossover Frequency *4	1 kHz					
Connectors			1x NL4 and barrier strip, wired in parallel			
Shape			30 degrees trapezoidal			
Dimensions (W x H x D)			378 x 695 x 454mm (14.9" x 27.4" x 17.9")			
Weight			28.0kg (61.0lbs)			
Flying hardware			15 x M10, 4 x M8			
Optional accessories			UB2112(W), HAF2-2112(W), HAF3-2112(W), VAF2-2112(W)			
3rd Party Accessories	Omnimount (US)			120.0 series		
	Multimount (US, Allen products)			120 series		
	Powerdrive (UK)			120 series		
	Ohashi (Japan)					

\*1 2 hours, IEC \*2 AES \*3 Bi-amp mode, Yamaha recommended DSP configuration, full-space \*4 At this frequency, the transducers produce equal sound pressure levels.

## DIMENSIONS



unit : mm (inch)