

LTS 240 Dual C+D

State-of-the-art technology, solid construction, reliable performance and quality audio transmission at an extraordinary price-performance ratio – that's what LEWITT's LTS 240 Dual C & LTS 240 Dual D wireless start-up kits stand for. Designed for entry-level users, these versatile, compact wireless systems offer artists and engineers easy-to-use wireless technology, delivering natural and distortion-free sound on small stages, at events or karaoke performances.

Users can choose between systems with condenser (LTS 240 Dual C) or dynamic capsules (LTS 240 Dual D). Each set contains two high-quality handheld transmitters featuring a convenient LED display indicating battery status, a quick-acting screw thread closure and two AA batteries for up to 10 hours continuous use, as well as a rugged half-rack receiver with a sturdy metal housing.

Simply unplug and rock!



Features

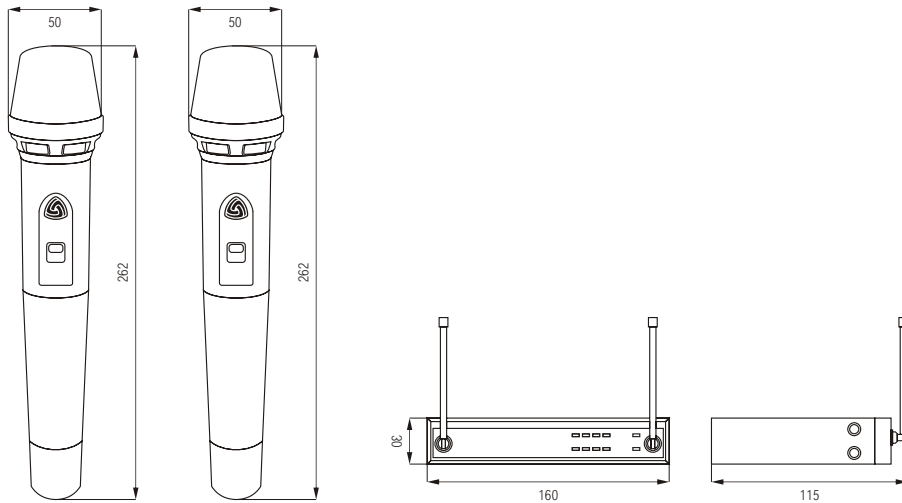
- LTS 240 Dual C and D wireless systems are the perfect choice for entry-level users looking for durable gear that delivers distortion-free, natural sound in live and karaoke performances
- LTS 240 Dual C kit includes two handheld transmitters featuring quality condenser capsules and a half-rack receiver
- LTS 240 Dual D kit includes two handheld transmitters featuring quality dynamic capsules and a half-rack receiver
- Solid handheld transmitters with a hexagonal side grille and a stylish, matte black finish
- Transmitters are equipped with two AA batteries for up to ten hours continuous performance, a convenient LED display indicating battery status and On/Off/Mute switch
- Half-rack metal-case receiver with a matte black finish
- Receiver features pre-programmed frequencies, FM modulation, UHF antennas, XLR and unbalanced (6.3 phone plug) outputs
- Four-part RF-level LED display and AF-level LED display
- Squelch and volume level controls
- Comes in a cardboard box with foam layers; includes GTS 40 MCs shock mount

Accessories



Top applications

- Live applications
- Houses of worship
- Conferencing
- Karaoke
- Home entertainment



Tech data

Transmitters

- Transmission principle: UHF, FM
- Available channels: 2 fixed
- RF carrier frequency ranges: 863 - 865 MHz
- Modulation: FM (25 kHz max. deviation), compander system with pre- and de-emphasis
- Audio bandwidth: 70 ... 18,000 Hz
- THD: < 0.5% typical
- Signal/noise ratio: > 80 dB-A typical
- RF radiation: 10 mW
- Battery life: 2 pcs AA size dry batteries, 10 hours typ.
- Dimensions: 50 dia. x 262 mm
1.96 dia. x 10.3 inch
- Net weight: 270 g
9.5 oz.

Receiver

- Audio outputs: balanced 3-pin XLR, unbalanced TS 1/4" jack
- Gain adjustment range: 0 - 6 dB
- Squelch: yes
- Dimensions: 160 x 115 x 30 mm
6.3 x 4.5 x 1.2 inch
- Net weight: 545 g
19.2 oz.



SOUNDS LIKE



LEWITT