



### Product Specification

	TH-103PB1E	TH-85PB1E
<b>DISPLAY</b>		
Screen Size (Diagonal)	103-inch (2,603 mm)	85-inch (2,167 mm)
Aspect Ratio	16:9	
Effective Display Area (WxH)	2,269 x 1,276 mm	1,889 x 1,062 mm
Number of Pixel (H x V)	1,920 x 1,080 pixels	
Number of pixels (H x V)	1,182 x 1,182 mm	0,984 x 0,984 mm
Contrast Ratio*1	40,000:1	
Gradation	6,144 Steps [Equivalent]	
Panel Life*2	Approx. 100,000 Hours	
Touch Technology	Plasma Light Detection System	
<b>CONNECTION TERMINAL</b>		
Video In	BNC x 1	
Audio In (L/R)	RCA x 1 set (Shared with Component/RGB In)	
Component/RGB In	BNC x 3	
Audio In (L/R)	RCA x 1 set (Shared with Video In)	
HDMI In	HDMI Type A Connector x 1	
DVI-D In	DVI-D 24-pin x 1	
Audio In (L/R)	M3 Jack x 1 (Shared with PC In)	
PC In	Mini D-sub 15-pin x 1	
Audio In (L/R)	M3 Jack x 1 (Shared with DVI-D In)	
Audio Out (L/R)	RCA Pin Jack x 2 (L/R)	
Wireless I/F	Wireless Module (ET-WM200E) terminal x1	
Function Slot: SLOT2.0	1 (Vacant)	
<b>CONTROL TERMINAL</b>		
LAN	RJ45 10BASE-T/100BASE-TX, compatible with PLink™	
Serial	D-Sub 9-pin x 1 (RS-232C Compatible)	
<b>ELECTRICAL</b>		
Power Requirements	AC 220 V-240 V 50 Hz/60 Hz	AC 220 V-240 V 50 Hz/60 Hz
Power Consumption	1,310 W	1,090 W
On Mode Average Power Consumption*3	Approx. 730 W	Approx. 620 W
Power off condition	Approx. 0.3 W	Approx. 0.3 W
Stand-by Condition	Approx. 0.5 W	Approx. 0.5 W
<b>SOUND</b>		
Internal Speaker Output	8 Ω 20 W [10 W+10 W] [10% THD]	
<b>MECHANICAL</b>		
Dimensions (W x H x D)	2,412 x 1,419 x 123** mm	2,015 x 1,195 x 99 mm
Weight	Approx. 189 kg	Approx. 115 kg
Cabinet Colour	Black	
<b>ENVIRONMENTAL</b>		
Operating Environment	Temperature: 0°C to 40°C, Humidity: 20% to 80% (Non condensation), Altitude: 0 to 2,400 m	

\*1: The dark-room contrast ratio of the panel unit that can be displayed simultaneously on the same screen. Measured in "Dynamic" picture mode using a white signal in a 4% window.  
 \*2: Guideline operating hours before the panel brightness is reduced to half when the panel is used to display motion pictures in the Standard mode. Afterimages (burned-in images) and malfunctions are not taken into consideration.  
 \*3: Based on IEC 62087 Ed. 2 measurement method.  
 \*4: 134 mm when including the protruding portion of slot.

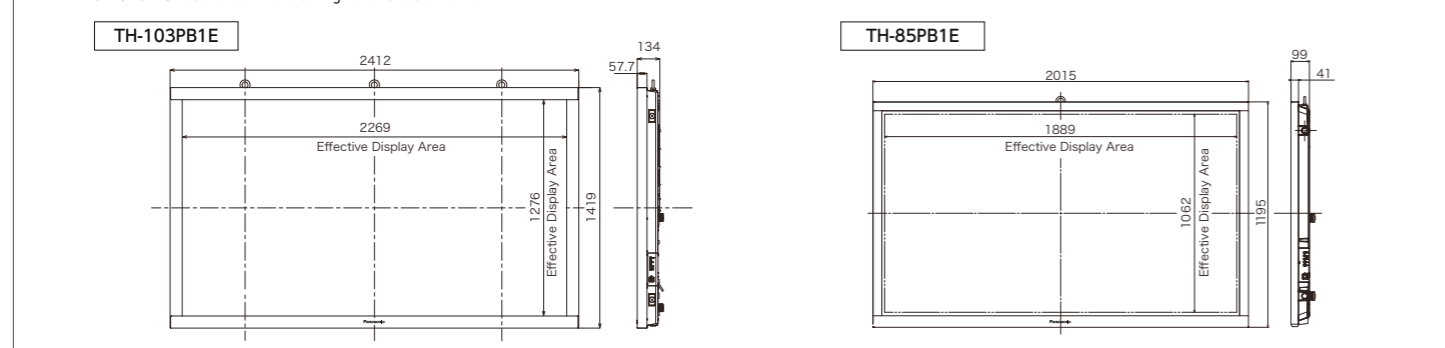
### Optional Accessories

Electronic Pen Kit TY-TPEN1PBW	Remote Pointer Kit TY-TPEN1RMW
Pedestal For 103-inch TY-ST103PF9	Easy Wireless Stick ET-UW100
For 85-inch TY-ST85P12	Wireless Module ET-WM200E
Floor Stand For 85-inch TY-ST85PF12	Ceiling-hanging Bracket For 103-inch TY-CE103PS10
	For 85-inch TY-CE85PS12
Wall-hanging Bracket For 103-inch TY-WK103PV9	Mobile Stand For 85-inch TY-ST85PB1
For 85-inch TY-WK85PV12	

### Function Boards

HD-SDI with Audio Terminal Board TY-FB10HD	BNC Dual Video Terminal Board TY-FB9BD	Dual Link HD-SDI Terminal Board TY-FB11DHD	Dual HDMI Terminal Board TY-FB10HMD	DVI-D Terminal Board TY-FB11DD
---	---	---	--	-----------------------------------

### Dimensions



## 103-inch / 85-inch Interactive Plasma Displays



# A large screen with the power to inform. Communication goes more smoothly by writing and linking with an Interactive Display.



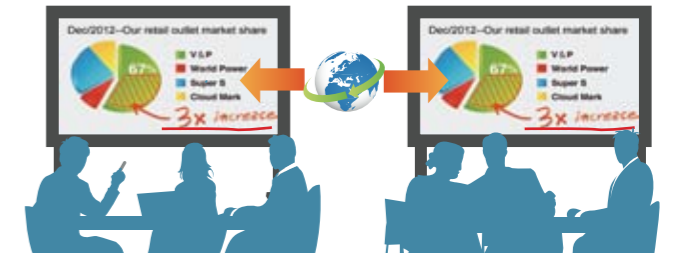
## Ideal for Various Situations

### For Presentations



Messages are relayed more clearly by writing directly into data  
Points can be made easier to understand by writing them directly into data displayed on the large screen.

### For Remote Meetings



Communication goes more smoothly by writing things down  
Data shared with another party in a remote location can be seen by everyone on the large screen. Using a Remote Pointer also clearly shows the other party the area that you are discussing.

### As a Whiteboard



Information can be easily shared by preserving written content  
Information written onto the board can be quickly and easily saved for use as minutes of the meeting. Also, if the meeting is interrupted, the previous data can be recalled to continue the discussion from where it left off.

### For Online Seminars



Understanding can be deepened by adding the main points  
By explaining your message while writing directly into data or educational materials, the remote party gets a clearer view of the points you want to relay.

## Versatile Interactive Performance

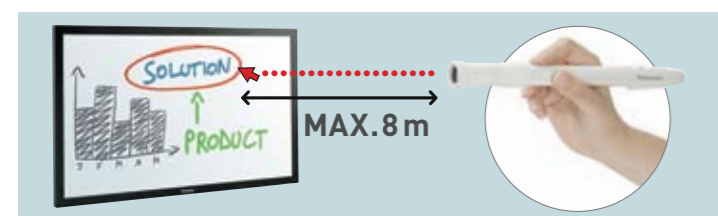
### No Driver Needed — Ready for Instant Use

There's no need to install a special driver. Simply register the Electronic Pen and Electronic Pen Adaptor to use the Electronic Pen as a mouse.



### Remote Pointer Works from a Distance

The Remote Pointer can be used for pointing or marking from up to 8 metres away. This prevents the audience's view from being blocked and helps to get the presenter's point across in seminars, lectures, and other situations where presentations are made to large groups of people.



### Smooth, Natural Writing

Highly accurate position detection and plasma-level drawing speed make it easy and comfortable to write precisely onto fine data or to quickly jot down notes. And since only the Electronic Pen detects the plasma illumination, there are no worries about errors when writing.



### Simultaneous Writing by Up to 4 People

The colour and writing style can be set for each pen, so individual opinions can be tracked when mind mapping or brainstorming.



## Easy Wireless Presentations from a PC or Tablet

PowerPoint®, Word, Excel, PDF and other data and images can be easily transmitted from your PC, iPad, iPhone, or iPod touch. There's also no need to switch cables when presenters change, and no need to worry about where in the room you are seated. Presentations go smoothly and easily.

### From PC



See this website for details:  
<http://panasonic.net/prodisplays/products/pbseries/function.html>

\* The optional ET-WM200E Wireless Module is required for wireless connection.  
\* Application software for wireless transmission or other dedicated application software is required.

### From iOS device



Writing with the Marker function is possible when using an iOS device.

### Multi-Live Mode

Up to 16 PC screens can be displayed simultaneously, so users can give presentations one after the other in a meeting easily.

### 4-Window Multi Style



### 4-Window Index Style



### 16-Window Index Style



## Plasma Picture Quality Reproduces Natural Colours

The wide viewing angle and faithful colour reproduction provide realistic images for graphic design and other topics that require lifelike colours and textures. Glare is also minimised to maintain high visibility.



## Durable, Easy-to-Clean Front Glass

The durable front glass is designed to hold up to impact and resist scratches during writing. When the glass becomes dirty, it can be easily cleaned by wiping with a soft cloth.

## Plasma Panel Lifetime of About 100,000 Hours

The lifetime of the plasma panel is approximately 100,000 hours.\* As a display used for daily presentation, it offers sharp, beautiful images for an extremely long period of time.

\* Guideline operating hours before the panel brightness is reduced to half when the panel is used to display motion pictures in the Standard mode. Afterimages (burned-in images) and malfunctions are not taken into consideration.