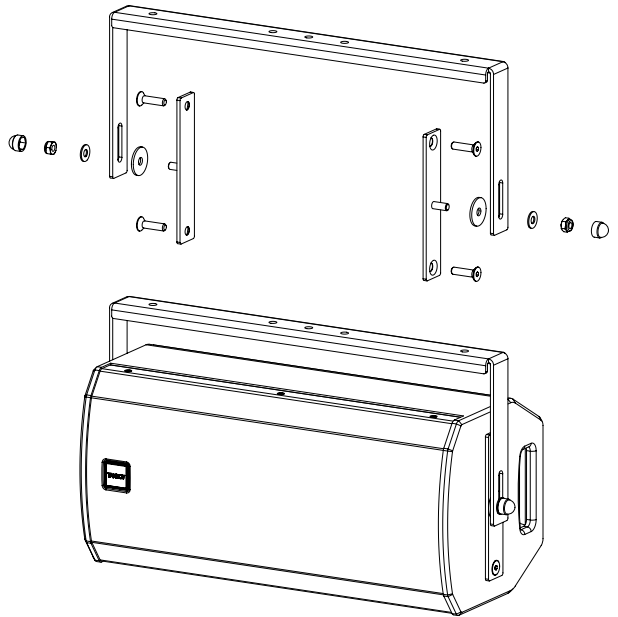


# TANNOY®

## VX SERIES

---

### Bracket Component Guide



## Rigging and Safety Procedures

The Tannoy Professional hardware covered in this guide has been designed to offer quick, simple, cost effective and secure solutions for mounting specific Tannoy Professional loudspeakers. This hardware has been designed and manufactured with a high safety load factor for its specific role. To ensure the safest possible use of the hardware covered in this guide, it must be assembled in strict accordance with the instructions specified. The information in these Operation Manuals relating to the assembly and the safe use of these accessories must be understood and followed.

The installation of Tannoy Professional loudspeakers - using the dedicated hardware - should be carried out only by fully qualified installers, in accordance with all the required safety codes and standards that apply at the place of installation. **WARNING:** As the legal requirements for mounting, suspending, hanging, flying or rigging equipment change from country to country, please consult your local safety standards office before installing any product. We also recommend that you thoroughly check any laws and bylaws prior to installation.

Tannoy Professional hardware has been designed for use with specific Tannoy Professional loudspeakers, and is not designed or intended for use with any other Tannoy Professional products, or any other devices. Using Tannoy Professional hardware for any purpose other than that indicated in this guide is considered to be improper use. Such use can be very dangerous: overloading, modifying, damaging, or assembling in a manner other than that clearly stated in the Operation Manual will compromise safety. The component parts of any Tannoy Professional hardware device must only be assembled using the accessory kits supplied and in strict compliance with the Operation Manual. The use of other accessories or non-approved methods of assembly may result in an unsafe hardware system by reducing the load safety factor. Welding, or any other method of permanently fixing hardware components together or to the integral fixing points in the cabinet, should never be used.

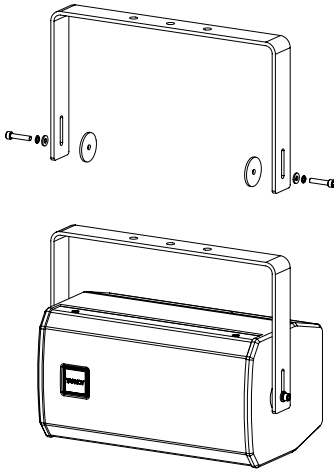
Whenever a Tannoy Professional loudspeaker is fixed to a surface using a Tannoy Professional hardware device, the installer must ensure that the surface is capable of safely and securely supporting the load. The hardware employed must be safely, and securely attached both to the loudspeaker and also to the surface in question, in accordance with the Operation Manual, using only the fixing holes provided as standard and covered in the manual. Secure fixings to the building structure are vital. Seek help from architects, structural engineers or other specialists if in any doubt. All loudspeakers flown in theatres, nightclubs, conference centres or other places of work and entertainment must be provided with an independent, correctly rated and securely attached secondary safety restraint in addition to the principal hardware device. This secondary safety restraint must prevent the loudspeaker from dropping more than 150 mm (6") should the principal hardware device fail.

Bracket component parts to be assembled in the orientations as shown. Please choose the appropriate style to suit the bracket provided.

Please note that white brackets don't include nut caps.

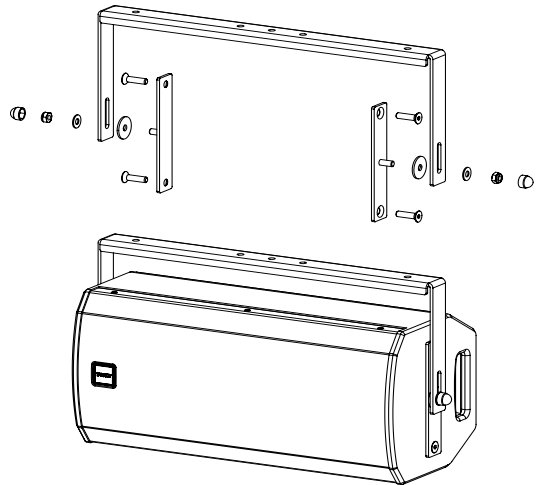
## Yoke Horizontal

To be used with: VX 5.2, VX 6 and VX 8.



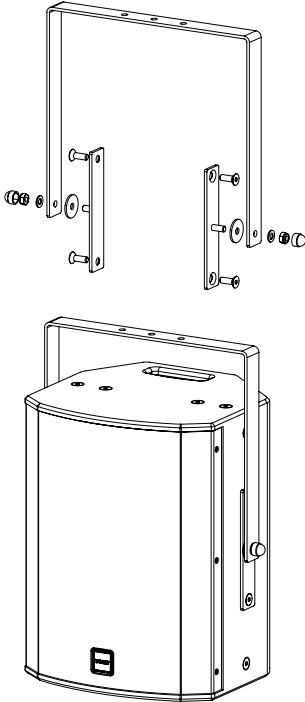
## Yoke Horizontal

To be used with: VX 8.2, VX 12, VX 12.2 and VX 15.



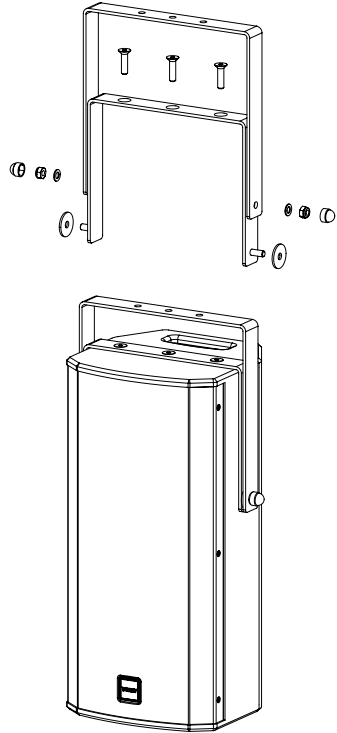
## Yoke Vertical

To be used with: VX 8.2, VX 12, VX 12.2 and VX 15.



## Yoke Vertical

To be used with: VX 8 and VX 8.2.



Tannoy (Direct UK)  
TCGI (ROW sales)  
TCGA (Americas sales)  
Tannoy Middle East

T: 00 44 (0) 1236 420199  
T: 00 45 8742 7000  
T: 00 1 (519) 745 1158  
T: 00 971 (04) 4401208

E: enquiries@tannoy.com  
E: info@tcgroup-international.com  
E: info@tcgroup-americas.com  
E: enquiries@tannoy.com

PART NUMBER: 6481 0601/0312

Tannoy adopts a policy of continuous improvement and product specification is subject to change. All trademarks remain the property of their respective owners. Copyright (c) 2012 Tannoy Limited. All rights reserved.