

60" CLASS (59.8" MEASURED DIAGONALLY)

60PA550C

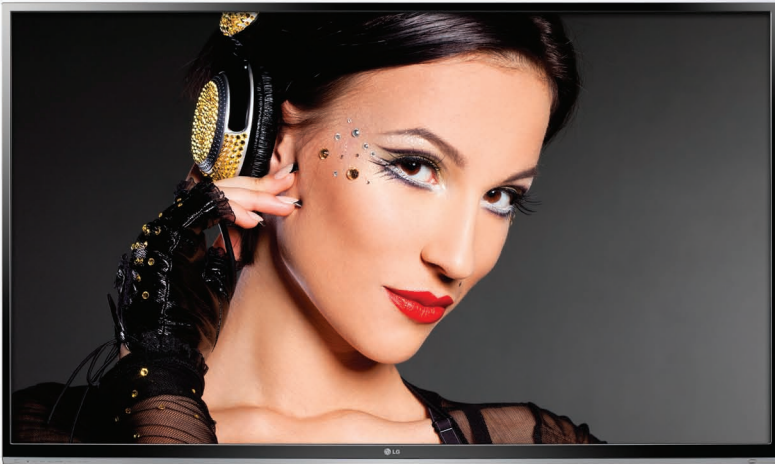
50" CLASS (49.9" MEASURED DIAGONALLY)

50PA550C

PLASMA TV

Plasma Widescreen

Commercial HDTV



PUBLIC DISPLAY SETTINGS
cloning capable



EcoSmart™ - ENERGY SAVINGS
Intelligent Sensor - Automatic
3 Mode Power Saving Levels - Manual

NEW! TruSlim FRAME
Narrow Bezel (top & sides)

NEW! SLIM DEPTH

IMPROVED! DYNAMIC CONTRAST RATIO
3,000,000:1

NEW! TRIPLE XD ENGINE®

RESOLUTION UPSCALER

NATIVE DISPLAY RESOLUTION
1920 x 1080

600HZ SUB FIELD DRIVING

SUPER BLACK PANEL

SMART ENERGY SAVING

INTELLIGENT SENSOR

CLEAR VOICE II

PICTURE WIZARD II

BUILT-IN TUNER
ATSC/NTSC/Clear QAM

USB 2.0 MEDIA HOST
for photos and music

3 HDMI™ INPUTS WITH HDCP

+20°/-20° DETACHABLE SWIVEL STAND

2-YEAR LIMITED WARRANTY
(parts/labor)

**ENERGY
GUIDE** ↓

The estimated annual energy cost determined in accordance with 16 CFR Part 305.5 for models 60PA550C & 50PA550C are \$35 & \$21, respectively.

"Your energy cost depends on your utility rates and use. The estimated cost is based on 11 cents per kWh and 5 hours of use per day. For more information, visit www.ftc.gov/energy."¹

¹FTC Television labeling rule (18 CFR Part 305, as added by 76 Fed. Reg. 1038 (Jan 6, 2011)).

LGsolutions.com



LG
Life's Good



LG's ISFccc READY HDTVs CONTAIN THE DETAILED STANDARDS NECESSARY FOR PROFESSIONAL CALIBRATION OF BRIGHTNESS, CONTRAST, TINT, SHARPNESS, COLOR LEVELS AND MUCH MORE TO MEET LOCAL LIGHTING CONDITIONS FOR BOTH DAY AND NIGHTTIME VIEWING. SETTINGS ARE ADDED TO PRESET MODES FOR EASY ACCESS FROM YOUR LG REMOTE.



BALANCED SOUND TO EMPHASIZE DIALOGUE CLEAR VOICE TECHNOLOGY AUTOMATICALLY ENHANCES DIALOGUE WHEN BACKGROUND SOUNDS SUCH AS THOSE IN AN ACTION SEQUENCE SWELL. ENHANCEMENTS MADE TO THE CLEAR VOICE TECHNOLOGY NOW ALLOW USERS TO CUSTOMIZE THEIR PERSONAL PREFERENCES BASED ON THEIR HOME ENVIRONMENT THROUGH A 12-STEP ADJUSTMENT PROCESS. THIS CALIBRATION PROCESS IS BASED ON DISTINCT VOICE ZOOM LEVELS SO AS TO MINIMIZE INTERFERENCE WITH SURROUNDING SOUNDS.



PEEL AWAY THE OLD STANDARD FOR ULTRA SLIM FRAMING. MEASURING AT 0.59 INCHES WIDETHE NEW TRUSLIM FRAME TRIMS AWAY THE DISTRACTION OF A WIDE FRAME.



EcoSmart



ENERGY SAVINGS

INTELLIGENT SENSOR

LG's Intelligent Sensor automatically enhances picture quality which can help save energy and money. Unlike other sensors which can only sense brightness of ambient light, the Intelligent Sensor uses a 12-bit process to evaluate its surroundings for a more detailed adjustment.

THREE MODE POWER SAVING LEVELS

Manually select your choice for the brightness level for the television. By selecting Minimum, Medium, or Maximum, the power consumption will be reduced and an increase in energy savings can be achieved.

POWER SAVING MODE	Off	Minimum	Medium	Maximum
Power Consumption	100%	90%+/-10%	75%+/-10%	50%+/-10%

NOTES: Power consumption was measured internally and can vary.

600Hz Sub Field Driving

The PA550C Series uses 600Hz Sub-field Driving which reacts very quickly to the changes on screen making fast action motion clearer.

Dramatization



SUB-FIELD 1 SUB-FIELD 2 SUB-FIELD 3 SUB-FIELD 4 SUB-FIELD 5 SUB-FIELD 6 SUB-FIELD 7 SUB-FIELD 8 SUB-FIELD 9 SUB-FIELD 10

Public Display Settings	
Public Display Mode	No
Start Channel	No
Ch. Type	TV
Major	2
Minor	0
Minimum Volume	0
Maximum Volume	100
Start Volume	No
Level	20
Power Management	No
Setting	1
Key Management	0
Factory Reset	0
Aspect Ratio	0

PUBLIC DISPLAY SETTINGS (v2.6)

When used in public areas, these HDTVs can be easily programmed by the installer to have the TV turn on at a specified channel/volume level, set the minimum/maximum volume, lock out the control panel/remote, set the aspect ratio, and return to a factory reset. By using Power Management, these displays can be programmed to turn off if there has been no activity (remote or control panel buttons) for a preset time (1-7) hours.



WITH RESOLUTION UPSCALER STANDARD DEFINITION CONTENT LIKE OLD MOVIES OR INTERNET VIDEOS CAN BE ENHANCED TO NEAR HD RESOLUTION PICTURE QUALITY.



TIRED OF STREAKY ACTION OR UNCLEAR PLAYS DURING THE GAME? SEE SPORTS, FAST ACTION AND VIDEO GAMES LIKE NEVER BEFORE. THE 600HZ REFRESH RATE VIRTUALLY ELIMINATES MOTION BLUR.



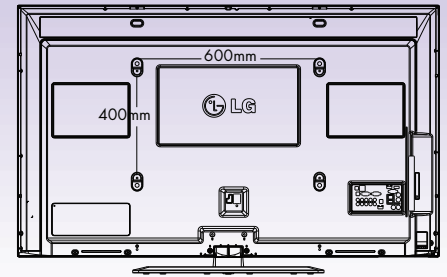
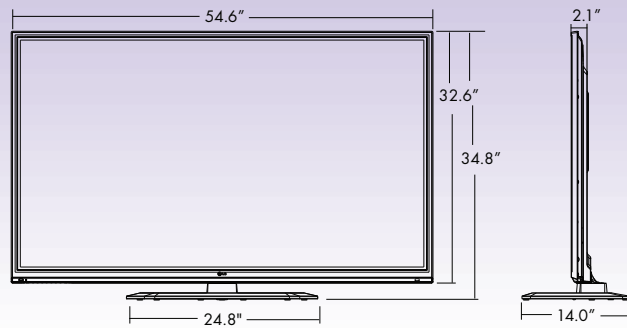
STUNNING DETAIL. NO MORE WORRYING ABOUT DARK SCENES OR DULL COLORS. THE MEGA CONTRAST RATIO OF 3,000,000:1 DELIVERS MORE STUNNING COLORS AND DEEPER BLACKS THAN YOU CAN IMAGINE

REMOTE CONTROL (included)

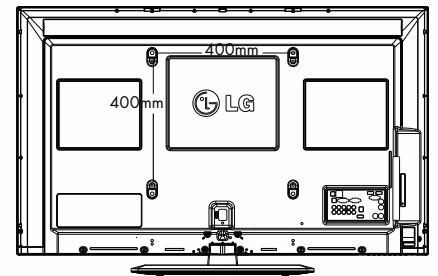
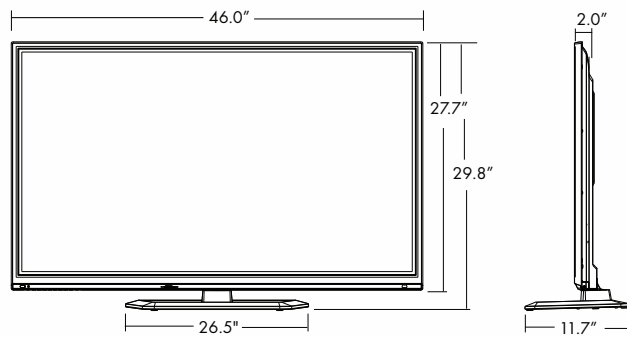


DIMENSIONS

60PA550C

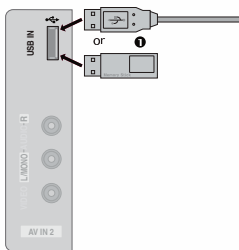


50PA550C

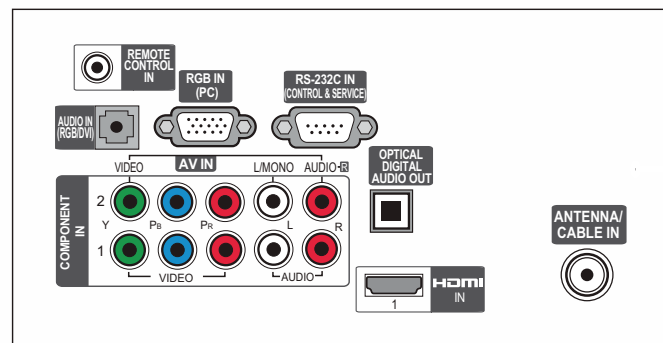


USB CLONING

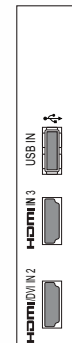
USB cloning will allow for easy transfer of Public Display Settings from the "Master TV" to an unlimited number of same type televisions.



REAR JACK PANEL



SIDE JACK PANEL



60PA550C

60" CLASS (59.8" MEASURED DIAGONALLY)

50PA550C

50" CLASS (49.9" MEASURED DIAGONALLY)

SPECIFICATIONS

PLASMA SPECIFICATIONS

Screen Size	50" class (49.9" measured diagonally) 60" class (59.8" measured diagonally)
Native Display Resolution	1920 x 1080
Dynamic Contrast Ratio	3,000,000:1
Color Reproduction (Panel Output)	16 Bit
Life Span (typical)	100,000 Hours
Protective Skin Glass	Yes
ISM (Image Sticking Minimization)	Orbiter / Color Wash
600Hz Sub Field Driving	Yes (Max Sub Field Driving)

VIDEO

Built-in tuner	ATSC/NTSC/Clear QAM - 1 Tuner
Triple XD Engine	Yes
Aspect Ratio	16:9
Aspect Ratio Correction	5 Modes (16:9 Just Scan, Set by Program, 4:3, Cinema Zoom)
Just Scan (1:1 Pixel matching) (0% overscan)	HDMI 1080p/1080i/720p Component 1080p/1080i/720p RF 1080i/720p
(3D/MPEG) Noise Reduction	Yes (High/Medium/Low/Off/Auto)
Digital Comb Filter	3D Comb Filter
Color Temperature Control	3 Modes (Warm, Medium, Cool)
Black Stretcher	Yes
Real Cinema 24p (3:3 Pull-down)	Yes (HDMI 1080 24p)
Cinema 3:2/2:2 Pull Down Mode	Yes
Resolution Upscaler	Yes (Black)
AV Mode II (Picture & Sound)	Yes (Cinema/Game/Off)
Picture Mode	7 Modes (Vivid, Standard, APS, Cinema, Game, ISF Expert, Expert 1, Expert 2)
Expert Mode (ISFccc Ready)	Yes
Intelligent Sensor Mode	Yes
xvYCC	Yes
DTV Signal Strength (Digital)	Yes
Color Reproduction (Chassis Output)	10 Bit

AUDIO

Mono/Stereo/Dual (MTS/SAP)	Yes
Dolby Digital 5.1 Decoder	Yes
Speaker System	Invisible Speaker (1 Way 2 Speaker)
Audio Output (Watts - THD 10%)	10W + 10W
Virtual Surround	Yes
Bass/Treble/Balance	Yes
On Screen Equalizer	Yes
Auto Volume Leveler II	Yes
Clear Voice II	Yes
Sound Mode	5 Modes (Standard, Music, Cinema, Sports, Game)
Mute	Yes

SPECIAL FEATURES

Intelligent Sensor	Yes
Picture Wizard II (2D/3D)	Yes
Smart Energy Saving	Yes
1080p Source Input	HDMI 60p/30p/24p Component 60p/30p/24p RGB 60p (WXGA)
A/V Input Navigation / EZ Input Toggle	Yes
Input Labeling	Yes
Screen Adjust/Auto (Manual)	Yes
Quick View (Flashback)	Yes
e-Streamer	Yes
Parental Control w/V-Chip	Yes
Rating (DTV)	Yes (by EPG)
Public Display Settings	Yes (V 2.6)
USB Cloning	Yes
Freeze Frame	Yes
Quick Setup Guide	Yes
Closed Caption	Yes
SimpLink™ (HDMI CEC)	Yes

CONVENIENCE FEATURES

Language	4 (English/Spanish/French/Korean)
Auto Tuning / Programming	Yes
Channel Add/Delete	Yes
Favorite Channel Programming	Yes
Auto/Manual Clock	Yes
On/Off Timer	Yes
Sleep Timer	Yes
Auto Off/Auto Sleep	Yes

AV INPUTS/OUTPUTS

RF In (Antenna/Cable)	1 (Rear)
AV In	1 (Rear)
Component Video In (Y, Pb, Pr) + Audio	2 (Rear)
Digital Audio Out (Optical)	1 (Rear)
HDMI/HDCP Input	3 (2 side / 1 rear)
RGB In (D-sub 15pin) - PC	1 (Rear)
PC Audio Input	1 (Rear)
USB 2.0	1 (Side)
RS-232C In (Control & Service)	1 (Rear)
Remote Control In	1 (Rear)

CABINET/ACCESSORIES

TruSlim Frame	Yes
Cabinet Color	Glossy Black
Slim Depth	Yes
Table Stand Included	Detachable (+20°/-20°) Swivel
VESA™ Compliant	600mm x 400mm (60°) 400mm x 400mm (50°)
Local Key Type	Touch Sensitive Keys
Invisible Speaker	Yes
Remote Control	Yes
Quick Setup Guide	Yes
Power Cord	Yes

POWER

EcoSmart - Energy Savings	
Intelligent Sensor (auto)	Yes (automatic)
3 Mode Power Saving Levels	Yes (manual)
Voltage, Hz	100~240V, 50/60Hz
Power Consumption (IEC62087)	175W (60°), 102W (50°)
dynamic broadcast-content video signal)	
On Mode (Average)	4.3A, 430W (60°), 2.9A, 290W (50°)
Stand by Mode	0.2W

REQUIRED APPROVALS

RoHS Compliant	Yes
EPA 5.3	Yes
UL, c-UL, FCC	Yes

OPERATING ENVIRONMENTS

Storage Temperature Range	-4°F to 140°F (-20°C to 60°C)
Storage Humidity Range	Less than 85%
Altitude	Up to 9514 ft. (2900m)
Operating Temperature	32°F to 104°F (0°C to 40°C)
Operating Humidity Range	Less than 80%

DIMENSIONS & WEIGHT

	50PA550C	60PA550C
Dimensions without Stand (W×H×D)	46.0" x 27.7" x 2.1"	54.6" x 32.6" x 2.1"
with Stand (W×H×D)	46.0" x 29.8" x 11.7"	54.6" x 34.8" x 14.0"
packaging (W×H×D)	52.4" x 32.2" x 9.0"	60.8" x 37.4" x 11.2"
Weight without Stand	58.2 lbs	80.2 lbs
with Stand	63.5 lbs	89.5 lbs
with packaging	76.1 lbs	106.0 lbs

SERVICE/LIMITED WARRANTY

Limited Warranty	2 Year Panel/1 Year (Parts/Labor)
UPC	
50PA550C	7 19192 90387 6
60PA550C	7 19192 90388 3

LGsolutions.com



LG Electronics U.S.A., Inc.
HE B2B Division
2000 Millbrook Drive
Lincolnshire, IL 60069

Customer Service: 888.865.3026
www.LGsolutions.com/support

Contact your LG Regional Sales Representative:
Channel: 800.897.8871
Hospitality: 800.228.1236
E-mail: info@LGsolutions.com

SPEC_50_60PA550C_111225_PR



All screen images are simulated. Dimensions and weights are approximate. Design, features and specifications subject to change without notice.

© Copyright 2012 LG Electronics USA, Inc. All Rights Reserved. "LG Life's Good" is a registered trademark of LG Corp. Dual XD Engine is a trademark of LG Electronics USA, Inc. VESA is a trademark of Video Electronics Standards Association. Dolby and the double-D symbol are registered trademarks of Dolby Laboratories. All other corporate and brand names are trademarks of their respective owners.

Printed in the USA. November 2012

