



**LG**

Life's Good

# QUICK REFERENCE GUIDE LED LCD TV

Please read this manual carefully before operating your set and retain it for future reference.

22LT560C  
26LT560C  
32LT560C  
37LT560C  
42LT560C

32LT560E  
37LT560E  
42LT560E  
47LT560E


55LS460E


# IMPORTANT SAFETY INSTRUCTIONS

Always comply with the following precautions to avoid dangerous situations and ensure peak performance of your product.



TO REDUCE THE RISK OF ELECTRIC SHOCK DO NOT REMOVE COVER (OR BACK). NO USER SERVICEABLE PARTS INSIDE. REFER TO QUALIFIED SERVICE PERSONNEL.

 The lightning flash with arrowhead symbol, within an equilateral triangle, is intended to alert the user to the presence of uninsulated “dangerous voltage” within the product’s enclosure that may be of sufficient magnitude to constitute a risk of electric shock to persons.

 The exclamation point within an equilateral triangle is intended to alert the user to the presence of important operating and maintenance (servicing) instructions in the literature accompanying the appliance.

## WARNING/CAUTION

- TO REDUCE THE RISK OF FIRE AND ELECTRIC SHOCK, DO NOT EXPOSE THIS PRODUCT TO RAIN OR MOISTURE.

**WARNING:** This product contains chemicals known to the State of California to cause cancer and birth defects or other reproductive harm.  
*Wash hands after handling.*

Read these instructions.  
Keep these instructions.  
Heed all warnings.  
Follow all instructions.



- Do not use this apparatus near water.



- Clean only with a dry cloth.



- Do not block any ventilation openings. Install in accordance with the manufacturer’s instructions.



- Do not install near any heat sources such as radiators, heat registers, stoves, or other apparatus (including amplifiers) that produce heat.



- Do not defeat the safety purpose of the polarized or grounding-type plug. A polarized plug has two blades with one wider than the other. A grounding type plug has two blades and a third grounding prong. The wide blade or the third prong are provided for your safety. If the provided plug does not fit into your outlet, consult an electrician for replacement of the obsolete outlet (Can differ by country).



- Protect the power cord from being walked on or pinched particularly at plugs, convenience receptacles, and the point where they exit from the apparatus.



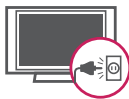
- Only use attachments/accessories specified by the manufacturer.



- Use only with a cart, stand, tripod, bracket, or table specified by the manufacturer, or sold with the apparatus. When a cart is used, use caution when moving the cart/apparatus combination to avoid injury from tip-over.



- Unplug this apparatus during lightning storms or when unused for long periods of time.



- Refer all servicing to qualified service personnel. Servicing is required when the apparatus has been damaged in any way, such as power-supply cord or plug is damaged, liquid has been spilled or objects have fallen into the apparatus, the apparatus has been exposed to rain or moisture, does not operate normally, or has been dropped.



- Do not stick metal objects or any other conductive material into the power cord. Do not touch the end of the power cord while it is plugged in.



- Keep the packing anti-moisture material or vinyl packing out of the reach of children. Anti-moisture material is harmful if swallowed. If swallowed by mistake, force the patient to vomit and visit the nearest hospital. Additionally, vinyl packing can cause suffocation. Keep it out of the reach of children.

- CAUTION concerning the Power Cord (Can differ by country):

It is recommended that appliances be placed upon a dedicated circuit; that is, a single outlet circuit which powers only that appliance and has no additional outlets or branch circuits. Check the specification page of this owner's manual to be certain. Do not connect too many appliances to the same AC power outlet as this could result in fire or electric shock. Do not overload wall outlets. Overloaded wall outlets, loose or damaged wall outlets, extension cords, frayed power cords, or damaged or cracked wire insulation are dangerous. Any of these conditions could result in electric shock or fire. Periodically examine the cord of your appliance, and if its appearance indicates damage or deterioration, unplug it, discontinue use of the appliance, and have the cord replaced with an exact replacement part by an authorized service. Protect the power cord from physical or mechanical abuse, such as being twisted, kinked, pinched, closed in a door, or walked upon. Pay particular attention to plugs, wall outlets, and the point where the cord exits the appliance. Do not move the TV with the power cord plugged in. Do not use a damaged or loose power cord. Be sure do grasp the plug when unplugging the power cord. Do not pull on the power cord to unplug the TV.

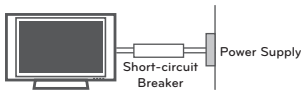
- **Warning** - To reduce the risk of fire or electrical shock, do not expose this product to rain, moisture or other liquids. Do not touch the TV with wet hands. Do not install this product near flammable objects such as gasoline or candles, or expose the TV to direct air conditioning.



- Do not expose to dripping or splashing and do not place objects filled with liquids, such as vases, cups, etc. on or over the apparatus (e.g. on shelves above the unit).



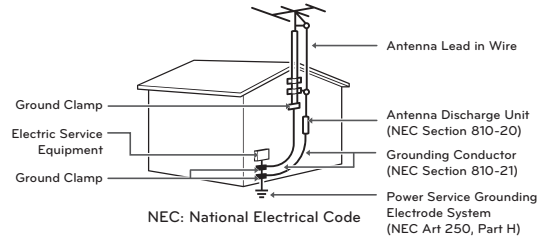
- **Grounding**  
(Except for devices which are not grounded.) Ensure that you connect the earth ground wire to prevent possible electric shock (i.e. a TV with a three-prong grounded AC plug must be connected to a three-prong grounded AC outlet). If grounding methods are not possible, have a qualified electrician install a separate circuit breaker. Do not try to ground the unit by connecting it to telephone wires, lightning rods, or gas pipes.



- **DISCONNECTING DEVICE FROM THE MAIN POWER**  
Mains plug is the disconnecting device. The plug must remain readily operable.
- As long as this unit is connected to the AC wall outlet, it is not disconnected from the AC power source even if the unit is turned off.
- Do not attempt to modify this product in any way without written authorization from LG Electronics. Unauthorized modification could void the user's authority to operate this product.

- **ANTENNAS Outdoor antenna grounding**  
(Can differ by country):  
If an outdoor antenna is installed, follow the precautions below. An outdoor antenna system should not be located in the vicinity of overhead power lines or other electric light or power circuits, or where it can come in contact with such power lines or circuits as death or serious injury can occur. Be sure the antenna system is grounded so as to provide some protection against voltage surges and built-up static charges. Section 810 of the National Electrical Code (NEC) in the U.S.A. provides information with respect to proper grounding of the mast and supporting structure, grounding of the lead-in wire to an antenna discharge unit, size of grounding conductors, location of antenna discharge unit, connection to grounding electrodes and requirements for the grounding electrode.

**Antenna grounding according to the National Electrical Code, ANSI/NFPA 70**



- **Cleaning**  
When cleaning, unplug the power cord and wipe gently with a soft cloth to prevent scratching. Do not spray water or other liquids directly on the TV as electric shock may occur. Do not clean with chemicals such as alcohol, thinners or benzene.
- **Moving**  
Make sure the product is turned off, unplugged and all cables have been removed. It may take 2 or more people to carry larger TVs. Do not press or put stress on the front panel of the TV.
- **Ventilation**  
Install your TV where there is proper ventilation. Do not install in a confined space such as a bookcase. Do not cover the product with cloth or other materials while plugged. Do not install in excessively dusty places.

- If you smell smoke or other odors coming from the TV, unplug the power cord and contact an authorized service center.
- Do not press strongly upon the panel with a hand or a sharp object such as a nail, pencil or pen, or make a scratch on it.
- Keep the product away from direct sunlight.



- Never touch this apparatus or antenna during a thunder or lightning storm.
- When mounting a TV on the wall, make sure not to install the TV by hanging the power and signal cables on the back of the TV.
- Do not allow an impact shock or any objects to fall into the product, and do not drop anything onto the screen.

#### • Dot Defect

The Plasma or LCD panel is a high technology product with resolution of two million to six million pixels. In a very few cases, you could see fine dots on the screen while you're viewing the TV. Those dots are deactivated pixels and do not affect the performance and reliability of the TV.

#### • Generated Sound

**"Cracking" noise:** A cracking noise that occurs when watching or turning off the TV is generated by plastic thermal contraction due to temperature and humidity. This noise is common for products where thermal deformation is required.

**Electrical circuit humming/panel buzzing:** A low level noise is generated from a high-speed switching circuit, which supplies a large amount of current to operate a product. It varies depending on the product.

This generated sound does not affect the performance and reliability of the product.

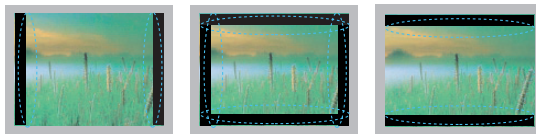
- Take care not to touch the ventilation openings. When watching the TV for a long period, the ventilation openings may become hot. This does not affect the performance of the product or cause defects in the product.

- If the TV feels cold to the touch, there may be a small "flicker" when it is turned on. This is normal, there is nothing wrong with TV. Some minute dot defects may be visible on the screen, appearing as tiny red, green, or blue spots. However, they have no adverse effect on the TV's performance. Avoid touching the LCD screen or holding your finger(s) against it for long periods of time. Doing so may produce some temporary distortion effects on the screen.

#### DISPOSAL (Hg lamp only used in LCD TVs)

The fluorescent lamp used in this product contains a small amount of mercury. Do not dispose of this product with general household waste. Disposal of this product must be carried out in accordance to the regulations of your local authority.

#### Preventing "Image burn" or "Burn-in" on your TV screen



- If a fixed image displays on the TV screen for a long period of time, it will be imprinted and become a permanent disfigurement on the screen. This is "image burn" or "burn-in" and not covered by the warranty.
- If the aspect ratio of the TV is set to 4:3 for a long period of time, image burn may occur on the letterboxed area of the screen.
- Avoid displaying a fixed image on the TV screen for a long period of time (2 or more hours for LCD, 1 or more hours for the Plasma TV) to prevent image burn.

#### For USA and Canada

#### NOTE TO CABLE/TV INSTALLER

This reminder is provided to call the CATV system installer's attention to Article 820-40 of the National Electric Code (U.S.A.). The code provides guidelines for proper grounding and, in particular, specifies that the cable ground shall be connected to the grounding system of the building, as close to the point of the cable entry as practical.

## LICENSES

Supported licenses may differ by model. For more information about licenses, 'visit [www.lg.com](http://www.lg.com)'.



Manufactured under license from Dolby Laboratories. "Dolby" and the double-D symbol are trademarks of Dolby Laboratories.



HDMI, the HDMI logo and High-Definition Multimedia Interface are trademarks or registered trademarks of HDMI Licensing LLC.



ABOUT DIVX VIDEO: DivX® is a digital video format created by DivX, LLC, a subsidiary of Rovi Corporation. This is an official DivX Certified® device that plays DivX video. Visit [divx.com](http://divx.com) for more information and software tools to convert your files into DivX video.

ABOUT DIVX VIDEO-ON-DEMAND: This DivX Certified® device must be registered in order to play purchased DivX Video-on-Demand (VOD) movies. To obtain your registration code, locate the DivX VOD section in your device setup menu. Go to [vod.divx.com](http://vod.divx.com) for more information on how to complete your registration.

"DivX Certified® to play DivX® video up to HD 1080p, including premium content."

"DivX®, DivX Certified® and associated logos are trademarks of Rovi Corporation or its subsidiaries and are used under license."

"Covered by one or more of the following U.S. patents:  
7,295,673; 7,460,668; 7,515,710; 7,519,274"

## OPEN SOURCE SOFTWARE NOTICE

To obtain the source code under GPL, LGPL, MPL and other open source licenses, that is contained in this product, please visit '<http://opensource.lge.com>'.

In addition to the source code, all referred license terms, warranty disclaimers and copyright notices are available for download.

LG Electronics will also provide open source code to you on CD-ROM for a charge covering the cost of performing such distribution (such as the cost of media, shipping and handling) upon email request to [opensource@lge.com](mailto:opensource@lge.com). This offer is valid for three (3) years from the date on which you purchased the product.

# TABLE OF CONTENTS

## 2 IMPORTANT SAFETY INSTRUCTIONS

## 6 LICENSES

## 6 OPEN SOURCE SOFTWARE NOTICE

## 7 TABLE OF CONTENTS

## 8 INSTALLATION PROCEDURE

## 8 ASSEMBLING AND PREPARING

- 8 Unpacking
- 11 Optional Extras  
(For LT560E, LS460E series)
- 12 Parts and buttons
- 14 Setting up the TV
- 14 - Attaching the stand
- 17 - Mounting on a table
- 18 - Mounting on a wall
- 20 - Tidying cables
- 21 - External Speaker Out

## 22 REMOTE CONTROL

## 24 GENERAL TROUBLESHOOTING

## 24 CAUTION FOR USING EZSIGN 2.0

## 25 SPECIFICATIONS

## 27 EXTERNAL CONTROL DEVICE SETUP

- 27 RS-232C Setup
- 27 Type of connector;  
D-Sub 9-Pin Male
- 28 RS-232C configurations
- 29 Communication Parameters
- 29 Command reference list
- 30 Transmission / Receiving protocol



### NOTE

- Image shown may differ from your TV.
- Your TV's OSD (On Screen Display) may differ slightly from that shown in this manual.
- The available menus and options may differ from the input source or product model that you are using.
- New features may be added to this TV in the future.

### FCC NOTICE

This equipment has been tested and found to comply with the limits for a Class B digital device, pursuant to Part 15 of the FCC Rules. These limits are designed to provide reasonable protection against harmful interference in a residential installation. This equipment generates, uses and can radiate radio frequency energy and, if not installed and used in accordance with the instructions, may cause harmful interference to radio communications. However, there is no guarantee that interference will not occur in a particular installation. If this equipment does cause harmful interference to radio or television reception, which can be determined by turning the equipment off and on, the user is encouraged to try to correct the interference by one or more of the following measures:

- Reorient or relocate the receiving antenna.
- Increase the separation between the equipment and the receiver.
- Connect the equipment to an outlet on a circuit different from that to which the receiver is connected.
- Consult the dealer or an experienced radio/TV technician for help.

This device complies with part 15 of the FCC Rules. Operation is subject to the following two conditions: (1) this device may not cause harmful interference and (2) this device must accept any interference received, including interference that may cause undesired operation of the device.

Any changes or modifications in construction of this device which are not expressly approved by the party responsible for compliance could void the user's authority to operate the equipment.

# INSTALLATION PROCEDURE

- 1 Open the package and make sure all the accessories are included.
- 2 Attach the stand to the TV set.
- 3 Connect an external device to the TV set.

# ASSEMBLING AND PREPARING

## Unpacking

Check your product box for the following items. If there are any missing accessories, contact the local dealer where you purchased your product. The illustrations in this manual may differ from the actual product and item.



### CAUTION

- To ensure safety and product life span, do not use any unapproved items.
- Any damages or injuries sustained due to use of unapproved items are not covered by the warranty.
- In the case of some models, the thin film on the screen is a part of TV and should not be removed.

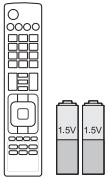


### NOTE

- The items supplied with your product will vary depending on the model.
- Product specifications and/or manual contents subject to change without prior notice due to upgrade of product functions.

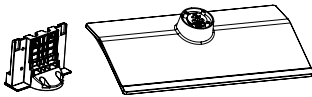


For LT560C series



**Remote control,  
Batteries (AAA)**  
(See p.22)

(For 32/37/42LT560C)



**Stand body/Stand base**  
(See p.14)

(For 32/37/42LT560C)



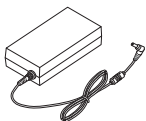
**Stand Screws**  
8 EA, M4 x 14  
(See p.14)

(For 32/37/42LT560C)

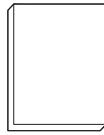


**Desk-mount Screw**  
(See p.17)

(For 22/26LT560C)

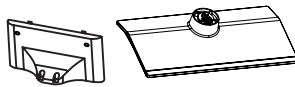


**AC/DC Adapter**



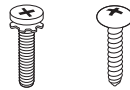
**Quick Reference Guide**

(For 22LT560C)



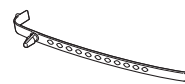
**Stand body/Stand base**  
(See p.15)

(For 22LT560C)



**Stand Screws**  
4 EA, M4 x 12  
2EA, M4 x 16  
(See p.15)

(For 22LT560C)

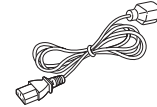


**Cable holder**  
(See p.20)

(For 32/37/42LT560C)



**Protection cover**



**Power Cord**

(For 26LT560C)



**Stand body/Stand base**  
(See p.15)

(For 26LT560C)



**Stand Screws**  
8 EA, M4 x 12  
(See p.15)

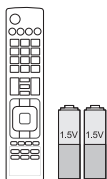
(For 32/37/42LT560C)



**Power Cord holder**  
(See p.20)

(For 32/37/42LT560C)

For LT560E series



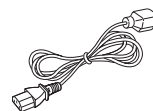
**Remote control,  
Batteries (AAA)**  
(See p.22)



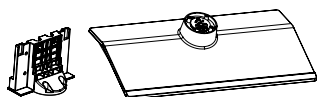
**Quick Reference Guide**



**EzSign 2.0 Editor CD**



**Power Cord**



**Stand body/Stand base**  
(See p.14)



**Stand Screws**  
8 EA, M4 x 14  
(See p.14)



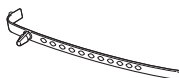
**Desk-mount Screw**  
(See p.17)



**Protection cover**

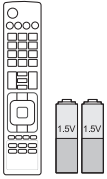


**Power Cord holder**  
(See p.20)

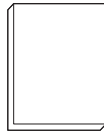


**Cable holder**  
(See p.20)

For LS460E series



**Remote control,  
Batteries (AAA)**  
(See p.22)



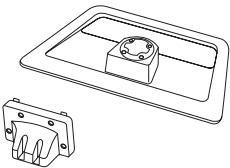
**Quick Reference Guide**



**EzSign 2.0 Editor CD**



**Power Cord**



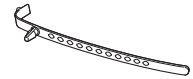
**Stand body/Stand base**  
(See p.16)



**Stand Screws**  
8 EA, M4 x 20  
(See p.16)



**Wall Mount Inner  
Spacers**  
4 EA  
(See p.19)



**Cable holder**  
(See p.20)

## Optional Extras (For LT560E, LS460E series)

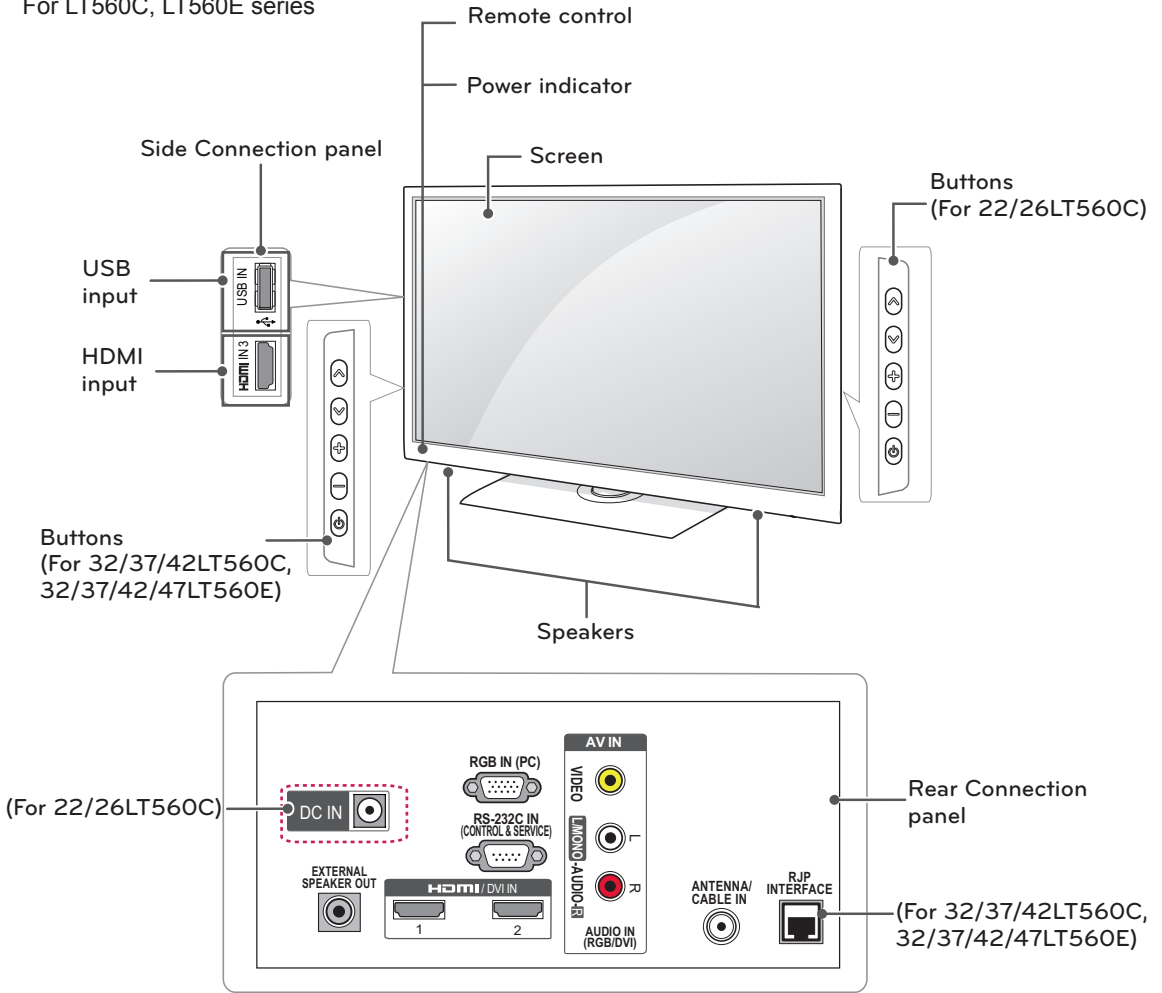
Optional extras can be changed or modified for quality improvement without any notification. Contact your dealer to buy these items. These devices only work with certain models.



**AN-WF100**  
Wireless Dongle

## Parts and buttons

For LT560C, LT560E series



ENGLISH

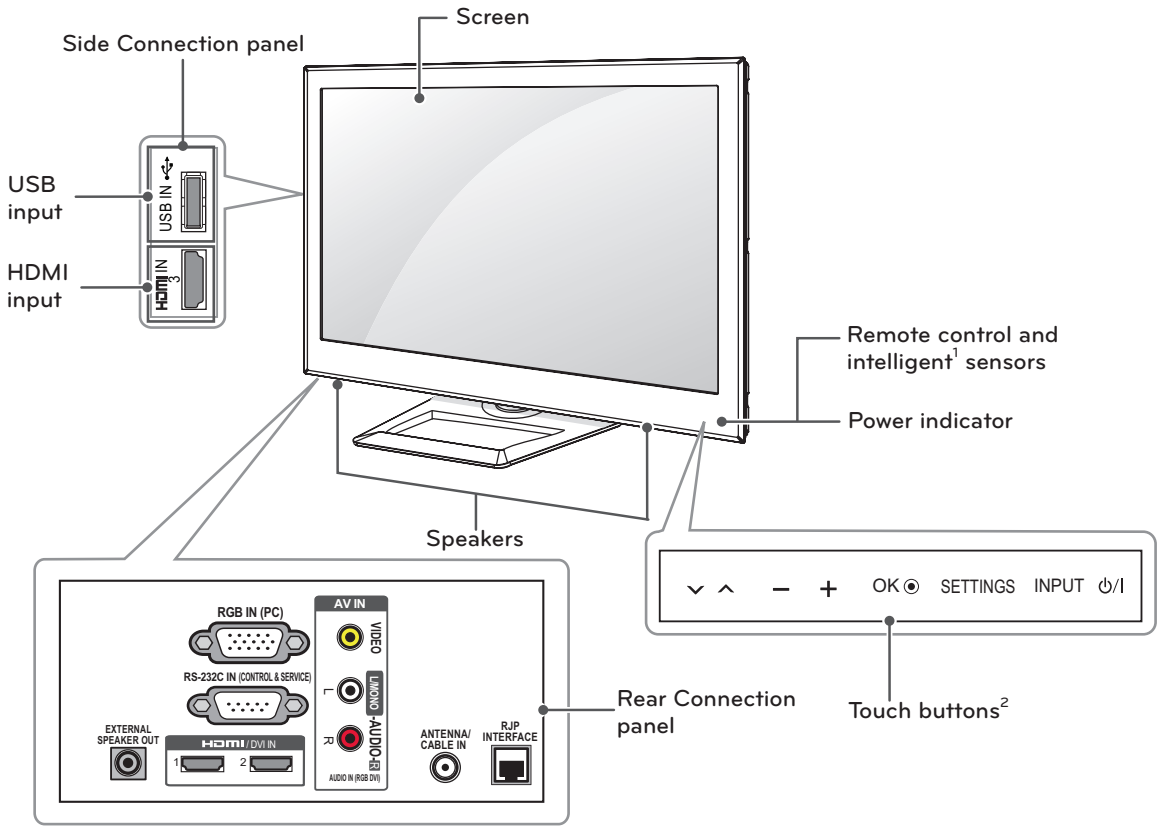
| Button | Description                         |
|--------|-------------------------------------|
| ^ v    | Scrolls through the saved channels. |
| + -    | Adjusts the volume level.           |
| ⏻      | Turns the power on or off.          |



### CAUTION

- Do not insert LAN cable in the RJP INTERFACE.

For LS460E series



ENGLISH

| Touch button | Description  |
|--------------|--|
| ⏻/⏿          | Turns the power on or off.                                       |
| INPUT        | Changes the input source.  |
| SETTINGS     | Accesses the Home menu, or saves your input and exits the menus. |
| OK ●         | Selects the highlighted menu option or confirms an input         |
| - +          | Adjusts the volume level.  |
| ⏪ ⏩          | Scrolls through the saved channels.                              |

- 1 Intelligent sensor - Adjusts the image quality and brightness based on the surrounding environment.
- 2 All of the buttons are touch sensitive and can be operated through simple touch with your finger.

## Setting up the TV

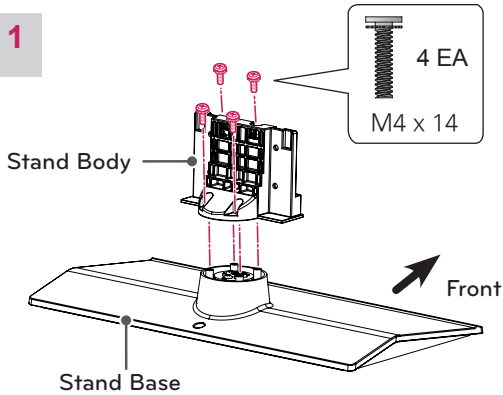
Put your TV on a pedestal stand and mount the TV on a table or wall.

### Attaching the stand

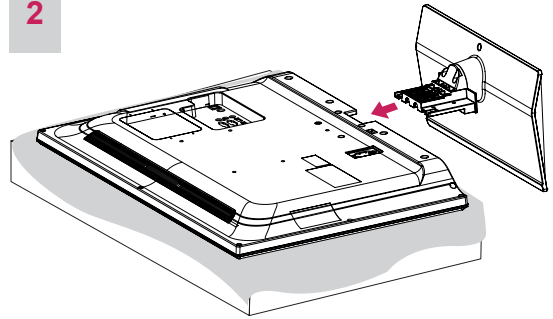
If you are not mounting the TV to a wall, use the following instructions to attach the stand.

(For 32/37/42LT560C, 32/37/42/47LT560E)

1



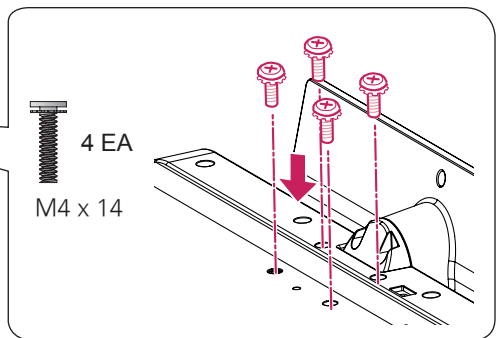
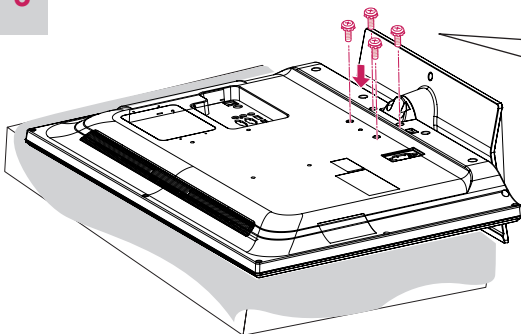
2



#### CAUTION

- When attaching the stand to the TV set, place the screen facing down on a cushioned table or flat surface to protect the screen from scratches.

3

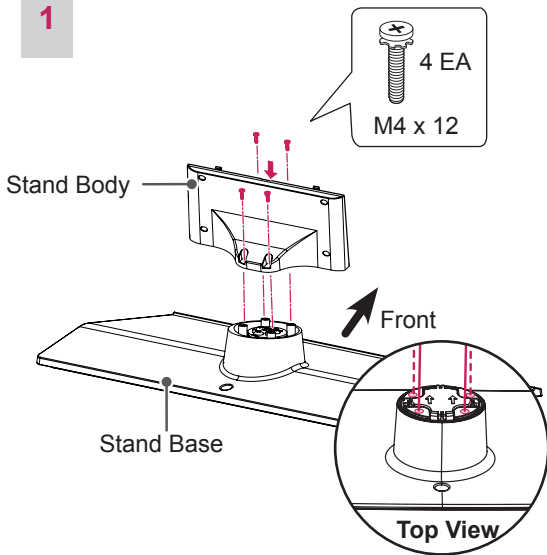


#### CAUTION

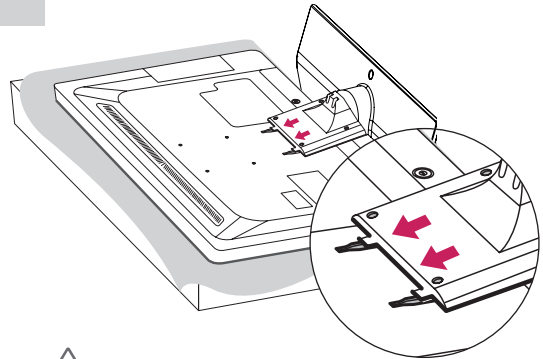
- Make sure that the screws are fastened completely. (If they are not fastened securely enough, the TV may tilt forward after being installed.)
- Do not fasten the screws with too much force; otherwise they may be worn out and get loosened.

(For 22/26LT560C)

1



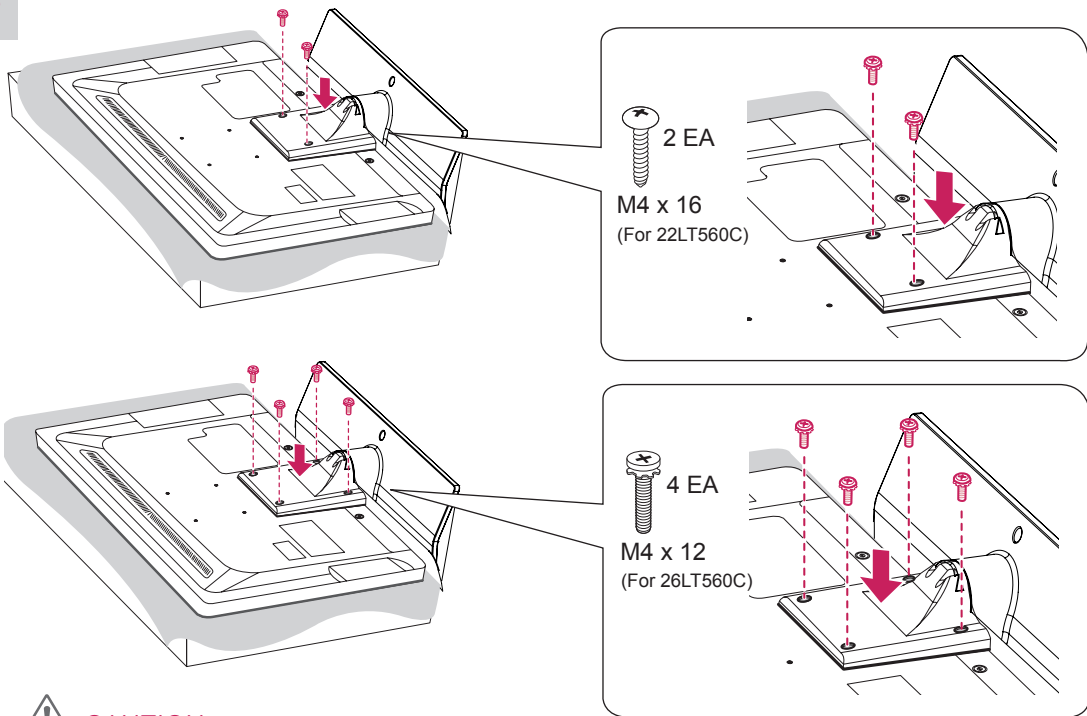
2



**CAUTION**

- When attaching the stand to the TV set, place the screen facing down on a cushioned table or flat surface to protect the screen from scratches.

3

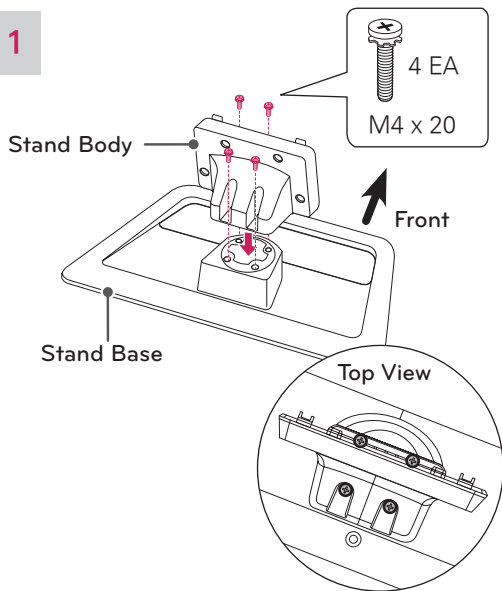


**CAUTION**

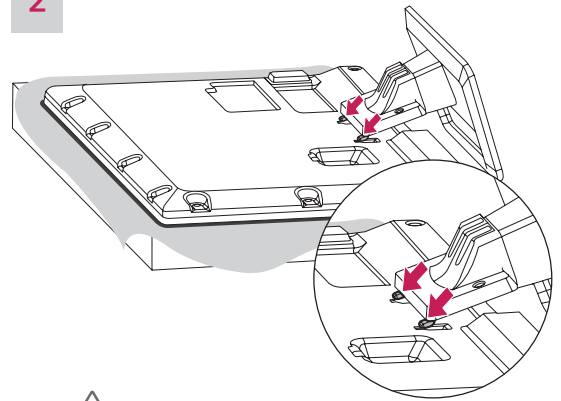
- Make sure that the screws are fastened completely. (If they are not fastened securely enough, the TV may tilt forward after being installed.)
- Do not fasten the screws with too much force; otherwise they may be worn out and get loosened.

(For 55LS460E)

1



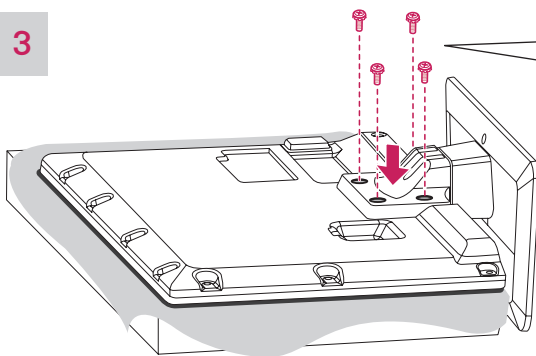
2



**CAUTION**

- When attaching the stand to the TV set, place the screen facing down on a cushioned table or flat surface to protect the screen from scratches.

3



**CAUTION**

- Make sure that the screws are fastened completely. (If they are not fastened securely enough, the TV may tilt forward after being installed.)
- Do not fasten the screws with too much force; otherwise they may be worn out and get loosened.

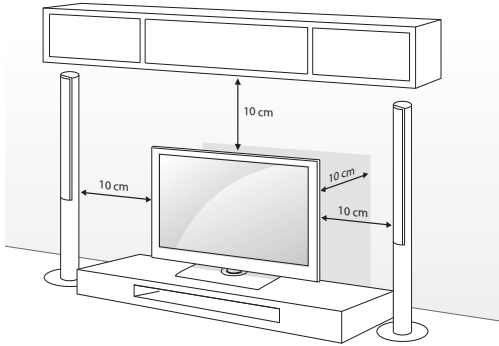
**NOTE**

- Remove the stand before installing the TV on a wall mount by performing the stand attachment in reverse.



## Mounting on a table

- Lift and tilt the TV into its upright position on a table.
  - Leave a 10 cm (4 inch) (minimum) space from the wall for proper ventilation.



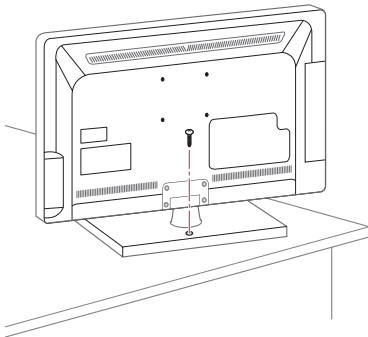
- Connect the power cord to a wall outlet.

### CAUTION

- Do not place the TV near or on sources of heat, as this may result in fire or other damage.

### Securing the TV to a table

(For 32/37/42LT560C, 32/37/42/47LT560E)  
 Fix the TV to a table to prevent from tilting forward, damage, and potential injury.  
 To secure the TV to a table, insert and tighten the supplied screw on the rear of the stand.

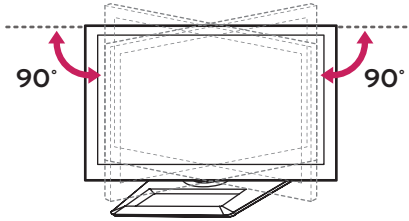


### WARNING

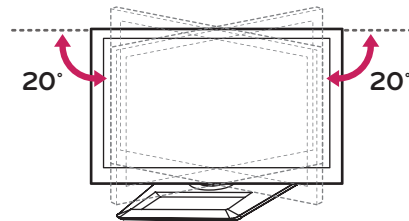
- To prevent TV from falling over, the TV should be securely attached to the floor/wall per installation instructions. Tipping, shaking, or rocking the TV may cause injury.

### Adjusting the angle of the TV to suit view

(For 32/37/42LT560C, 32/37/42/47LT560E)  
 Swivel  $90 \pm 4$  degrees to the left or right and adjust the angle of the TV to suit your view.



(For 55LS460E)  
 Swivel  $20 \pm 2$  degrees to the left or right and adjust the angle of the TV to suit your view.



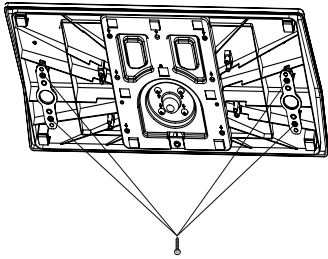
### CAUTION

- When adjusting the angle of the TV, watch out for your fingers.
  - Personal injury may occur if hands or fingers are pinched. If the product is tilted too much, it may fall, causing damage or injury.

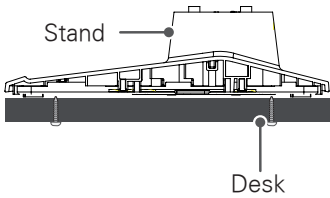
**Attaching the TV to a desk**

The TV should be attached to a desk so it cannot be pulled in a forward/backward direction, potentially causing injury or damaging the product.

(For 32/37/42LT560C, 32/37/42/47LT560E, 55LS460E)



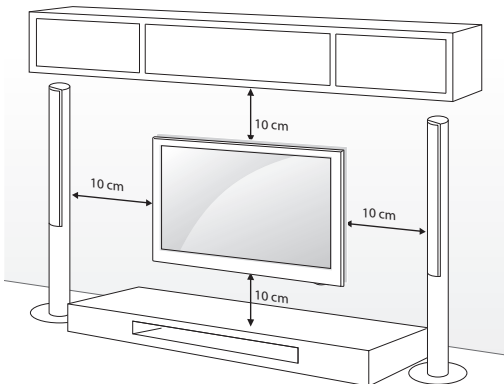
4-Screws  
(Not provided as parts of the product)




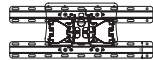
ENGLISH



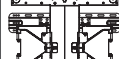
**Mounting on a wall**


Attach an optional wall mount bracket at the rear of the TV carefully and install the wall mount bracket on a solid wall perpendicular to the floor. When you attach the TV to other building materials, please contact qualified personnel. LG recommends that wall mounting be performed by a qualified professional installer.



Make sure to use screws and wall mount bracket that meet the VESA standard. Standard dimensions for the wall mount kits are described in the following table.

|                                      |  |   |
|--------------------------------------|--|---|
| <b>Model</b>                         | 22/26LT560C  | 32LT560C<br>32LT560E  |
| <b>VESA</b>                          | 100 x 100  | 200 x 100   |
| <b>Standard screw</b>                | M4   | M4  |
| <b>Number of screws</b>              | 4  | 4   |
| <b>Wall mount bracket (optional)</b> | LSW100B(G)<br> | LSW100B(G)<br> |

|                                      |   |   |
|--------------------------------------|---|---|
| <b>Model</b>                         | 37/42LT560C<br>37/42LT560E  | 47LT560E  |
| <b>VESA</b>                          | 200 x 200   | 400 x 400   |
| <b>Standard screw</b>                | M6  | M6  |
| <b>Number of screws</b>              | 4   | 4   |
| <b>Wall mount bracket (optional)</b> | LSW200B(G)<br><br><br>LSW220BX<br> | LSW400B(G)<br> |

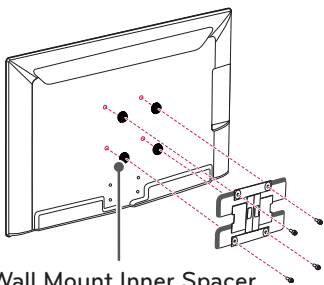
|                                      |   |
|--------------------------------------|---|
| <b>Model</b>                         | 55LS460E  |
| <b>VESA</b>                          | 400 x 400   |
| <b>Standard screw</b>                | M6  |
| <b>Number of screws</b>              | 4   |
| <b>Wall mount bracket (optional)</b> | LSW400BX(G)<br> |

**! CAUTION**

- Disconnect the power first, and then move or install the TV. Otherwise electric shock may occur.
- If you install the TV on a ceiling or slanted wall, it may fall and result in severe injury. Use an authorized LG wall mount and contact the local dealer or qualified personnel.
- Do not over tighten the screws as this may cause damage to the TV and void your warranty.
- Only use screws and wall mounts that meet the VESA standard. Any damages or injuries by misuse or using an improper accessory are not covered by the warranty.
- On the 47LT\*\*\*\* models, Use M6 x L45 screws. Wall mount screw is not provided when purchased with TV and wallmount [LSW400B (G)]. Screw M6 x L45 can be used after separate purchase.

**! NOTE**

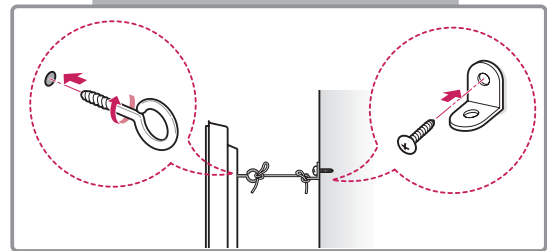
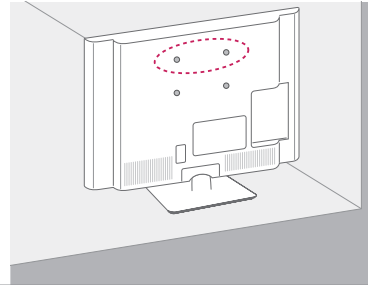
- Use screws that are listed on the VESA standard screw specifications.
- The wall mount kit includes an installation manual and necessary parts.
- The wall mount bracket is optional. You can obtain additional accessories from your local dealer.
- The length of screws may differ depending on the wall mount. Make sure to use the proper length.
- For more information, refer to the manual supplied with the wall mount bracket.
- When attaching a third-party wall mounting bracket to the TV, insert the wall mount inner spacers into the TV wall mount holes to move your TV in vertical angle. Please make sure not to use the spacers for LG wall mounting bracket. (For 55LS460E)



Wall Mount Inner Spacer

**Securing the TV to a wall (optional)**

(Depending on model)



- 1 Insert and tighten the eye-bolts, or TV brackets and bolts on the back of the TV.  
- If there are bolts inserted at the eye-bolts position, remove the bolts first.
- 2 Mount the wall brackets with the bolts to the wall.  
Match the location of the wall bracket and the eye-bolts on the rear of the TV.
- 3 Connect the eye-bolts and wall brackets tightly with a sturdy rope.  
Make sure to keep the rope horizontal with the flat surface.

**! CAUTION**

- Make sure that children do not climb on or hang on the TV.

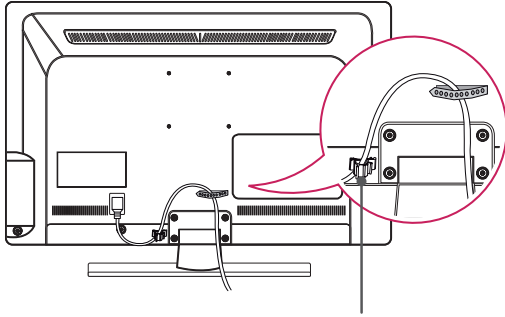
**! NOTE**

- Use a platform or cabinet that is strong and large enough to support the TV securely.
- Brackets, bolts and ropes are optional. You can obtain additional accessories from your local dealer.

## Tidying cables

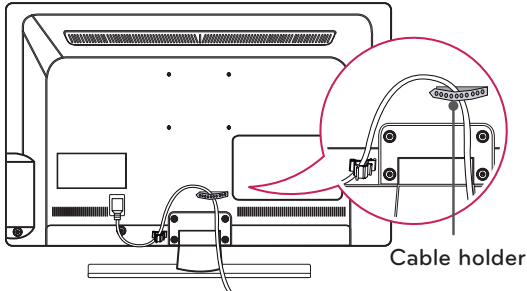
For 32/37/42LT560C, 32/37/42/47LT560E

- 1 Install the power cord holder and power cord. It will help prevent the power cable from being removed by accident.



Power cord holder

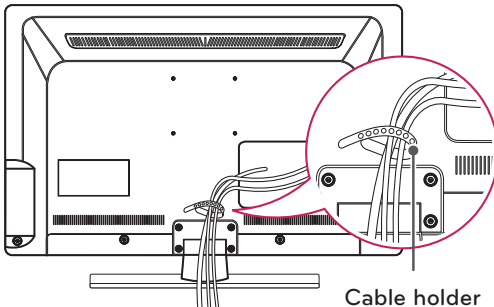
- 2 Gather and bind the cables with the cable holder.



Cable holder

For 22/26LT560C

- 1 Gather and bind the cables with the cable holder.



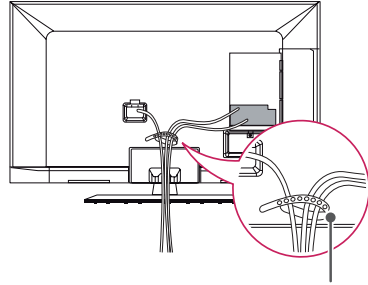
Cable holder

### CAUTION

- Do not move the TV by holding the cable holder, as the cable holders may break, and injuries and damage to the TV may occur.

For 55LS460E

- 1 Gather and bind the cables with the cable holder.



Cable holder

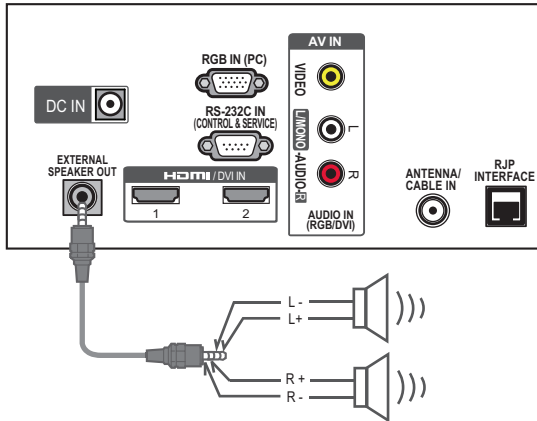
### CAUTION

- Do not move the TV by holding the cable holder, as the cable holders may break, and injuries and damage to the TV may occur.

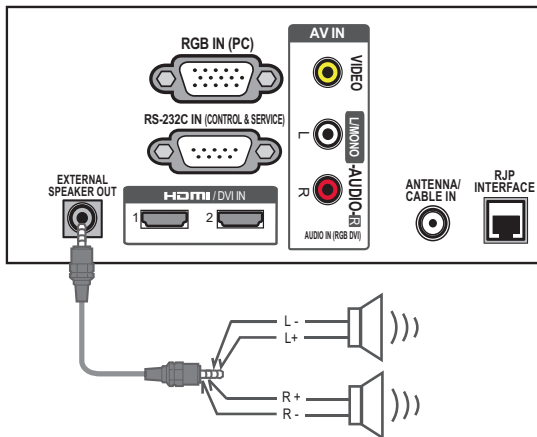
## External Speaker Out

Connect the external speaker.

(For 22/26/32/37/42LT560C, 32/37/42/47LT560E)



(For 55LS460E)



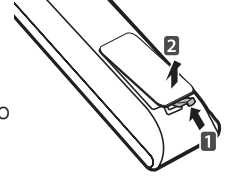
### NOTE

- Make sure that the external speaker should be connected with TV under power-off state.
- Use EXT speaker with BTL type (4p)

# REMOTE CONTROL

The descriptions in this manual are based on the buttons on the remote control. Please read this manual carefully and use the TV correctly.

To replace batteries, open the battery cover, replace batteries (1.5 V AAA) matching the ⊕ and ⊖ ends to the label inside the compartment, and close the battery cover. To remove the batteries, perform the installation actions in reverse.

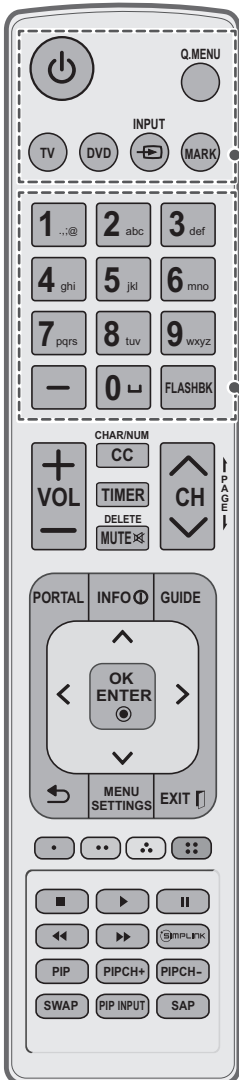


**CAUTION**

- Do not mix old and new batteries, as this may damage the remote control.

Make sure to point the remote control toward the remote control sensor on the TV.

ENGLISH



**⏻ (POWER)**  
Turns the TV on or off.

**Q. MENU**  
Accesses the quick menu.

**TV**  
Selects the remote's operating mode: TV.

**DVD**  
Selects the remote's operating mode: DVD.

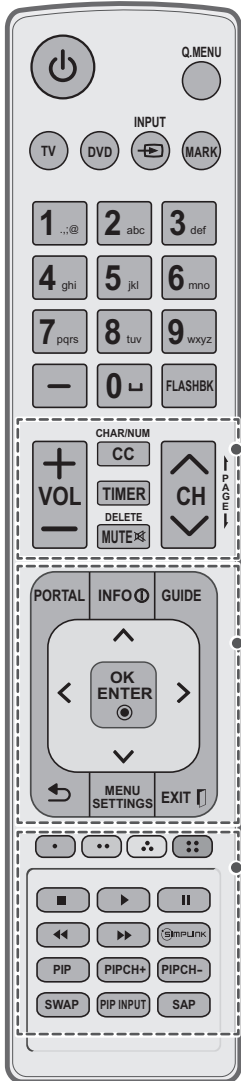
**INPUT, BANK**  
Rotates through inputs. Also switches the TV on from standby.

**MARK**  
Not functional

**Number button**  
Enters channel numbers or other numbers required. Also supports characters.

**— (DASH)**  
Selects a program number for multiple program channels such as 2-1, 2-2, etc.

**FLASHBK**  
Tunes to the last channel or input viewed.



**+ VOL -**

Adjusts the volume level.

**CC, CHAR/NUM**

CC: Selects a closed caption.

CHAR/NUM: Switches between Letter and Number input modes.

**TIMER**

Turns the TV off in a set amount of time.

**MUTE  $\times$ , DELETE**

MUTE: Mutes all sounds.

DELETE: Deletes letters and numbers.

**^ CH v, | PAGE |**

CH: Scrolls through the saved channels.

PAGE: Moves to the previous or next screen.

**PORTAL**

Displays and removes the interactive menu. (For LT560C series)

Displays the EzSign content on a TV Screen. (For LT560E, LS460E series)

**INFO  $\Phi$**

Views the information of the current program and screen.

(For LT560C series)

Shows or hides the information on TV remote control buttons in EzSign mode. (For LT560E, LS460E series)

**GUIDE**

Displays and removes the electronic program guide.

(For LT560C series)

Shows Contents List in EzSign mode. (For LT560E, LS460E series)

**Navigation buttons (up/down/left/right)**

Scrolls through menus or options.

**OK/ENTER  $\odot$**

Selects menus or options and confirms your input.

**↶ (BACK)**

Returns to the previous level.

**MENU/SETTINGS**

Accesses the main menu.

**EXIT  $\square$**

Clears all on-screen displays and returns to TV viewing.

**Color buttons**

These access special functions in some menus.

**VCR/DVD/USB control buttons**

Controls video cassette recorders or DVD players or USB.

Not functional when EzSign contents is on.

**SIMPLINK**

Accesses the AV devices connected to the TV;

Opens the SIMPLINK menu.

**PIP**

Not functional

**PIP CH +/-**

Not functional

**SWAP**

Not functional

**PIP INPUT**

Not functional

**SAP**

Analog mode: Selects MTS sound (Mono, Stereo, or a SAP)

DTV mode: Changes the audio language.

# GENERAL TROUBLESHOOTING

## Display Panel Picture

| Symptom     | Possible Cause(s)              | Possible Solution(s)                              |
|-------------|--------------------------------|---|
| No picture. | • Display panel is turned off. | • Turn TV ON.<br>• Power failure?                 |
|             | • Antenna/cable not connected. | • Connect antenna/cable signal to TV.             |
|             | • Connections incorrect.       | • Check connections on TV.                        |
|             | • MPI not connected            | • If applicable, connect MPI cable to MPI device. |
|             | • Encrypted program.           | • Try another channel.                            |
|             | • Wrong tuning band.           | • Adjust Installer Menu settings.                 |

## Picture Reception

| Symptom                              | Possible Cause(s)                | Possible Solution(s)                                       |
|--------------------------------------|----------------------------------|--|
| Normal picture,<br>poor or no sound. | • Wrong Installer Menu settings. | • Press MUTE or use Volume Up key to increase sound level. |
|                                      | • Broadcast problem.             | • Try a different channel.                                 |

# CAUTION FOR USING EZSIGN 2.0

## For 32/37/42/47LT560E, 55LS460E

- Do not remove a USB drive while data is being copied. It can corrupt the data and EzSign may not work properly.
- While loading a USB device or dongle, your TV may function slower than normal.
- While EzSign contents is running, the movie with internal subtitles is not supported in USB mode. EzSign TV supports only external subtitles.  
(External Subtitle format: \*.smi/\* .srt/\* .sub(MicroDVD, Subviewer 1.0/2.0)/\* .ass/\* .ssa/\* .txt(TMPlayer)/\* .psb(PowerDivX)
- Some user-created subtitles may not work properly.
- Some special characters are not supported in subtitles.
- HTML tags are not supported in subtitles.
- Subtitles in languages other than the supported languages are not available.
- EzSign 2.0 TV function does not work before completing the initial setup Wizard. Make sure to complete the initial setup Wizard by turning on the TV after installation.
- If the time is set according to the TV signal, it may not appeared exactly for some region. In that case, set the time manually.
- It is recommended that you copy files to the TV memory before playing them, as playing directly from the USB memory for an extended period of time may cause the device to overheat.
- In EzSign 2.0 TV mode, some remote control keys may not work.
- EzSign 2.0 TV dose not support the USB HUB. It is recommended that you connect a USB device directly to the TV without using a USB extension cable as it may not work properly.
- It is recommended that you use EzSign 2.0 TV within 8 hours per day as it is standard.
- Refer to the EzSign 2.0 Editor user guide for details.
- EzSign 2.0 TV does not support Store Demo.



# SPECIFICATIONS

Product specifications may be changed without prior notice due to upgrade of product functions.

|                            |  |               |
|----------------------------|--|---------------|
| Power requirement          | AC100 - 240 V ~ 50/60 Hz                               |               |
| Television System          | NTSC-M, ATSC, 64 & 256 QAM                             |               |
| Program Coverage           | VHF 2-13, UHF 14-69, CATV 1-135, DTV 2-69, CADTV 1-135 |               |
| External Antenna Impedance | 75 Ω   |               |
| Environment condition      | Operating Temperature                                  | 0 - 40°C      |
|                            | Operating Humidity                                     | Less than 80% |
|                            | Storage Temperature                                    | -20 - 60°C    |
|                            | Storage Humidity                                       | Less than 85% |

| MODELS                    |               | 22LT560C<br>(22LT560C-UA)  | 26LT560C<br>(26LT560C-UA)  |
|---------------------------|---------------|--|--|
| Dimensions<br>(W x H x D) | With stand    | 516.6 mm x 385.7 mm x 192.0 mm<br>(20.3 inch x 15.1 inch x 7.5 inch) | 625.9 mm x 453.5 mm x 192.0 mm<br>(20.3 inch x 17.8 inch x 7.5 inch) |
|                           | Without stand | 516.6 mm x 332.2 mm x 41.6 mm<br>(20.3 inch x 13.0 inch x 1.6 inch)  | 625.9 mm x 393.2 mm x 46.6 mm<br>(20.3 inch x 15.4 inch x 1.8 inch)  |
| Weight                    | With stand    | 3.7 kg (8.1 lbs)   | 4.7 kg (10.3 lbs)  |
|                           | Without stand | 3.1 kg (6.8 lbs)   | 4.1 kg (9.0 lbs)   |

| MODELS                    |               | 32LT560C<br>(32LT560C-UA)  | 37LT560C<br>(37LT560C-UA)  |
|---------------------------|---------------|--|--|
|                           |               | 32LT560E<br>(32LT560E-UA)  | 37LT560E<br>(37LT560E-UA)  |
| Dimensions<br>(W x H x D) | With stand    | 765.6 mm x 535.6 mm x 231.9 mm<br>(30.1 inch x 21.0 inch x 9.1 inch) | 867.3 mm x 592.8 mm x 231.9 mm<br>(30.1 inch x 21.0 inch x 9.1 inch) |
|                           | Without stand | 765.6 mm x 475.8 mm x 68.5 mm<br>(30.1 inch x 18.7 inch x 2.6 inch)  | 867.3 mm x 532.8 mm x 68.6 mm<br>(30.1 inch x 18.7 inch x 2.6 inch)  |
| Weight                    | With stand    | 9.2 kg (20.2 lbs)  | 11.2 kg (24.6 lbs)   |
|                           | Without stand | 8.0 kg (17.6 lbs)  | 10.0 kg (22.0 lbs)   |

| MODELS                    |               | 42LT560C<br>(42LT560C-UA)   | 47LT560E<br>(47LT560E-UA)   |
|---------------------------|---------------|---|---|
|                           |               | 42LT560E<br>(42LT560E-UA)   |   |
| Dimensions<br>(W x H x D) | With stand    | 991.7 mm x 666.5 mm x 273.1 mm<br>(39.0 inch x 26.2 inch x 10.7 inch) | 1,101.0 mm x 728.5 mm x 273.1 mm<br>(43.3 inch x 28.6 inch x 10.7 inch) |
|                           | Without stand | 991.7 mm x 604.0 mm x 55.0 mm<br>(39.0 inch x 23.7 inch x 2.1 inch)   | 1,101.0 mm x 665.4 mm x 54.5 mm<br>(43.3 inch x 26.1 inch x 2.1 inch)   |
| Weight                    | With stand    | 15.5 kg (34.1 lbs)  | 17.3Kg (38.1 lbs)   |
|                           | Without stand | 13.5 kg (29.7 lbs)  | 15.3Kg (33.7 lbs)   |

| MODELS                    |               | 55LS460E<br>(55LS460E-UA)   |
|---------------------------|---------------|---|
| Dimensions<br>(W x H x D) | With stand    | 1,263.0 mm x 822.0 mm x 315.0 mm<br>(49.7 inch x 32.4 inch x 12.4 inch) |
|                           | Without stand | 1,263.0 mm x 754.0 mm x 35.5 mm<br>(49.7 inch x 29.7 inch x 1.4 inch)   |
| Weight                    | With stand    | 25.5 Kg (56.2 lbs)  |
|                           | Without stand | 21.9 Kg (48.3 lbs)  |

RGB(PC), HDMI (PC) supported mode

| Resolution | Horizontal Frequency (KHz) | Vertical Frequency (Hz) |
|------------|----------------------------|-------------------------|
| 720x400    | 31.46                      | 70.08                   |
| 640x480    | 31.46                      | 59.94                   |
| 800x600    | 37.87                      | 60.31                   |
| 1024x768   | 48.36                      | 60.00                   |
| 1360x768   | 47.71                      | 60.01                   |
| 1280x1024  | 63.98                      | 60.02                   |
| 1920x1080  | 67.50                      | 60.00                   |

For 37/42LT560C,  
37/42/47LT560E,  
55LS460E

HDMI (DTV) supported mode

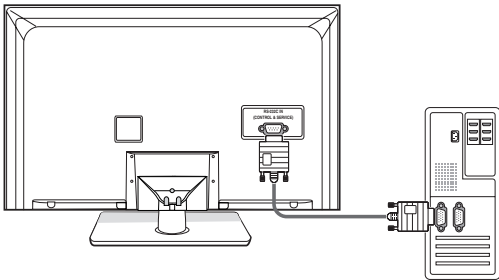
| Resolution | Horizontal Frequency (KHz) | Vertical Frequency (Hz) |
|------------|----------------------------|-------------------------|
| 720x480p   | 31.47                      | 59.94                   |
|            | 31.50                      | 60.00                   |
| 1280x720p  | 44.96                      | 59.94                   |
|            | 45.00                      | 60.00                   |
| 1920x1080i | 33.72                      | 59.94                   |
|            | 33.75                      | 60.00                   |
| 1920x1080p | 26.97                      | 23.97                   |
|            | 27.00                      | 24.00                   |
|            | 33.71                      | 29.97                   |
|            | 33.75                      | 30.00                   |
|            | 67.43                      | 59.94                   |
|            | 67.5                       | 60.00                   |

# EXTERNAL CONTROL DEVICE SETUP

## RS-232C Setup

Connect the RS-232C (serial port) input jack to an external control device (such as a computer or an A/V control system) to control the product's functions externally.

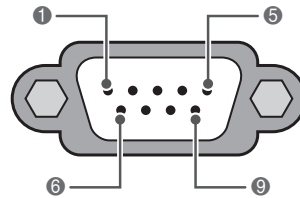
Connect the serial port of the control device to the RS-232C jack on the product back panel.



### ! NOTE

- RS-232C on this unit is intended to be used with third party RS-232C control hardware and software. The instructions below are provided to help with programming software or to test functionality using telenet software. RS-232C connection cables are not supplied with the product.

## Type of connector; D-Sub 9-Pin Male

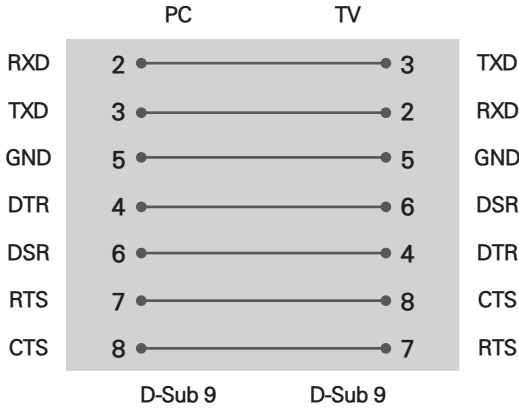


RS-232C IN  
(CONTROL & SERVICE)

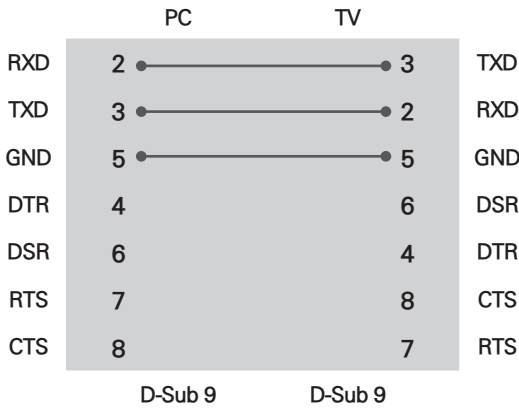
| No. | Pin name             |
|-----|----------------------|
| 1   | No connection        |
| 2   | RXD (Receive data)   |
| 3   | TXD (Transmit data)  |
| 4   | DTR (DTE side ready) |
| 5   | GND                  |
| 6   | DSR (DCE side ready) |
| 7   | RTS (Ready to send)  |
| 8   | CTS (Clear to send)  |
| 9   | No Connection        |

## RS-232C configurations

7-Wire Configuration  
(Serial female-female NULL modem cable)

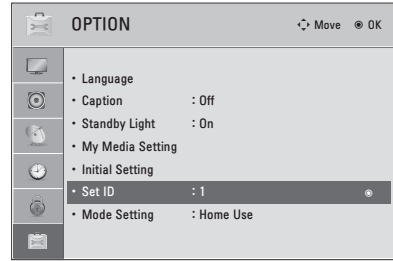


3-Wire Configurations(Not standard)



### Set ID

Set ID number.



- 1 Press **Home** or **MENU** to access the main menus.
- 2 Press the Navigation buttons to scroll to **OPTION** and press **ENTER**.
- 3 Press the Navigation buttons to scroll to **Set ID** and press **ENTER**.
- 4 Scroll left or right to select a set ID number and select **CLOSE**. The adjustment range is 1-99.
- 5 When you are finished, press **EXIT**.

```
*Real data mapping
0 : Step 0
  :
A : Step 10 (SET ID 10)
  :
F : Step 15 (SET ID 15)
10 : Step 16 (SET ID 16)
  :
63 : Step 99 (SET ID 99)
64 : Step 100
```

## Communication Parameters

- Baud rate: 9600 bps (UART)
- Data length: 8 bits
- Parity : None
- Stop bit: 1 bit
- Communication code: ASCII code
- Use a crossed (reverse) cable.

## Command reference list

|                              | COMMAND1 | COMMAND2 | DATA<br>(Hexadecimal) |                             | COMMAND1 | COMMAND2 | DATA<br>(Hexadecimal) |
|------------------------------|----------|----------|-----------------------|-----------------------------|----------|----------|-----------------------|
| 01. Power                    | k        | a        | 00 - 01               | 14. Treble                  | k        | r        | 00 - 64               |
| 02. Input Select             | x        | b        | (See p.31)            | 15. Bass                    | k        | s        | 00 - 64               |
| 03. Aspect Ratio             | k        | c        | (See p.31)            | 16. Balance                 | k        | t        | 00 - 64               |
| 04. Screen Mute              | k        | d        | 00 - 01               | 17. 3D (For 3D TV)          | x        | t        | (See p.32)            |
| 05. Volume Mute              | k        | e        | 00 - 01               | 18. Color Temperature       | x        | u        | 00 - 64               |
| 06. Volume Control           | k        | f        | 00 - 64               | 19. Extended 3D (For 3D TV) | x        | v        | (See p.32)            |
| 07. Contrast                 | k        | g        | 00 - 64               | 20. Energy Saving           | j        | q        | (See p.33)            |
| 08. Brightness               | k        | h        | 00 - 64               | 21. Auto Configuration      | j        | u        | (See p.33)            |
| 09. Color                    | k        | i        | 00 - 64               | 23. Channel Add/Del         | m        | b        | 00 - 01               |
| 10. Tint                     | k        | j        | 00 - 64               | 24. Key                     | m        | c        | (See p.33)            |
| 11. Sharpness                | k        | k        | 00 - 64               | 25.. Backlight              | m        | g        | 00 - 64               |
| 12. OSD Select               | k        | l        | 00 - 01               |                             |          |          |                       |
| 13. Remote Control Lock Mode | k        | m        | 00 - 01               |                             |          |          |                       |

|                    | COMMAND1 | COMMAND2 | DATA00<br>(Hexadecimal) | DATA01<br>(Hexadecimal) | DATA02<br>(Hexadecimal) | DATA03<br>(Hexadecimal) | DATA04<br>(Hexadecimal) | DATA05<br>(Hexadecimal) |
|--------------------|----------|----------|-------------------------|-------------------------|-------------------------|-------------------------|-------------------------|-------------------------|
| 22. Channel Tuning | m        | a        | physical program high   | major program low       | major low               | minor high              | minor low               | attribute               |

## Transmission / Receiving protocol

### Transmission

**[Command1][Command2][ ][Set ID][ ][Data][Cr]**

[Command 1] : First command to control the set.(j, k, m or x)

[Command 2] : Second command to control the set.

[Set ID] : You can adjust the set ID to choose desired set ID number in Option menu. Adjustment range is 1~ 99. When selecting Set ID '0', every connected the set is controlled. Set ID is indicated as decimal (1~ 99) on menu and as Hexa decimal (0x0~ 0x63) on transmission /receiving protocol.

[DATA] : To transmit the command data.

Transmit the 'FF' data to read status of command.

[Cr] : Carriage Return

ASCII code '0x0D'

[ ] : ASCII code 'space (0x20)'

\* In this model, set will not send the status during the standby mode.

### OK Acknowledgement

**[Command2][ ][Set ID][ ][OK][Data][x]**

The set transmits ACK (acknowledgement) based on this format when receiving normal data. At this time, if the data is data read mode, it indicates present status data. If the data is data write mode, it returns the data of the PC computer.

\* In this model, set will not send the status during the standby mode.

\* Data Format

[Command 2] : Use as command.

[Set ID] : Use the small character, if set ID is 10, it will send the '0', 'a'.

[DATA] : Use the small character, if data is 0 x ab, it will send the 'a', 'b'.

[OK] : Use the large character.

### Error Acknowledgement

**[Command2][ ][Set ID][ ][NG][Data][x]**

The set transmits ACK (acknowledgement) based on this format when receiving abnormal data from non-viable functions or communication errors.

Data01: Illegal Code

Data02: Not supported function

Data03: Wait more time

\* In this model, set will not send the status during the standby mode.

\* Data Format

[Command 2] : Use as command.

[Set ID] : Use the small character, if set ID is 10, it will send the '0', 'a'.

[DATA] : Use the small character, if data is 0 x ab, it will send the 'a', 'b'.

[NG] : Use the large character

**01. Power (Command: k a)**

To control Power On/Off of the set.

Transmission [k][a][ ][Set ID][ ][Data][Cr]

Data 00: Power Off Data 01: Power On

Acknowledgement [a][ ][Set ID][ ][OK/NG][Data][x]

- \* In a like manner, if other functions transmit 'FF' data based on this format, Acknowledgement data feedback presents status about each function.
- \* Note: In this model, set will send the Acknowledge after power on processing completion.  
There might be a time delay between command and acknowledge.

**02. Input Select (Command: x b)**

To select input source for set.

Transmission [x][b][ ][Set ID][ ][Data][Cr]

Data 00: DTV (Antenna) Data 01: DTV (Cable)  
Data 10: Analog (Antenna) Data 11: Analog (Cable)  
Data 20: AV or AV1 Data 21: AV2  
Data 40: Component or Component1  
Data 41: Component2  
Data 60: RGB-PC Data 90: HDMI1  
Data 91: HDMI2 Data 92: HDMI3

Acknowledgement [b][ ][Set ID][ ][OK/NG][Data][x]

- \* Use the feature depending on your model.

**03. Aspect Ratio (Command: k c)**

To adjust the screen format.

Transmission [k][c][ ][Set ID][ ][Data][Cr]

Data 01: 4:3 Data: 09: Just scan  
Data 02: 16:9 Data: 10: Cinema Zoom 1  
Data 04: Zoom :  
Data 06: Set by program Data 1F: Cinema Zoom16

Acknowledgement [c][ ][Set ID][ ][OK/NG][Data][x]

**04. Screen Mute (Command: k d)**

To select screen mute on/off.

Transmission [k][d][ ][Set ID][ ][Data][Cr]

Data 00: Screen mute off (Picture on), Video-out Mute off  
Data 01: Screen mute on (Picture off)  
Data 10: Video-out Mute on

Acknowledgement [d][ ][Set ID][ ][OK/NG][Data][x]

- \* In case of Video-out Mute on only, TV will display On Screen Display (OSD). But, in case of screen mute on, TV will not display On Screen Display (OSD).

**05. Volume Mute (Command: k e)**

To control volume mute on/off.

You can also adjust mute using the MUTE button on remote control.

Transmission [k][e][ ][Set ID][ ][Data][Cr]

Data 00: Volume mute on (Volume off)  
Data 01: Volume mute off (Volume on)

Acknowledgement [e][ ][Set ID][ ][OK/NG][Data][x]

**06. Volume Control (Command: k f)**

To adjust volume.

You can also adjust volume with the volume buttons on remote control.

Transmission [k][f][ ][Set ID][ ][Data][Cr]

Data Min: 00 ~ Max: 64 (\*transmit by Hexadecimal code)  
\*Refer to "Real data mapping".

Acknowledgement [f][ ][Set ID][ ][OK/NG][Data][x]

**07. Contrast (Command: k g)**

To adjust screen contrast.

You can also adjust contrast in the PICTURE menu.

Transmission [k][g][ ][Set ID][ ][Data][Cr]

Data Min: 00 ~ Max: 64 (\*transmit by Hexadecimal code)  
\*Refer to "Real data mapping".

Acknowledgement [g][ ][Set ID][ ][OK/NG][Data][x]

**08. Brightness (Command: k h)**

To adjust screen brightness.

You can also adjust brightness in the PICTURE menu.

Transmission [k][h][ ][Set ID][ ][Data][Cr]

Data Min: 00 ~ Max: 64 (\*transmit by Hexadecimal code)  
\*Refer to "Real data mapping".

Acknowledgement [h][ ][Set ID][ ][OK/NG][Data][x]

**09. Color (Command: k i)**

To adjust screen color.

You can also adjust color in the PICTURE menu.

Transmission [k][i][ ][Set ID][ ][Data][Cr]

Data Min: 00 ~ Max: 64 (\*transmit by Hexadecimal code)  
\*Refer to "Real data mapping".

Acknowledgement [i][ ][Set ID][ ][OK/NG][Data][x]

**10. Tint (Command: k j)**

To adjust screen tint.

You can also adjust tint in the PICTURE menu.

Transmission [k][j][ ][Set ID][ ][Data][Cr]

Data Red: 00 ~ Green: 64 (\*transmit by Hexadecimal code)  
\*Refer to "Real data mapping".

Acknowledgement [ j ][ ][Set ID][ ][OK/NG][Data][x]

**11. Sharpness (Command: k k)**

To adjust screen sharpness.

You can also adjust sharpness in the PICTURE menu.

Transmission [k][k][ ][Set ID][ ][Data][Cr]

Data Min: 00 ~ Max: 64 (\*transmit by Hexadecimal code)  
\*Refer to "Real data mapping".

Acknowledgement [k][ ][Set ID][ ][OK/NG][Data][x]

**12. OSD Select (Command: k l)**

To select OSD (On Screen Display) on/off.

Transmission [k][l][ ][Set ID][ ][Data][Cr]

Data 00: OSD off    Data 01: OSD on

Acknowledgement [l][ ][Set ID][ ][OK/NG][Data][x]

**13. Remote Control Lock Mode (Command: k m)**

To lock the remote control and the front panel controls on the set.

Transmission [k][m][ ][Set ID][ ][Data][Cr]

Data 00: Lock off    Data 01: Lock on

Acknowledgement [m][ ][Set ID][ ][OK/NG][Data][x]

If you're not using the remote control and front panel controls on the Monitor set, use this mode. When main power is on/off, remote control lock is released. If Key Lock is on in the standby mode, TV will not turn on by POWER button of remote control and on the TV.

**14. Treble (Command: k r)**

To adjust treble.

You can also adjust treble in the AUDIO menu.

Transmission [k][r][ ][Set ID][ ][Data][Cr]

Data Min: 00 ~ Max: 64 (\*transmit by Hexadecimal code)

\*Refer to "Real data mapping".

Acknowledgement [r][ ][Set ID][ ][OK/NG][Data][x]

**15. Bass (Command: k s)**

To adjust bass.

You can also adjust bass in the AUDIO menu.

Transmission [k][s][ ][Set ID][ ][Data][Cr]

Data Min: 00 ~ Max: 64 (\*transmit by Hexadecimal code)

\*Refer to "Real data mapping".

Acknowledgement [s][ ][Set ID][ ][OK/NG][Data][x]

**16. Balance (Command: k t)**

To adjust balance.

You can also adjust balance in the AUDIO menu.

Transmission [k][t][ ][Set ID][ ][Data][Cr]

Data Min: 00 ~ Max: 64 (\*transmit by Hexadecimal code)

\*Refer to "Real data mapping".

Acknowledgement [t][ ][Set ID][ ][OK/NG][Data][x]

**17. 3D (Command: x t) (For 3D TV)**

To change 3D mode for TV.

Transmission [x][t][ ][Set ID][ ][Data01][ ][Data02][ ][Data03][ ][Data04][Cr]

Data01

00: 3D On                      01: 3D Off  
02: 3D to 2D                03: 2D to 3D

Data02

00: Top and Bottom    01: Side by Side  
02: Check Board        03: Frame Sequential

Data03

00: Right to Left  
01: Left to Right

Data04

3D Depth: Min : 00 ~ Max : 14

(\*transmit by Hexadecimal code)

\*If data01 is 00(3D On), data04 has no meaning.

\*If data01 is 01(3D Off) or 02(3D to 2D), data02, data03 and data04 have no meaning.

\*If data1 is 03(2D to 3D), data2 has no meaning.

| Data 01 | Data 02 | Data 03 | Data 04 |
|---------|---------|---------|---------|
| 00      | o       | o       | x       |
| 01      | x       | x       | x       |
| 02      | x       | x       | x       |
| 03      | x       | o       | o       |

x : Don't care

Acknowledgement [t][ ][OK][Data01][Data02][Data03][Data04][x][t][ ][NG][Data01][x]

**18. Color Temperature (Command: x u)**

To adjust color temperature.

You can also adjust color temperature in the PICTURE menu.

Transmission [x][u][ ][Set ID][ ][Data][Cr]

Data Min: 00 ~ Max: 64 (\*transmit by Hexadecimal code)

\*Refer to "Real data mapping".

Acknowledgement [u][ ][Set ID][ ][OK/NG][Data][x]

**19. Extended 3D (Command: x v) (For 3D TV)**

To change 3D option for TV.

Transmission [x][v][ ][Set ID][ ][Data01][ ][Data02][Cr]

Data01: 3D option

00: 3D Picture Correction  
01: 3D Depth (2D to 3D Only)  
02: 3D Viewpoint  
03: 3D Picture Size  
04: 3D Picture Balance  
05: 3D Optimization

Data02: It has own range for each 3D option determined by Data1.

1) When Data1 is 00

00: Right to Left    01: Left to Right

2) When Data1 is 01, 02

Data Min: 00 ~ Max: 14 (\*transmit by Hexadecimal code)

3) When Data1 is 03

00: Just Scan            01: 16:9

4) When Data1 is 04

00: Off                    01: On

5) When Data1 is 05

Data Min: 00 ~ Max: 02 (\*transmit by Hexadecimal code)

Acknowledgement [v][ ][OK][Data01][Data02][x][ ][NG][Data01][x]

\* Use the feature depending on your model.



**20. Energy Saving (Command: j q)**

To control the energy saving function.

Transmission [ j ][q][ ][Set ID][ ][Data][Cr]

Data 00: off

- 01: Minimum
- 02: Medium
- 03: Maximum
- 04: Auto/Intelligent sensor (depending on model)
- 05: Screen off

Acknowledgement [q][ ][Set ID][ ][OK/NG][Data][x]

**21. Auto Configuration (Command: j u)**

To adjust picture position and minimize image shaking automatically. Auto configuration only works in RGB-PC mode.

Transmission [ j ][u][ ][Set ID][ ][Data][Cr]

Data 01: To set

Acknowledgement [u][ ][Set ID][ ][OK/NG][Data][x]

**22. Channel Tuning (Command: m a)**

To tune channel to following physical/major/minor number.

Transmission [m][a][ ][Set ID][ ][Data00][ ][Data01][ ][Data02][ ][Data03][ ][Data04][ ][Data05][Cr]

Digital channels have a Physical, Major, and Minor channel number. The Physical number is the actual digital channel number, the Major is the number that the channel should be mapped to, and the Minor is the sub-channel. Since the ATSC tuner automatically maps the channel to the Major number, the Physical number is not required when sending a command.

Data 00: Physical Channel Number

NTSC air: 02~45, NTSC cable: 01, 0E~7D

ATSC air: 01~45, ATSC cable: 01~87

Data 01 & 02: Major Channel Number

Data 01: High byte Data 02: Low byte

Two bytes are available for the Major and Minor, normally only the second byte is used.

Data 03 & 04: Minor Channel Number

Not needed for NTSC.

The table above lists the binary code which must be converted to Hexadecimal before sending. For example: The binary code to tune the sub source to an NTSC cable channel is "1000 0001", which translates to "81" in Hex.

- \* 7th bit : For which source do you want to change the channel.
- \* 6th bit: Use a two part or one part channel. Most cases just use 0 since it's ignored when using NTSC.
- \* 5th bit: Use 0 with NTSC since it can only use the physical channel number. Normally use 1 for ATSC since most times it doesn't matter what the physical number is.
- \* 4th bit: Set to 0.
- \* 3-0 bits: Choose signal type.

\* Tune Command Examples:

1. Tune to the analog (NTSC) cable channel 35.

Data 00 = Physical of 35 = 23

Data 01 & 02 = No Major = 00 00

Data 03 & 04 = No Minor = 00 00  
Data 05 = 0000 0001 in binary = 01  
Total = ma 00 23 00 00 00 00 01

2. Tune to the digital (ATSC) local channel 30-3.

Data 00 = Don't know Physical = 00

Data 01 & 02 = Major is 30 = 00 1E

Data 03 & 04 = Minor is 3 = 00 03

Data 05 = 0010 0010 in binary = 22

Total = ma 00 00 00 1E 00 03 22

\* Use the feature depending on your model.

**23. Channel Add/Del (Command: m b)**

To add and delete the channels.

Transmission [m][b][ ][Set ID][ ][Data][Cr]

Data 00: Channel Delete Data 01: Channel Add

Acknowledgement [b][ ][Set ID][ ][OK/NG][Data][x]

**24. Key (Command: m c)**

To send IR remote key code.

Transmission [m][c][ ][Set ID][ ][Data][Cr]

Data Key Code - See p.22

Acknowledgement [c][ ][Set ID][ ][OK/NG][Data][x]

When TV is in the standby mode, TV will turn on by POWER button of remote control only.

**25. Backlight (Command: m g)**

To adjust screen backlight.

Transmission [m][g][ ][Set ID][ ][Data][Cr]

Data Min:00 ~ Max:64 (\*transmit by Hexadecimal code)

\*Refer to "Real data mapping".

Acknowledgement [g][ ][Set ID][ ][OK/NG][Data][x]

\* Table List (Channel Tuning)

| 7 | Main/Sub Picture | 6 | Two/One Part Channel | 5 | Using Physical Channel | 4 Reserved | 3 | 2 | 1 | 0 | Step            |
|---|------------------|---|----------------------|---|------------------------|------------|---|---|---|---|-----------------|
| 0 | Main             | 0 | Two                  | 0 | Use                    | x          | 0 | 0 | 0 | 0 | NTSC Air        |
| 1 | Sub              | 1 | One                  | 1 | No Use                 | x          | 0 | 0 | 0 | 1 | NTSC Cable      |
|   |                  |   |                      |   |                        | x          | 0 | 0 | 1 | 0 | ATSC Air        |
|   |                  |   |                      |   |                        | x          | 0 | 0 | 1 | 1 | ATSC Cable_std  |
|   |                  |   |                      |   |                        | x          | 0 | 1 | 0 | 0 | ATSC Cable_hrc  |
|   |                  |   |                      |   |                        | x          | 0 | 1 | 0 | 1 | ATSC Cable_irc  |
|   |                  |   |                      |   |                        | x          | 0 | 1 | 1 | 0 | ATSC cable_auto |
|   |                  |   |                      |   |                        | x          | 0 | 1 | 1 | 1 | Reserved        |
|   |                  |   |                      |   |                        | x          | x | x | x | x | ...             |
|   |                  |   |                      |   |                        | x          | 1 | 1 | 1 | 1 | Reserved        |

# CHILD SAFETY:

It Makes A Difference How and Where You Use Your Flat Panel Display

**Congratulations on your purchase! As you enjoy your new product, please keep these safety tips in mind:**



## THE ISSUE

- The home theater entertainment experience is a growing trend and larger flat panel displays are popular purchases. However, flat panel displays are not always supported on the proper stands or installed according to the manufacturer's recommendations.
- Flat panel displays that are inappropriately situated on dressers, bookcases, shelves, desks, speakers, chests or carts may fall over and cause injury.

## THIS MANUFACTURER CARES!

- The consumer electronics industry is committed to making home entertainment enjoyable and safe.

## TUNE INTO SAFETY

- One size does NOT fit all. Follow the manufacturer's recommendations for the safe installation and use of your flat panel display.
- Carefully read and understand all enclosed instructions for proper use of this product.
- Don't allow children to climb on or play with furniture and television sets.
- Don't allow place flat panel displays on furniture that can easily be used as steps, such as a chest of drawers.
- Remember that children can become excited while watching a program, especially on a "larger than life" flat panel display. Care should be taken to place or install the display where it cannot be pushed, pulled over, or knocked down.
- Care should be taken to route all cords and cables connected to the flat panel display so that they cannot be pulled or grabbed by curious children.

## WALL MOUNTING: IF YOU DECIDE TO WALL MOUNT YOUR FLAT PANEL DISPLAY, ALWAYS:

- Use a mount that has been recommended by the display manufacturer and/or listed by an independent laboratory (such as UL, CSA, ETL).
- Follow all instructions supplied by the display and wall mount manufacturers.
- If you have any doubts about your ability to safely install your flat panel display, contact your retailer about professional installation.
- Make sure that the wall where you are mounting the display is appropriate. Some wall mounts are not designed to be mounted to walls with steel studs or old cinder block construction. If you are unsure, contact a professional installer.
- A minimum of two people are required for installation. Flat panel displays can be heavy



**CEA**  
Consumer Electronics Association

[www.CE.org/safety](http://www.CE.org/safety)



The model and serial numbers of the TV are located on the back and/or one side of the TV. Record them below should you ever need service.

MODEL \_\_\_\_\_

SERIAL \_\_\_\_\_

### LG Customer Information Center

For inquiries or comments, visit [www.lg.com](http://www.lg.com) or call:

|                       |                      |
|-----------------------|----------------------|
| <b>1-888-865-3026</b> | USA, Commercial User |
| <b>1-888-542-2623</b> | CANADA               |

Pro:Centric is a trademark of LG Electronics U.S.A., Inc. (For LT560C series)

All other trademarks or registered trademarks are the property of their respective owners.



This product qualifies for ENERGY STAR in the "factory default (Home Use)" setting.

Changing the factory default settings or enabling other features may increase power consumption that could exceed the limits necessary to qualify for ENERGY STAR.