

LED Lighting Solutions

PRODUCT FEATURES

- . The Flex Pixel WP (**FLE742**) is a 10' (3M) flexible LED Pixel Tape with waterproof cover. It features 72 RGB SMD tri color LED Pixels (216 CH.) per tape spaced on 40mm (1.6") centers. You can mount the tape to any surface using our Flex IP Clip kit (optional) and the tape can be cut and extended every 4".
- . **Power Rating:** 20W @ 5V DC maximum
- . **Approvals:** ETL Approved
- . **Dimensions:** 15mm W x 5mm H x 3M L (not including in/out cables)

FLEX PIXEL DRIVERS:

- . Flex Pixel Driver (**FLE768**) is a dedicated DMX driver for up to 144 Pixels / 2 Tapes / up to 432 dmx channels of control. It's small, compact design allows for easy mounting and integration into your installation.
- . **Dimensions:** 40mm W x 20mm H x 90mm L
- . The Flex Pixel IR (**FLE755**) Infrared Wireless Receiver & Remote driver allows for stand alone control of the Flex Pixel WP Tape

FLEX PIXEL PSU:

- . Both of the above drivers to be used with the FLEX PIXEL 5VPSU (**FLE781**) 5volt, 5amp (120-240v) power supply required for each section of Flex Pixel WP Tape.
- . **Dimensions:** 55mm W x 30mm H x 125mm L



Flex Pixel Driver (**FLE768**)



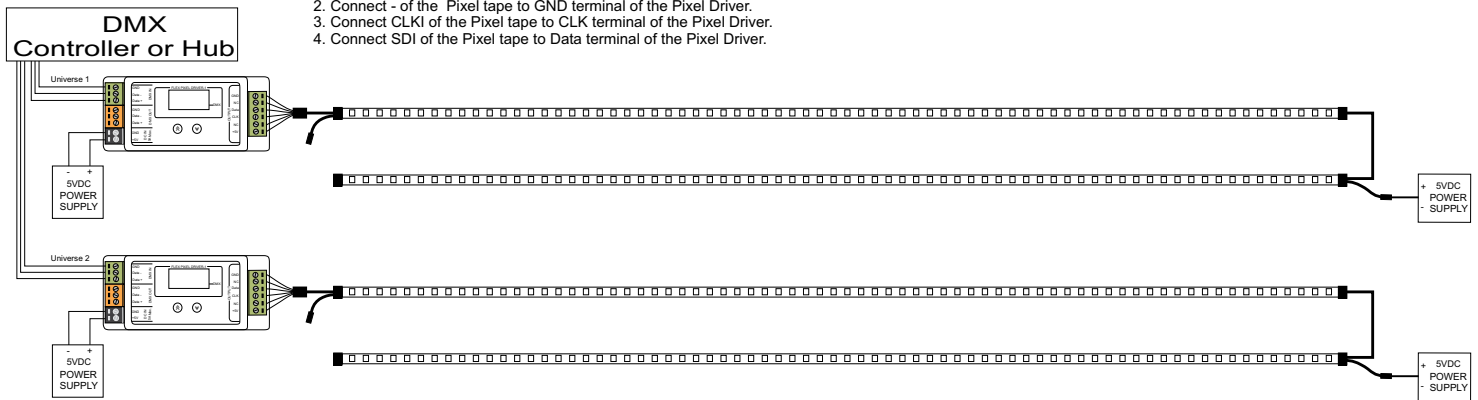
Flex Pixel IR (**FLE755**)



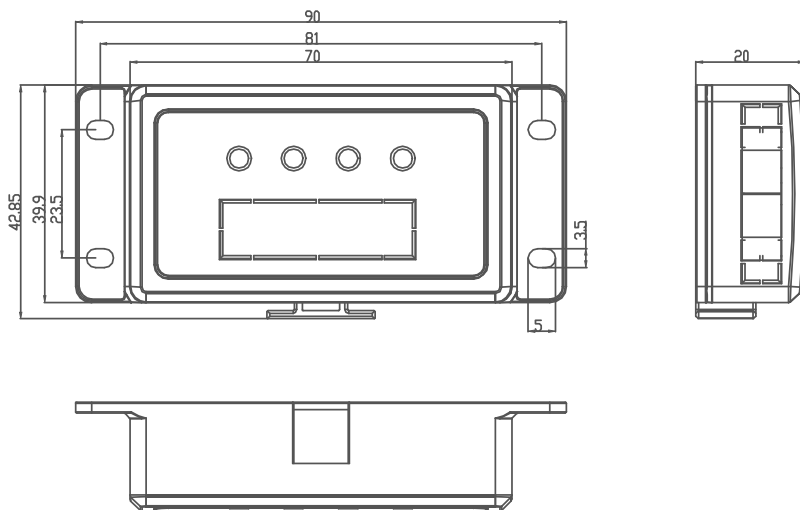
FLEX PIXEL 5VPSU (**FLE781**)

FLEX PIXEL WP & FLEX PIXEL DRIVER1 CONNECTION DIAGRAM

1. Connect + of the Pixel tape to +5V terminal of the Pixel Driver.
2. Connect - of the Pixel tape to GND terminal of the Pixel Driver.
3. Connect CLKI of the Pixel tape to CLK terminal of the Pixel Driver.
4. Connect SDI of the Pixel tape to Data terminal of the Pixel Driver.



Flex Pixel Driver Dimensional Drawing



LED Lighting Solutions

- . LED driver is customized when the circumstance of working temperature is below 0°C
- . Use only switching power supply or coiled transformer for 24VDC power input
- . Customized 316# stainless steel is available

Order Code	Light Source	Suitable Lens	Beam Angle	Consumption	Input Voltage	Operating Current (mA)
ELAR A2AD0301	3 x 1W	L0330D050HY	30°	4.4W	24 VDC / 120/240	284/158 51/33
ELAR A2AD0302	3 x 3W	L0330D050HY	30°	7.2W	24 VDC / 120/240	303 128/63
ELAR A2AD0303	3 x 1W RGB	L0330D050HY	30°	3.8W	24 VDC	158
ELAR A2AD0304	3 x 3W RGB	L0330D050HY	30°	7.6W	24 VDC	315
ELAR A2AD0306	3 x 3W RGB 3-in-1	L0330D050HY	30°	10.6W	24 VDC	412

