

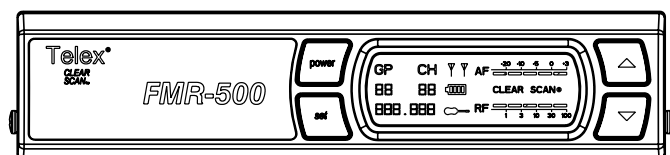
SPECIFICATIONS



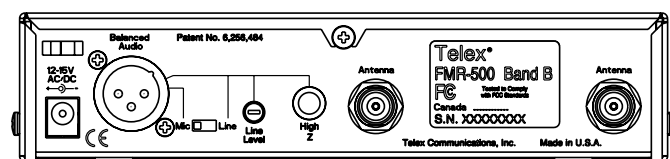
FMR-500 UHF

WIRELESS MICROPHONE SYSTEM

FMR-500 Receiver



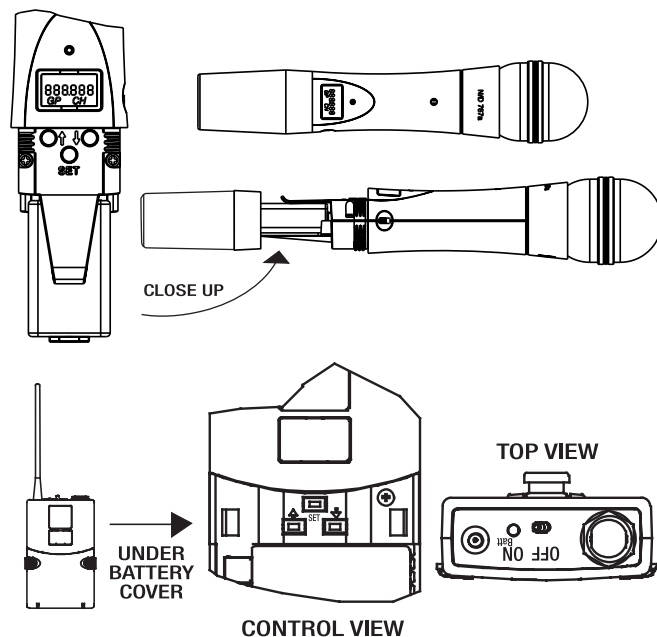
FRONT PANEL



REAR PANEL

Receiver Type	Synthesized PLL
Frequency Range (RF)	A Band 648 – 676 MHz B Band 696 – 724 MHz
Number of Channels	1112 possible frequencies Programmable in 25 kHz steps
Modulation	+/- 40 kHz
Diversity	Digital Posi-Phase™ True Diversity
RF Sensitivity	< 1.0 mV for 12 dB SINAD
Image Rejection	> 60dB
Squelch	Tone Code plus Amplitude
Ultimate Quieting	> 100dB
FCC Certification	Approved under Part 15
Power Requirements	12 V AC/DC 300mA
Operating Temperature	-7° to 49° C (20° to 120° F)
Dimensions	1.72" H x 7.5" W x 5.9" D 43.69mm H x 190.50mm W x 150mm D
AUDIO PARAMETERS:	
Frequency Response	50 – 15kHz +/- 2dB
Balanced Output	(max @ 40kHz deviation)
Mic Position	-10dBV
Line Position	adjustable 10mV - 2V RMS
Unbalanced Output	adjustable 10mV - 1V RMS
Distortion	<1.0%, 0.5% typical (ref 1kHz, 40kHz deviation)
Signal-to-Noise Ratio	>100dB A Weighted
Dynamic Range	>100dB

Transmitters WT-500 and HT-500



Radiated Output	30 mW typical
Microphone Head ElectroVoice 767a	N/D 767a supercardioid N/DYM Dynamic
Microphone Head ElectroVoice RE410	RE410 cardioid condenser
Standard Lavalier Microphone	ELM-22S MicroMini™ Omni-Directional Condenser
TA4 Connector Wiring	Pin 1: Ground; Pin 2 Mic Input; Pin 3: +5V bias; Pin 4: +5V bias through a 3k Ohm resistor
Audio Gain Adjustment	40 dB (26dB HT500)
Power Requirements	9 Volt Alkaline Battery
Battery Life (Typical)	> 8 hours with 9-Volt Alkaline Typical
Bodypack Antenna	Flexible external 1/4 wave
Handheld Antenna	Internal 1/2 wave
Dimensions (Handheld)	9.4 in. (24.0cm) Long
Dimensions (Bodypack)	3.8 in. H x 2.38 in. W x 0.92 in. D 96.5 mm H x 60.5 mm W x 23.4 mm D

UHF

AGILE

1122
FREQUENCIES

UP TO
10+
SIMULTANEOUS
SYSTEMS



TELEX COMMUNICATIONS

12000 Portland Avenue South, Burnsville, Minnesota 55337 U.S.A.
TEL: 800-392-3497 • FAX: 952-736-4582

pro.sound@telex.com www.telex.com/wirelessmicrophones

SPECIFICATIONS SUBJECT TO CHANGE WITHOUT NOTICE.
©2003 Telex Communications PA20636 8/03



FMR-500 UHF

WIRELESS MICROPHONE SYSTEM

*Power,
Performance,
Flexibility, and
Simplicity.*



Key Features

- Up to 10 systems can operate simultaneously from the pre-set groups of channels in one operating band. Groups of 16 coordinated channels between the two bands are also pre-set.
- Advanced ClearScan™ and one touch Auto ClearScan automatic group and channel selections, for quick and easy system setup.
- Completely programmable in 25kHz steps across 28MHz for 1112 possible frequencies
- Backlit receiver LCD display shows the Group/Channel, Frequency, transmitter battery status, diversity operation, and RF and Audio level meters.
- Balanced XLR audio output for Microphone or Line level signals and a 1/4 inch line level jack to match any application.
- Fourth generation Posi-Phase™ diversity and advanced audio circuits provide maximum range and professional sound quality.
- Includes single and dual rack mount hardware with front mount antenna cables.
- “Smart” battery circuit means there is no way to put the battery in wrong.
- Tone Code plus Amplitude squelch with one button on/off.
- Three year warranty.

The FMR-500 brings professional features and performance to the small and medium sized wireless microphone installs that are so popular today. One touch Auto ClearScan™ selects the clearest channel in the clearest group of compatible channels in just seconds with the push of one button. The new HT-500 programmable handheld microphone transmitter is the smallest Telex has ever built and it has a screw-on battery cover that also hides the controls, and an LCD display. Choose the EV® N/D 767a dynamic microphone or the EV RE410 condenser microphone for high quality vocal performance. The WT-500 bodypack transmitter features a cell phone style beltclip, dual latching battery door, and a TA4 connector with a wide variety of lapel and headworn microphone options. The combination of sound and RF features are hard to beat at twice the price.

Optional Accessories

ACCESSORIES AND PARTS	MODEL #	ORDER #
EV Omnidirectional Lapel Microphone	OLM10	OLM10
EV Unidirectional Lapel Microphone	UML21	ULM21
Premium Omnidirectional Lapel Microphone	ELM-22S	70926001
EV Premium Lapel/Instrument Unidirectional Microphone	RE92TX	RE92TX
Presenter's Headworn Microphone	HM2	HM2
Singer's Headworn Microphone	HM7	HM7
Hard Shell, Foam lined Road Case	RC-RE2	7185800
Foam Windscreen for Handheld	379-1	3792031
Handheld Transmitter Color Kit	HHCK	7185700
Bodypack Pouch	WP-1000	879553
Guitar Cord	MAC-G3	879706
1/4 Wave Rx Antenna, 600-746 MHz (A/B)	ANU-14	879010
1/2 Wave Rx Antenna, (All Bands), (680-870 MHz)	FA-500	860031
1/2 Wave Antenna Mounting Bracket WITH 10' of Coax	AB-2	71138000
Antenna/Power Distribution, (520-760 MHz) (A/B)	UAD-2	71253000
Termination Plug For UAD-2	TP-2	650095
Directional Rx Antenna, (450-900MHz) (A/B)	ALP-450	71147000
	CXU-25	71151025
Low Loss Coaxial Antenna Cable	CXU-50	71151050
(25, 50, 75, 100 Ft with TNC Connectors)	CXU-75	71151075
	CXU-100	71151100

SYSTEM CONFIGURATIONS AND COMPONENTS

MODEL	CATALOG NUMBER	DESCRIPTION	MODEL	CATALOG NUMBER	DESCRIPTION
FMR-500L	71891x1	FMR-500 Bodypack System includes: • FMR-500 Agile UHF receiver • WT-500 bodypack transmitter • ELM-22 micromini omni lav mic • Rack mount hardware for single/dual mount • 2 1/4 wave antennas • Wall pack power supply	FMR-500	71893x1	UHF synthesized wireless mic receiver with PosiPhase Diversity, adjustable amplitude squelch, 1112 selectable channels, balanced XLR output; 1/4" adjustable line output, rack mount hardware, 1/4 wave antennas and power supply.
FMR-500WT	71892x1	Bodypack system same as above with no mic	WT-500	71894x1	UHF synthesized wireless bodypack transmitter with 1112 selectable channels, on/off, battery low led indicator and TA-4M mic connector, Mic/Guitar Software switch. Operates on a single 9V battery.
FMR-500HD	71889x1	FMR-500 Handheld System includes: • FMR-500 Agile UHF receiver • HT-500D EV 767a NDYM handheld transmitter • Rack mount hardware for single/dual mount • 2 1/4 wave antennas • Wall pack power supply	HT-500D	71895x1	UHF synthesized wireless handheld transmitter with 1112 selectable channels, on/off switch, and the EV NDYM 767a dynamic mic element with VOB. Operates on a single 9V battery.
FMR-500HC	71890x1	FMR-500 Handheld System includes: • FMR-500 Agile UHF receiver • HT-500C EV RE410 Condenser handheld transmitter • Rack mount hardware for single/dual mount • 2 1/4 wave antennas • Wall pack power supply	HT-500C	71896x1	UHF synthesized wireless handheld transmitter with 1112 selectable channels, on/off switch, and the EV RE410 condenser mic element. Operates on a single 9V battery.
FMR-500H/L	71888x1	FMR-500 Combo System includes: • FMR-500 Agile UHF receiver • HT-500C EV 767a Dynamic handheld transmitter • WT-500 bodypack transmitter • ELM-22S Omni Lapel microphone • Rack mount hardware for single/dual mount • 2 1/4 wave antennas • Wall pack power supply			

Use 1 for A Band and 2 for B Band in place of the X in the part number
A Band 648 - 676MHz (TV Channels 43 - 48)
B Band 696 - 724MHz (TV Channels 51 - 56)

Simply
Powerful