


Middle Atlantic Products

EXCEPTIONAL SUPPORT & PROTECTION™

C5 Series A/V Credenza Rack



EIA/TIA Compliant

Unique Design with Integrated Thermal Management Simplifies System Design and Minimize Delays

Features

- Fully assembled frames ship separately from furniture-grade panels
- Integrated, thermostatically controlled cooling quietly protects active electronics
- Available in 1, 2 and 3 bay models
- Unique design allows panels to be replaced quickly and easily
- Available in Contemporary and Traditional Styles
- 12 standard finishes to match all environments



Traditional Style



Contemporary Style



Architects' and Engineers' Specifications

EIA Compliant 19" A/V Credenza Rack shall be Middle Atlantic Products model # C5F_ (120V) or IC5F_ (220V) (refer to chart). Credenza Rack shall be available in 1, 2 or 3 bay configurations. Overall dimensions shall be 31-1/2" H x ___ W" x 27-1/2" D (refer to chart). Usable height shall be 14 rackspaces per bay. Rack frames shall ship fully assembled and be constructed of steel. Total weight capacity with Middle Atlantic finishing kit shall be 600 lbs., with a maximum of 350 lbs. to be placed on the top surface. Total weight capacity of the frame only (must take into account the weight of the customer supplied finishing kit) shall be 800 lbs. Each rack bay shall come equipped with 2 pairs of 11-gauge steel rackrail tapped with 10-32 mounting holes in universal EIA spacing, black e-coat finish and numbered rackspaces. Credenza rack shall have two 59 CFM free air rated (138 CFM free air rated Total) thermostatically controlled cooling fans per bay and provide ___ CFM installed and produce ___ dBA (refer to chart). Thermostatically controlled fans shall be powered on at 87°F and turn off at 85°F. Credenza rack shall have venting on the top and bottom of the face of the rack. Credenza rack shall include two adjustable side mounted horizontal lacing bars for enhanced cable management. Credenza rack shall have a steel rear access panel. Credenza rack shall be finished in a durable black powder coat. Top, sides, front doors and kick plate shall ship separately from rack frame and be model # C5K_ - _ - _ (refer to chart), with large format monitor mount shall be model # C5K_ -MM1- _ - _ (refer to chart). Top shall be constructed of 1-1/8" thick triple refined MDF, sides shall be constructed of 1" thick triple refined MDF, front doors shall be constructed of 3/4" thick triple refined MDF, and kick plate shall be constructed of 1/2" thick triple refined MDF. Top, sides and front doors shall be available

in a traditional or contemporary style. Front doors shall be solid or plexi. Top, sides and front doors shall be available in a Wenge, Dark Cherry, Dark Pecan, Ebony Ash, Aged Cherry, Honey Maple, Light Walnut, Maple, Shark Gray, Pepperstone, Graystone or Darkstone RTF thermolaminate finish. Credenza rack shall include 4 fine floor casters. Credenza rack shall be GREENGUARD Indoor Air Quality Certified for Children and Schools. Credenza rack shall be RoHS EU Directive 2002/95/EC compliant. Credenza rack shall be manufactured by an ISO 9001 and ISO 14001 registered company. Credenza Rack frame shall be warranted to be free from defects in material or workmanship under normal use and conditions for the lifetime of the rack, fans shall be warranted for a period of three years and wood panels shall be warranted for a period of 7 years.

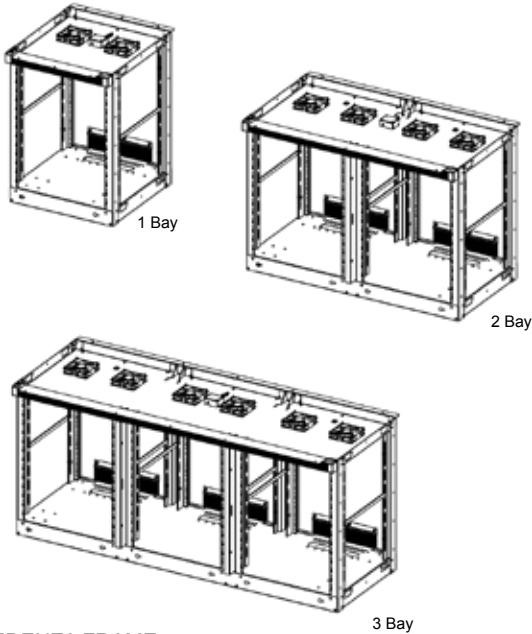
OPTIONS

- Extender kit shall add 2.93" useable depth and be model # C5-EXT
- Shelf System insert shall be model # C5-SH-SYS
- Adjustable rail Bracket shall be model # C5-ARB
- Cable Grommet shall be model # C5-CG
- Flip up side shelf shall be model # C5-SDSH-___ (C for Contemporary, T for traditional, specify color)
- Waste and Recycle Bin Insert shall be model # C5-WB
- Millwork Kit, for which includes specifications and hardware needed to create a customized finishing kit shall be model # C5-MK_ (1, 2 or 3, determined by the number of bays in C5 series credenza)

CUSTOMIZABLE SPECIFICATION CLIPS AVAILABLE AT MIDDLEATLANTIC.COM

C5 Frame basic dimensions

All dimensions in inches unless otherwise noted [All dimensions in brackets are in millimeters]



C5 CREDENZA FRAME

Part# 120V	Part# 220V	"A" Width	dBA*	Fan Free Air Rated CFM	Actual Installed CFM
C5F1	IC5F1	20.90 [531]	32	118	43
C5F2	IC5F2	43.04 [1093]	34	236	82
C5F3	IC5F3	65.19 [1656]	35	354	133

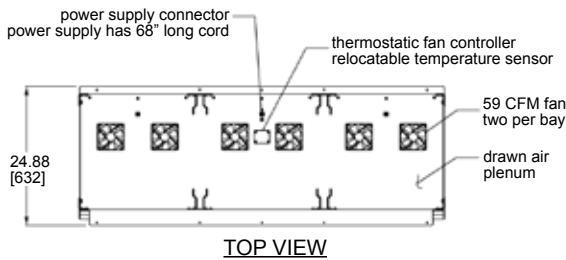
* Measured at one meter

COOLING CAPABILITIES

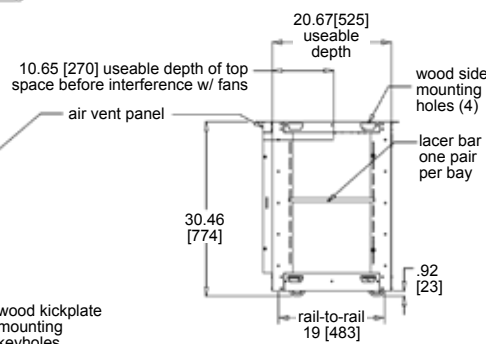
Thermal Load	Temp Change (°F) C5F1/IC5F1	Temp Change (°F) C5F2/IC5F2	Temp Change (°F) C5F3/IC5F3
0.8A - 100W	3.9	2.4	1.9
1.7A - 200W	7.7	4.7	3.7
2.5A - 300W	11.6	7.1	5.6
3.3A - 400W	15.4	9.5	7.4
4.2A - 500W	19.3	11.9	9.3
5.0A - 600W	23.2	14.2	11.1
5.8A - 700W	27.0	16.6	13.0
6.7A - 800W	30.9	19.0	14.8
7.5A - 900W	34.7	21.4	16.7

NOTES

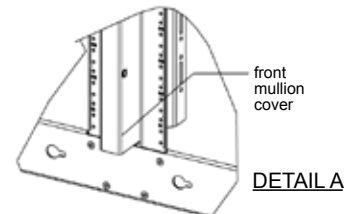
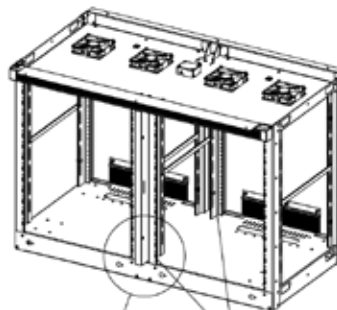
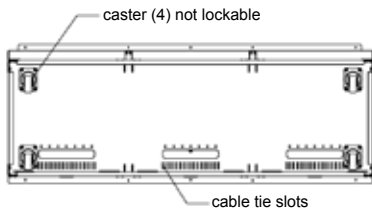
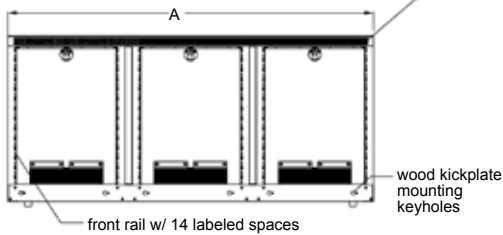
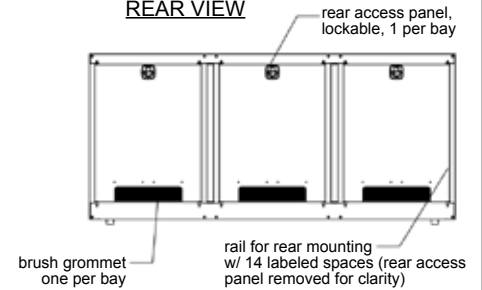
- Amperage is based on ACTUAL amperage ratings, not on nameplate ratings, which have been proven to vary significantly
- Ideal maximum temperature change is 15°F based on an ambient room temperature of 70°F
- This data is made assuming that the Credenza is placed against a wall in a room



SIDE VIEW



REAR VIEW

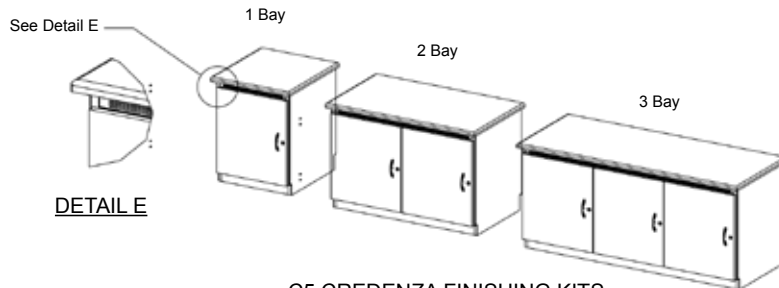


pairs of mullions
1 pair for 2 bay
2 pair for 3 bay



C5 Finishing Kit basic dimensions

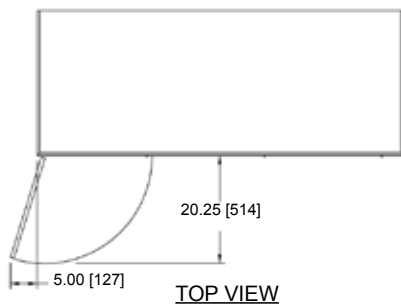
All dimensions in inches unless otherwise noted [All dimensions in brackets are in millimeters]



C5 CREDENZA FINISHING KITS

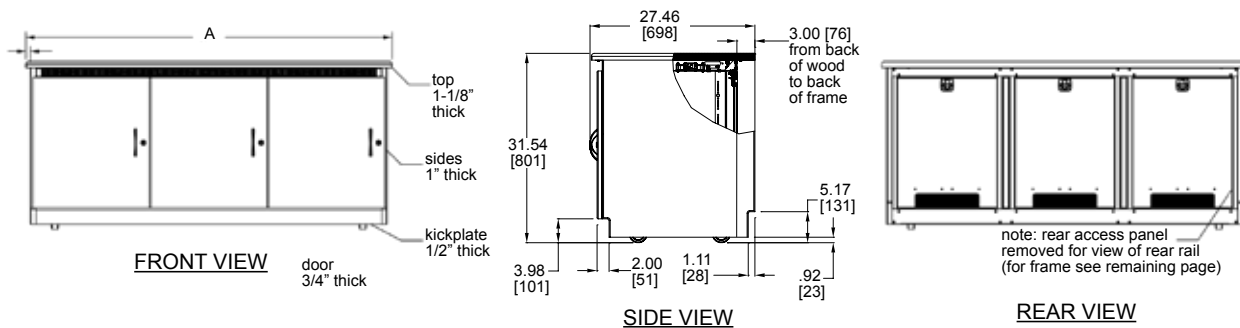
(Contemporary style with solid doors shown)

Thermolaminated MDF see parts for thickness



TOP VIEW

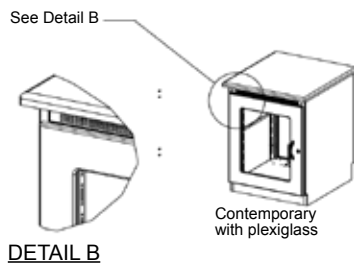
Finishing Kit Prefix	"A" Width
C5K1-XXX	24.65 [1751]
C5K2-XXX	46.80 [1188]
C5K3-XXX	68.94 [1751]



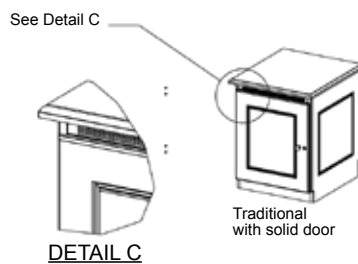
FRONT VIEW

SIDE VIEW

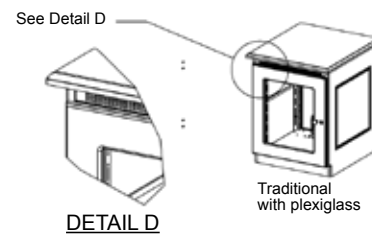
REAR VIEW



DETAIL B



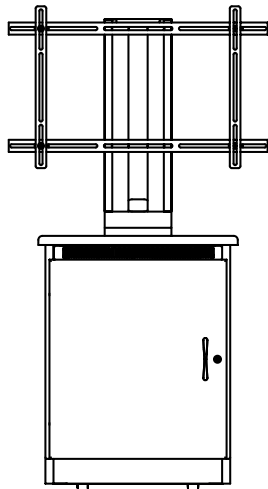
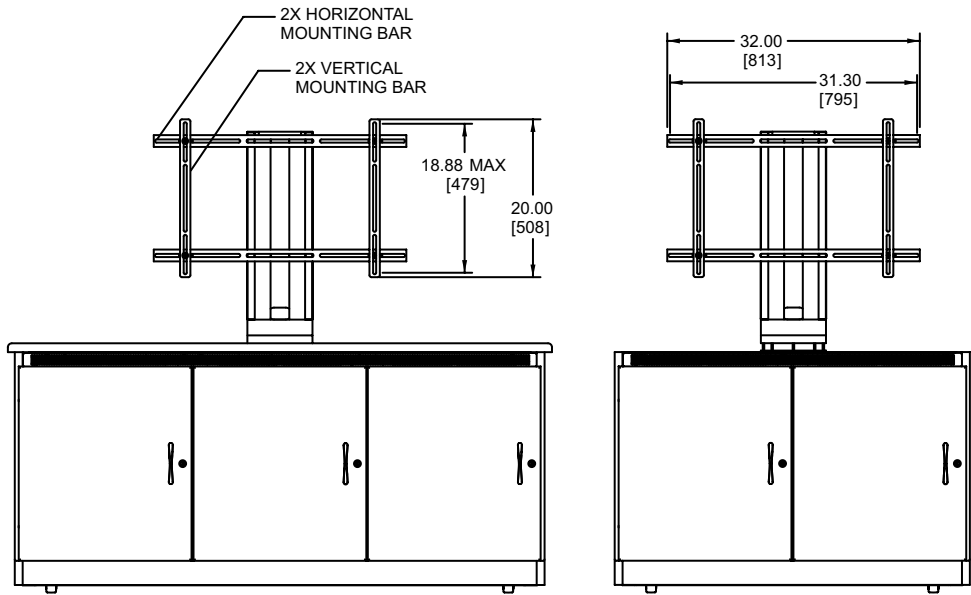
DETAIL C



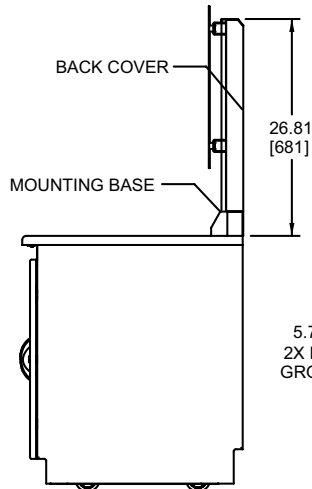
DETAIL D

C5 Large Format Monitor Mount basic dimensions

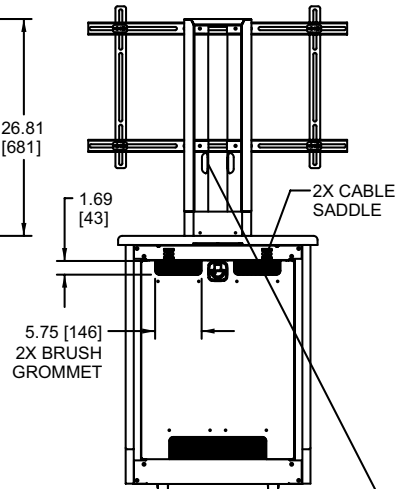
All dimensions in inches unless otherwise noted [All dimensions in brackets are in millimeters]



FRONT VIEW

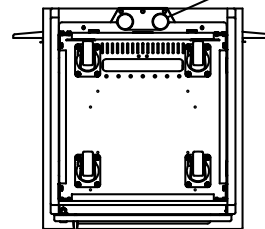


LEFT SIDE VIEW



BACK VIEW W/ COVER
CUTAWAY FOR CLARITY

CABLES ROUTE THRU TUBE HOLE AND
EXIT OUT UNDERSIDE OF WOOD TOP



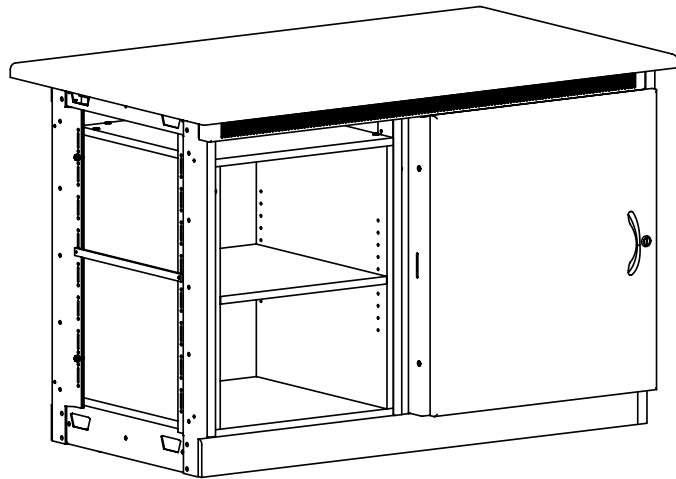
BOTTOM VIEW

Monitor Mount Specification Information:
 Display Range: 32" to 50"
 Weight Capacity: 160 lbs
 Fits VESA Mounting Patterns in 100mm increments from: 200mm to 700mm

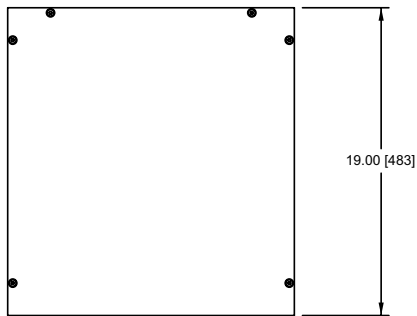


C5 Shelf Insert basic dimensions

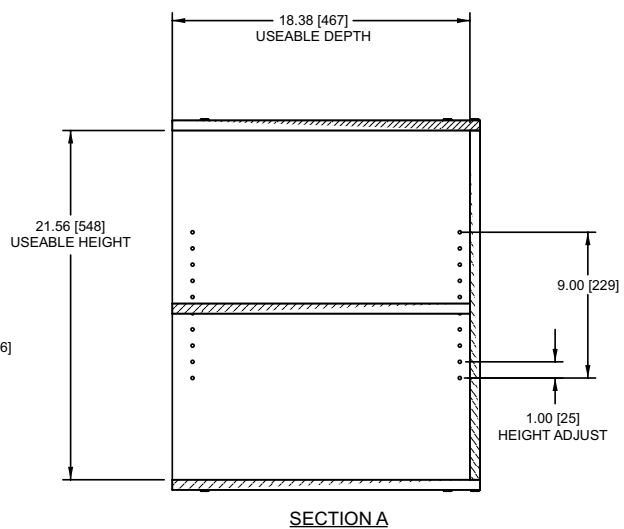
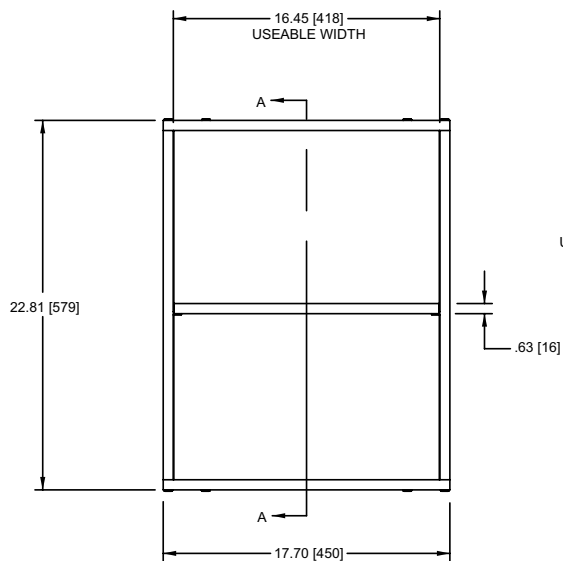
All dimensions in inches unless otherwise noted [All dimensions in brackets are in millimeters]



SHELF SHOWN INSTALLED IN C5 CREDEZA
W/ SIDE AND DOOR REMOVED FOR CLARITY

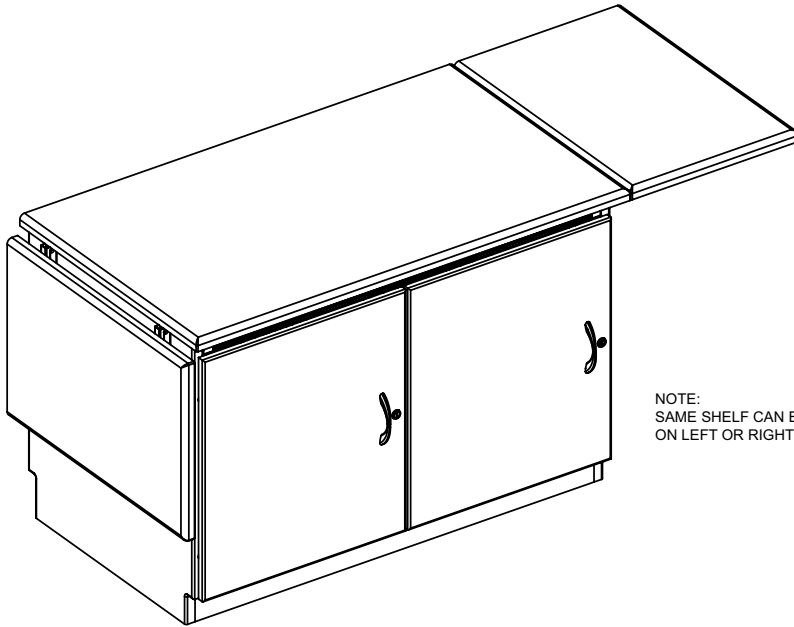


NOTE:
PRE-ASSEMBLY REQUIRED



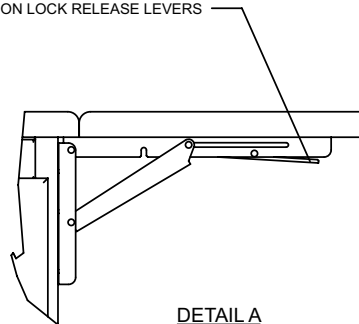
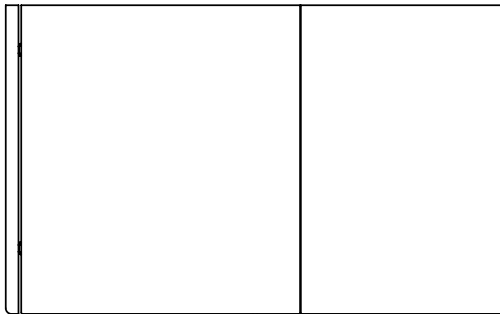
C5 Flip-up Side Shelf basic dimensions

All dimensions in inches unless otherwise noted [All dimensions in brackets are in millimeters]

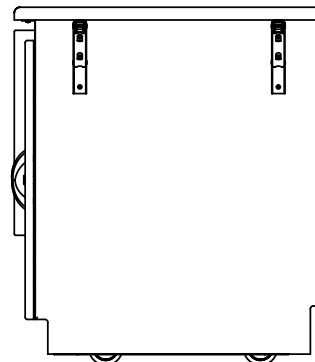
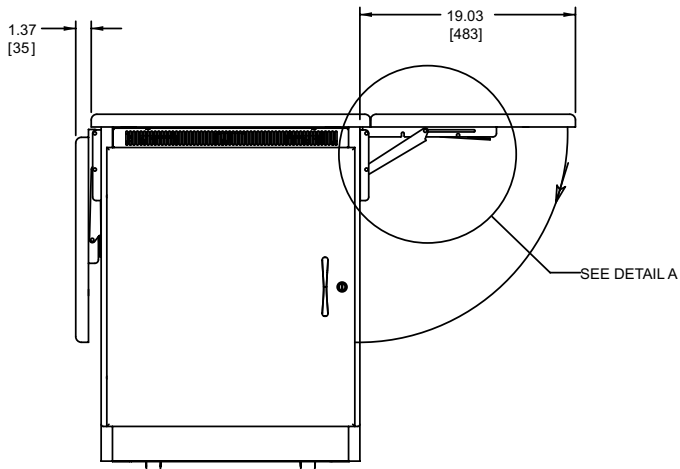


NOTE:
SAME SHELF CAN BE LOCATED
ON LEFT OR RIGHT SIDE

TO CLOSE SHELF - LIFT UP ON LOCK RELEASE LEVERS

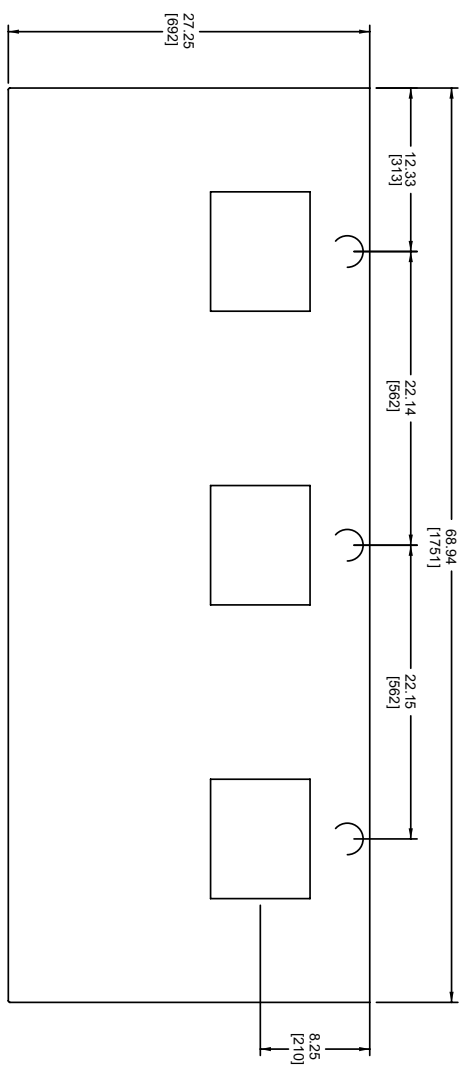
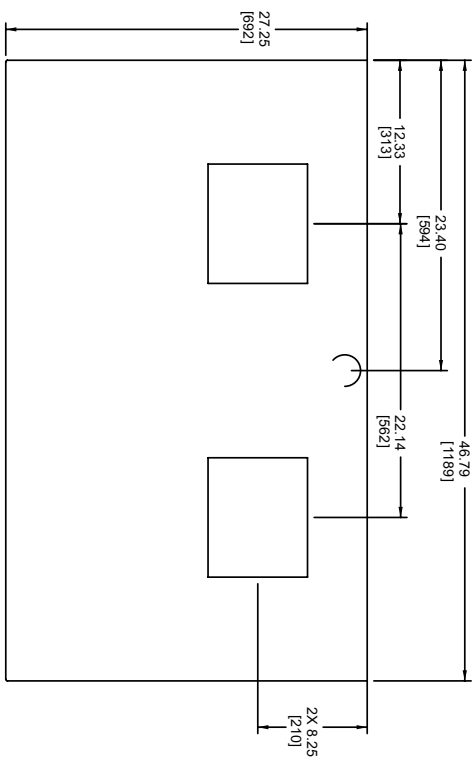
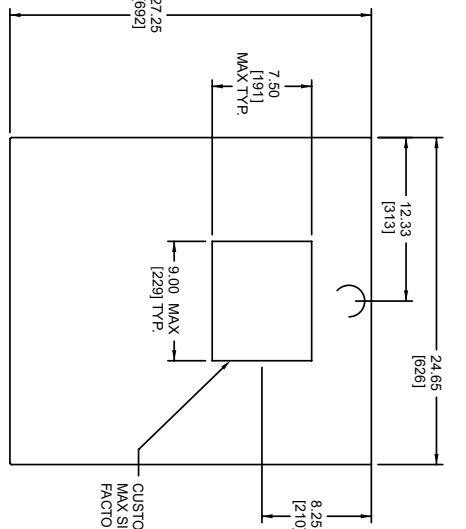


DETAIL A
FOLDING SUPPORT BRACKET

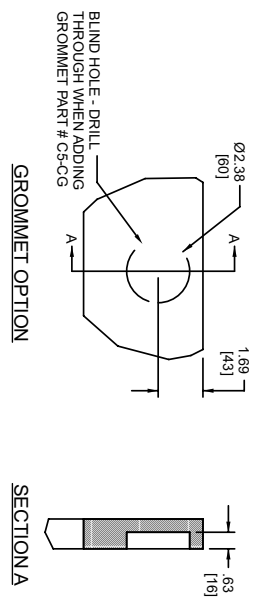


C5 Cable Grommet and Tabletop Box basic dimensions

All dimensions in inches unless otherwise noted [All dimensions in brackets are in millimeters]

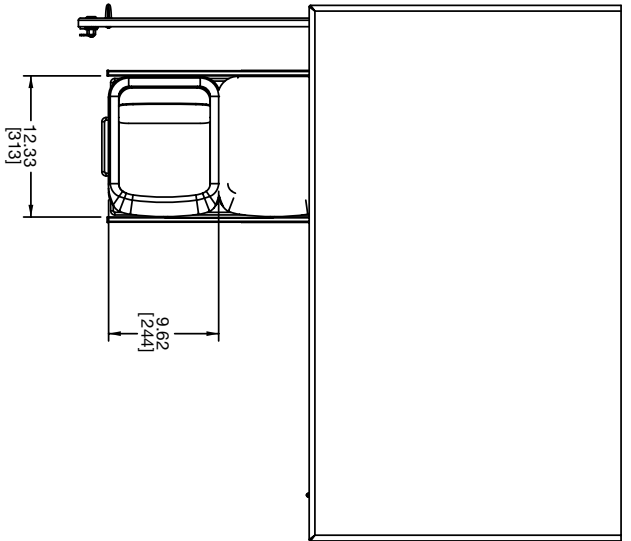


NOTE: WHEN ORDERING WITH MONITOR MOUNT, CABLE GROMMETS ARE ONLY AVAILABLE ON 3 BAY ON SIDE POSITIONS (NOT IN THE CENTER POSITION)

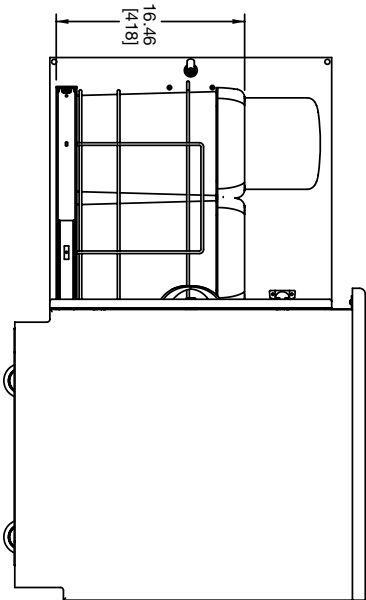
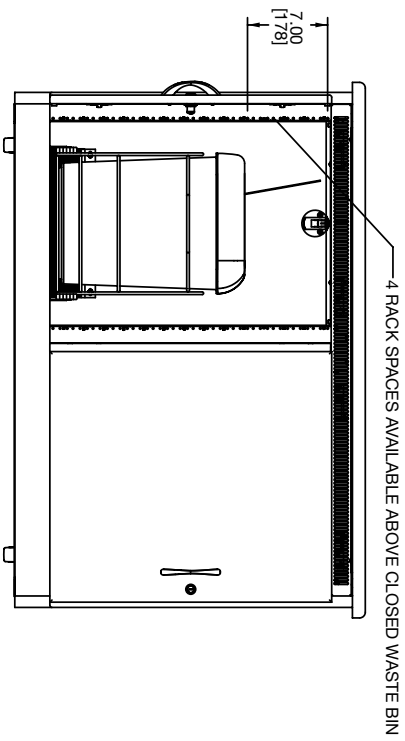
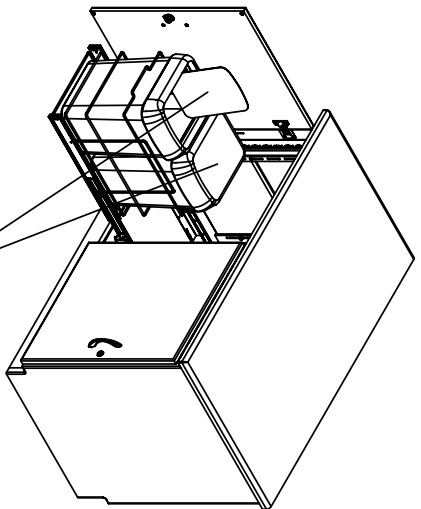


C5 Waste and Recycle Bin Basic Dimensions

All dimensions in inches unless otherwise noted [All dimensions in brackets are in millimeters]



TWO CONTOURED WASTE BINS WITH FLIP UP LIDS -
COLOR CODED BLUE AND TAN FOR RECYCLING EASE
22 LITER CAPACITY EACH

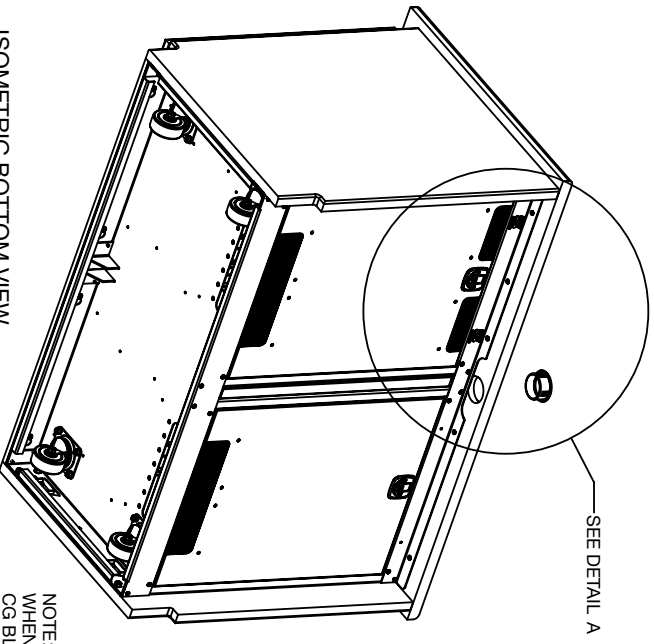
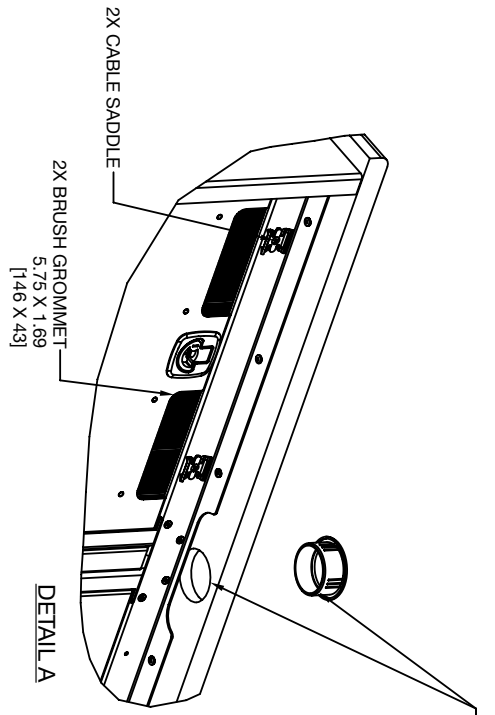


NOTE
WASTE BIN CAN BE INSTALLED IN ANY BAY IN ALL C5 CREDENZAS



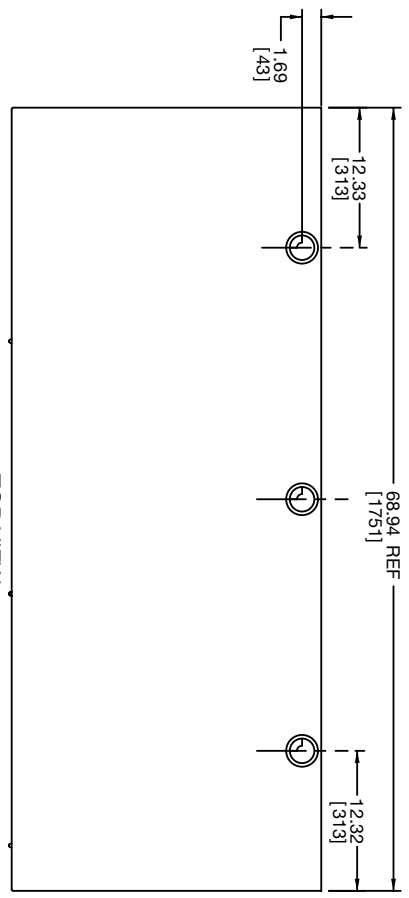
C5 Cable Grommet basic dimensions

All dimensions in inches unless otherwise noted [All dimensions in brackets are in millimeters]

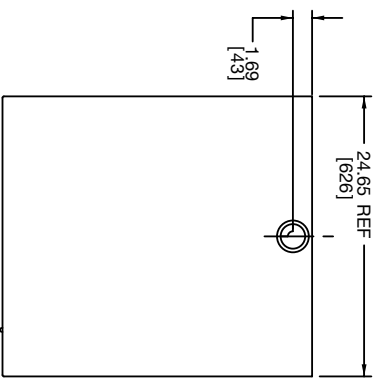


ISOMETRIC BOTTOM VIEW
2 BAY SHOWN

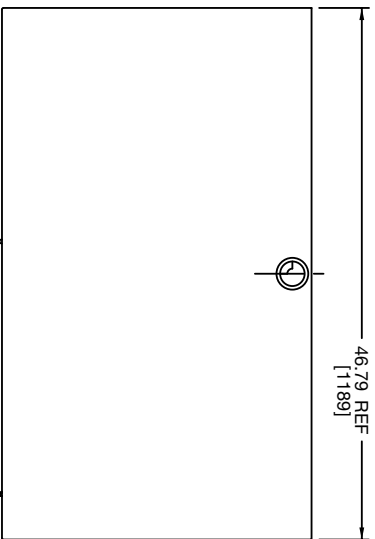
NOTE:
WHEN OPTIONAL MONITOR MOUNT TOP IS USED
CG BLIND HOLE IS ELIMINATED WHERE MONITOR IS PLACED.



TOP VIEW
3 BAY



TOP VIEW
1 BAY



TOP VIEW
2 BAY



C5 Extender Kit basic dimensions

All dimensions in inches unless otherwise noted [All dimensions in brackets are in millimeters]

