

# **ALLEN&HEATH**

## Parts identification sheet

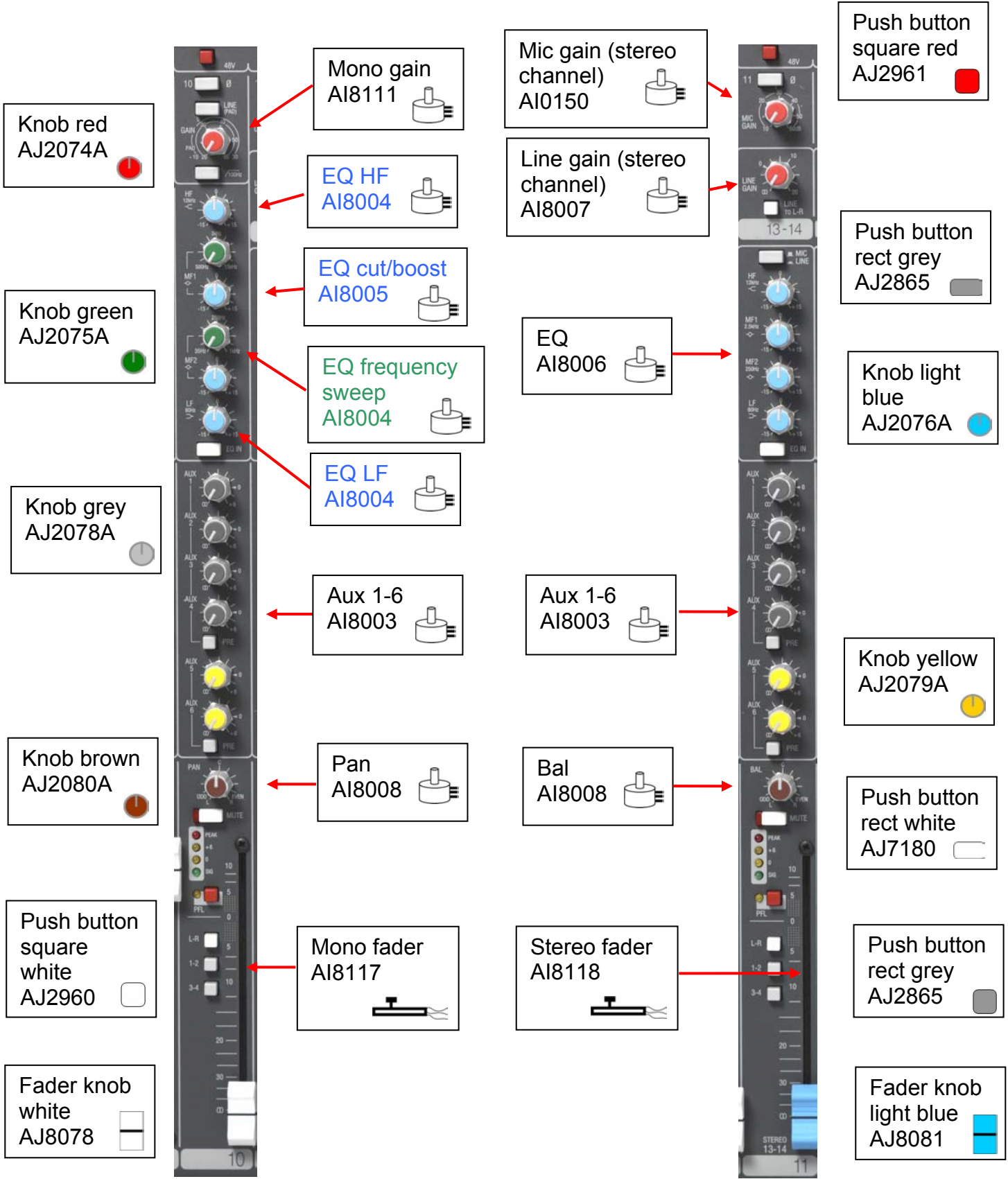
# **GL2200**

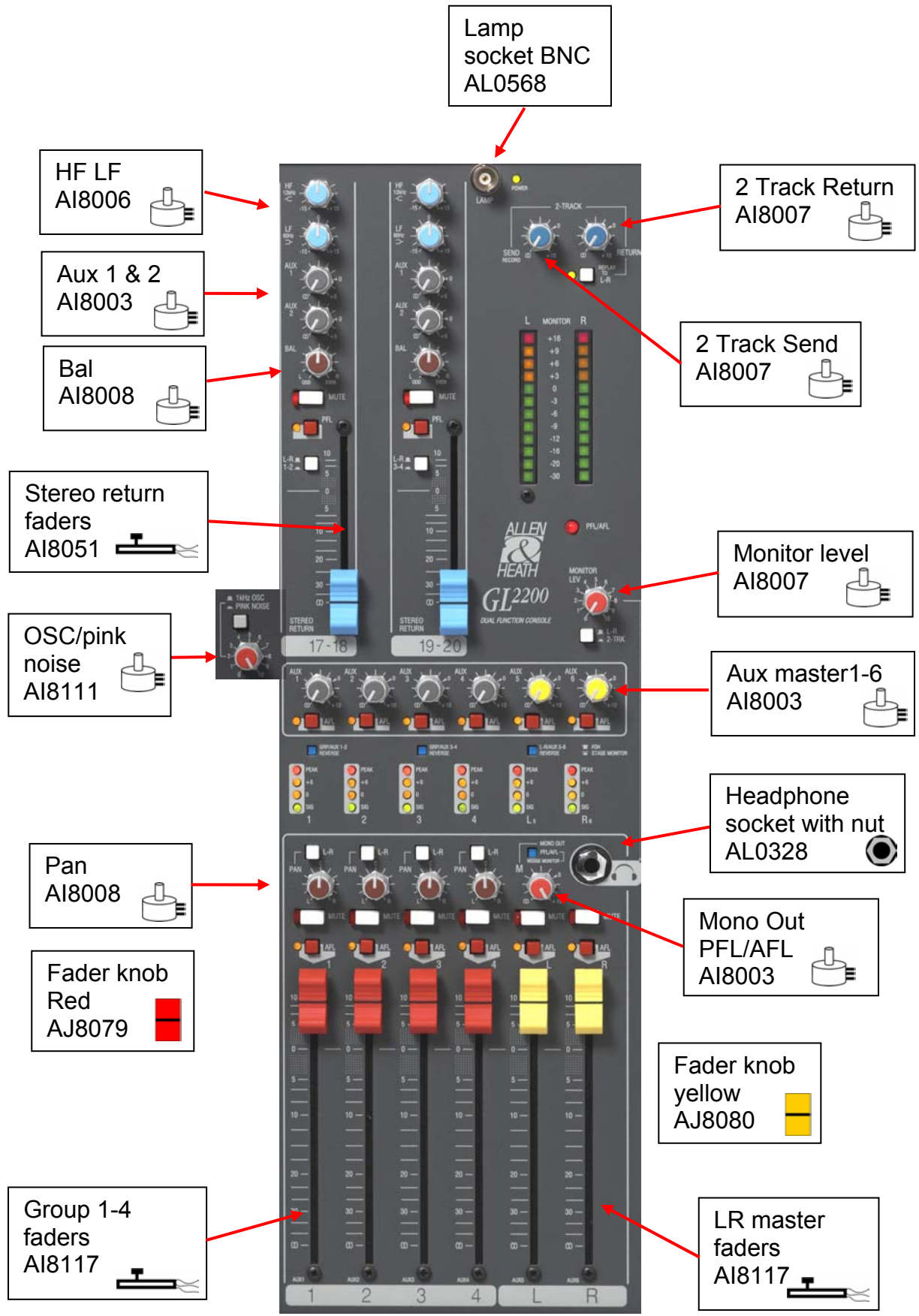
### How to order parts

Parts must be ordered from our distributor in your territory. A list of international distributors can be viewed at <http://www.allen-heath.com/UK/distributors.asp>

UK parts must be ordered through an appointed A&H dealer or service centre. A list of UK service centres can be viewed at [http://www.allen-heath.com/UK/service\\_centres.asp](http://www.allen-heath.com/UK/service_centres.asp)

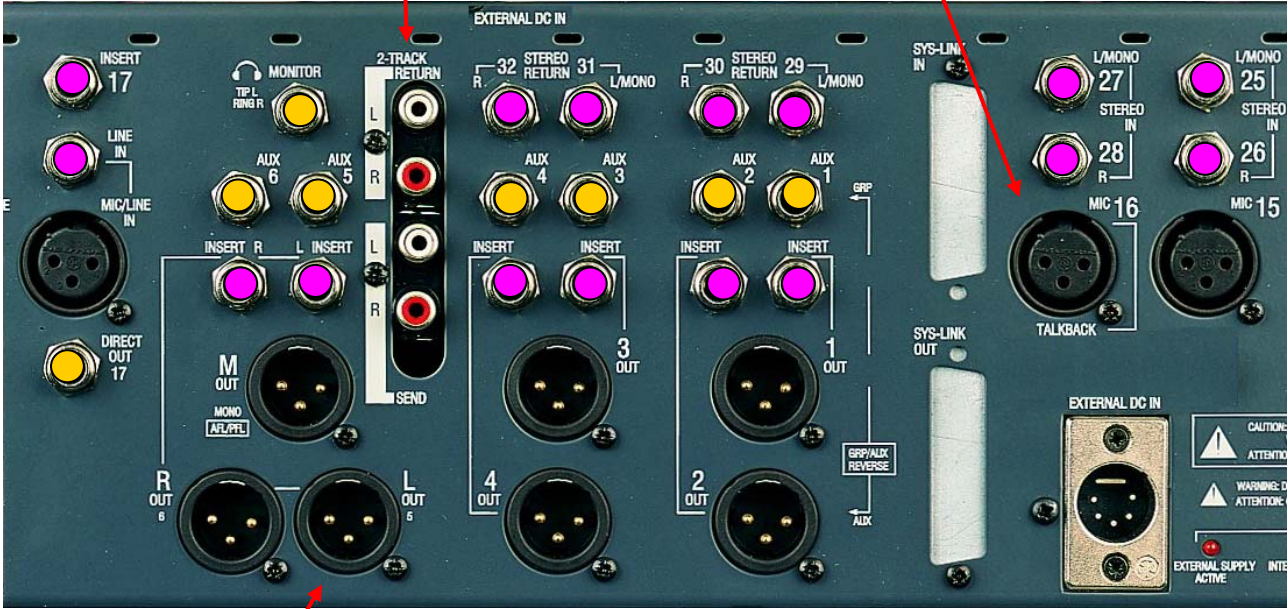
**POTS FADERS & KNOBS:**





2 Track RCA phono  
Send Return  
AL0577

XLR female  
AL2410



XLR male  
AL2411

External DC IN  
AL0017

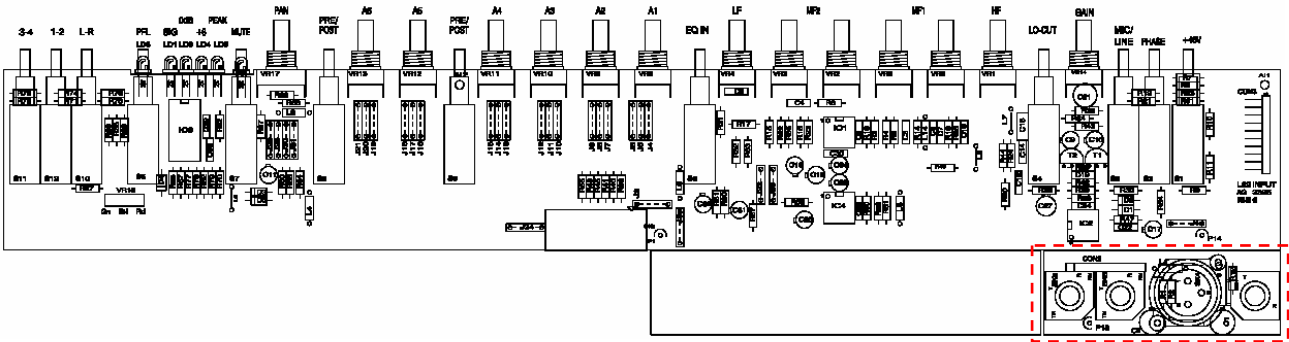
**AL3407** ●

Direct out  
Aux outputs  
Monitor

**AL3410** ●

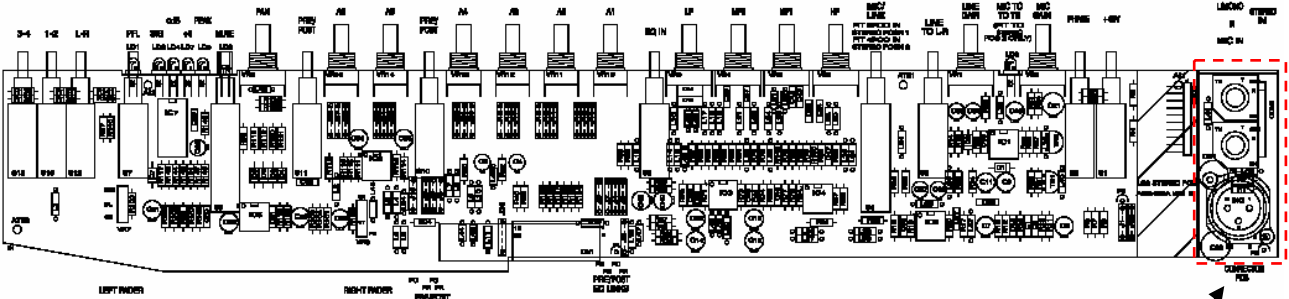
Insert  
Line input  
Stereo inputs

**INTERIOR PARTS:**



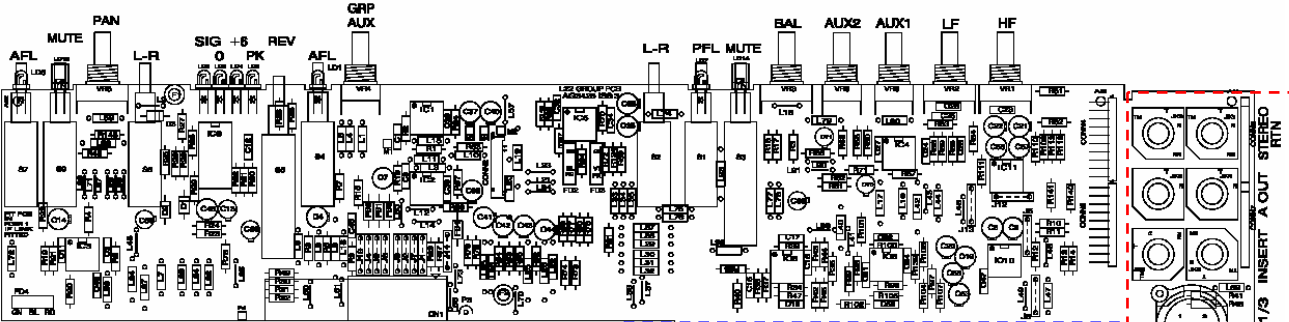
**Mono input and connector  
002-412**

**Connector**



**Stereo input and connector  
002-442**

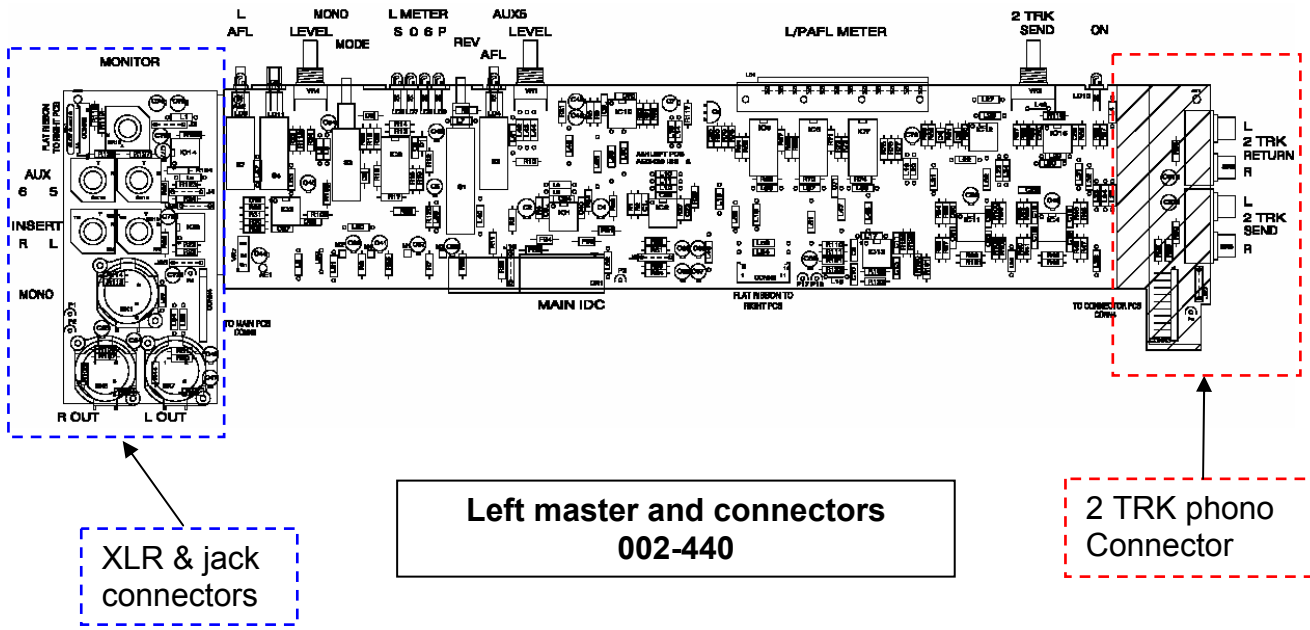
**Connector**



**Group PCB and  
connector  
002-439**

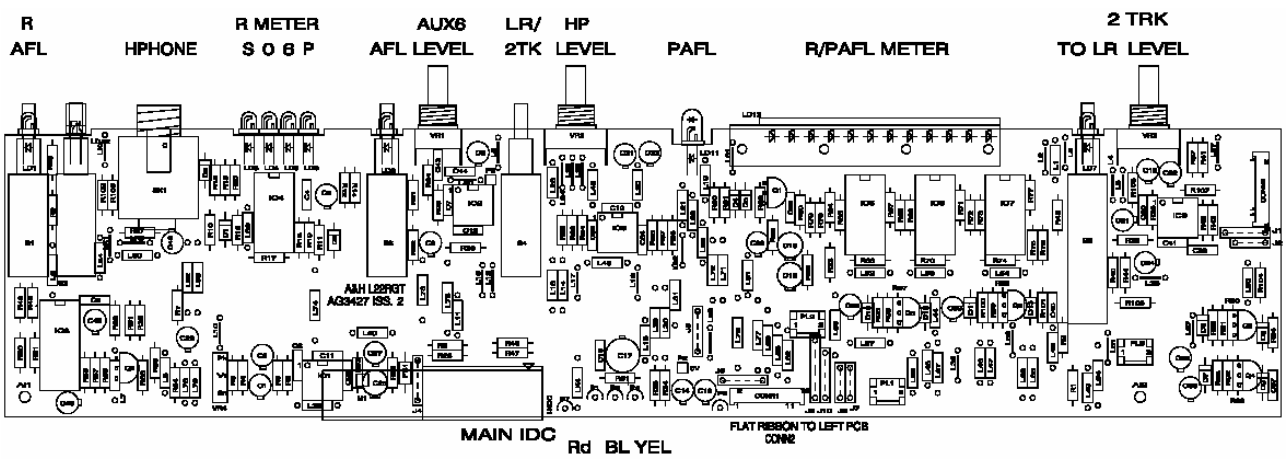
**Group 2 & 4 break  
off from 002-439**

**Connector**

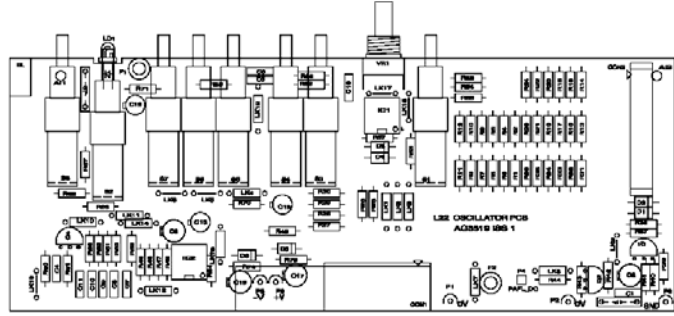


**Left master and connectors  
002-440**

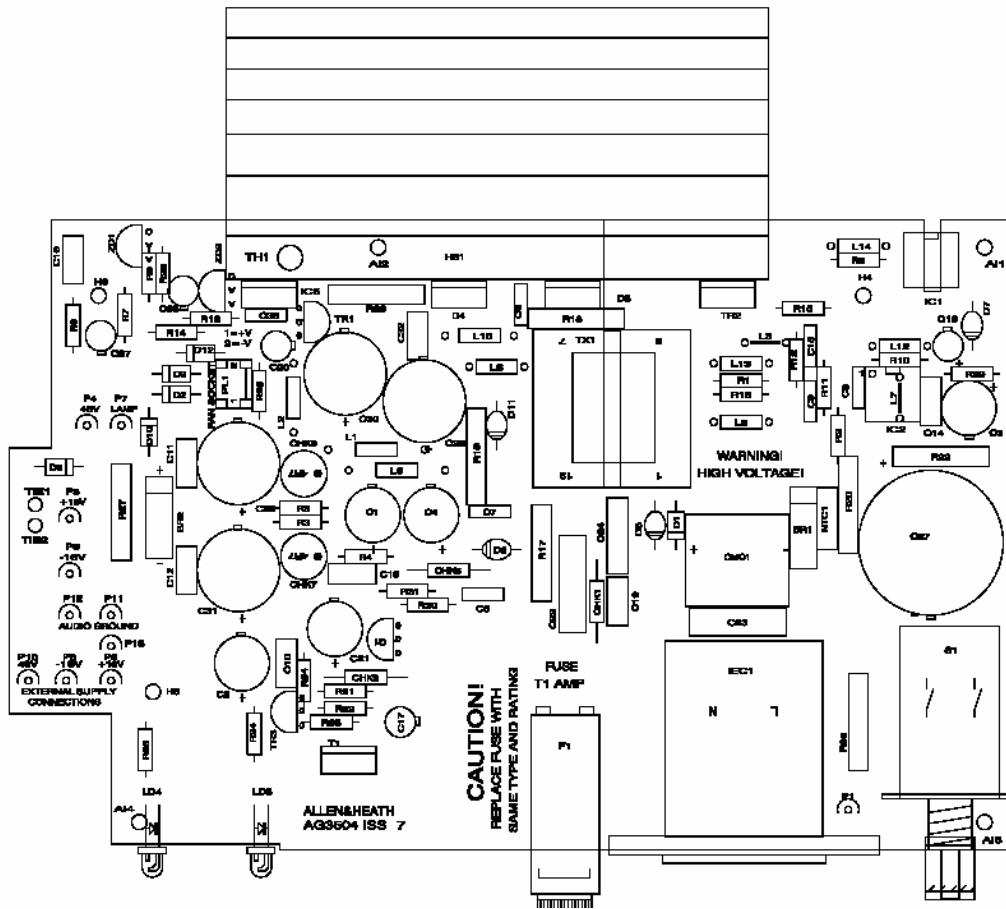
**2 TRK phono  
Connector**



**Right master  
002-441**



**Oscillator  
002-453**



**PSU**

**12 channel 002-456**  
**16 channel 002-456**  
**24 channel 002-457**  
**32 channel 002-457**

**HARNESSES:**

