

Retrofit Backbox for 8" speaker

Description:

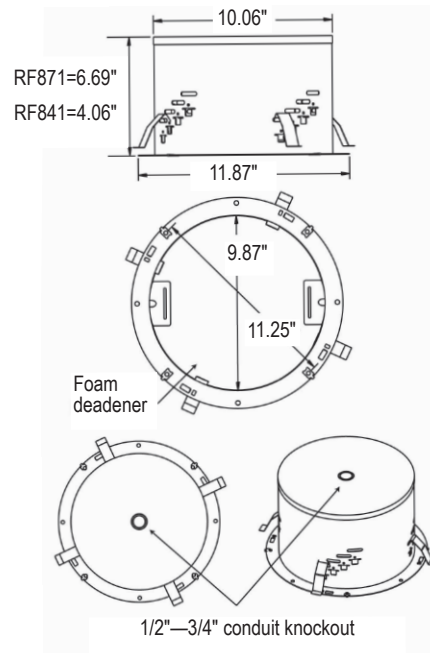
The RF-series of backboxes features adjustable tension brackets for room-side installation of an 8" speaker assembly into ceilings of various depths. To meet architectural requirements, the backbox will accept a variety of grilles with screw mount or torsion-type installation. Each backbox is furnished with four tension brackets made from 20-gauge spring steel to allow ceiling depth adjustment from 1/2" to 2". Tension brackets are secured from the inside using one screw each. Backbox has two welded torsion receptacles to mount a variety of 8" torsion grilles for a hardware-free look.

Features:

- 22-gauge welded steel
- Undercoated and lined with a foam deadener to eliminate acoustic and metallic resonance.
- 10.063" diameter
- Model RF871: 6.688"D (0.308 cu.in. volume)
- Model RF841: 4.063"D (0.187 cu.in. volume)
- Features screw holes or notches to mount to a tile bridge in suspended tile applications.
- Black powder epoxy finish

A&E Specifications:

The recessed backbox for 8" speaker drivers shall be Lowell Model _____. It shall be fabricated of 22-gauge steel, undercoated and lined with a foam deadener to eliminate acoustic and mechanical resonance. The backbox shall measure _____. It shall be furnished with one 1/2" - 3/4" knockout for conduit. It shall be finished in black powder epoxy and mount Lowell grille Model _____.



Compatible Components: (order separately)	
Grilles (screw):	A8AW, CS8H, LO8P, RS8AW, WB8, WB8H, WB86*
Grilles (torsion):**	CN-8M, CS-8W, WB-8T

* Grille WB86 will only mount 6.5" speaker model 6A40.

** Torsion grilles can accept a maximum weight of 3.5 lbs. (typically a speaker with 10 oz. magnet).

Model No.	Description	Diameter	Depth	Volume	For Speaker Size
RF871	Retrofit Backbox with tension bracket & torsion	10.063"	6.688"	0.308 cu.ft.	8"
RF841	Retrofit Backbox with tension bracket & torsion	10.063"	4.063"	0.187 cu.ft.	8"