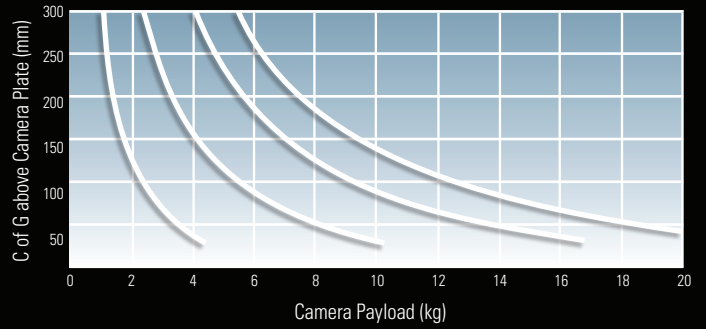


Compass 20 Fluid Head

The Compass 20 fluid head with 2-12kg payload range enables a large choice of cameras and camera configurations to be used. From HDV/ DVCAM to XDCAM and P2HD cameras the Compass 20 fluid head is one of the most versatile pan/tilt heads available. The Compass 20 incorporates the best pan and tilt fluid drag range in its class combined with a selectable counterbalance system. A quick release camera mounting system utilising the Euro mini camera plates allows it to integrate easily into existing camera support inventories.

Counterbalance Performance



Product Features

Replaceable tilt end rosette

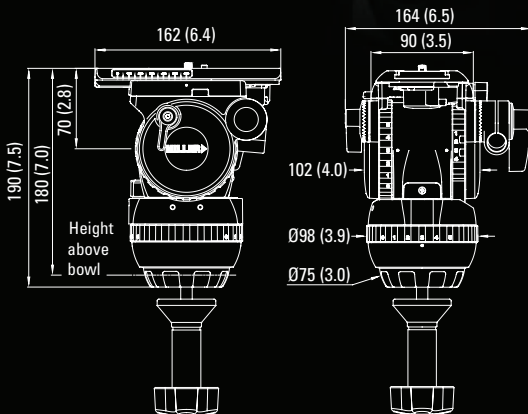
Selectable counterbalance system for payloads between 2-12kg

Readily accessible controls and illuminated bubble level

Quick release, 60mm sliding camera platform with mini Euro plate mounting

Superior pan/tilt locks utilising disc brakes

Five selectable positions of high performance drag plus a zero position



Product Specifications

| | |
|---------------------------|---|
| Product Cat# | 1036 |
| Product Name: | Compass 20 Fluid Head |
| Weight: | 2.7kg (5.95 lb) |
| Payload Range: | 2-12kgs (4-26 lb) |
| Pan Drag: | 5 selectable fluid drag positions + zero |
| Pan Range: | 360 degrees |
| Pan Lock: | Calliper disc brake system |
| Tilt Drag: | 5 selectable fluid drag positions + zero |
| Tilt Angle: | +90/-75 degrees |
| Tilt Lock: | Caliper disc brake system |
| Counterbalance: | 4 selectable positions |
| Camera Platform: | Sliding Camera Platform with quick release Mini Euro Plate with 1/4" & pin and 1/4" and 3/8" screws |
| Sliding Range: | 60mm |
| Height Above Bowl: | 180 mm |
| Mounting Base: | 75mm Ball Levelling |
| Illumination: | Bubble level |
| Temperature Range: | -40°C to +65°C |
| Pan Handle: | Fixed length |

#1840

| | |
|--------------------------------|--------|
| Components: | |
| Compass 20 Fluid Head | (1036) |
| 2 Stage 75mm Alloy Tripod | (420) |
| Ground Spreader | (411) |
| Pan Handle with Handle Carrier | (679) |
| Tripod Shoulder Strap | (554) |
| Softcase | (876) |

| | |
|------------------------|----------------------------|
| Specifications: | |
| Weight*: | 8.0 kg (17.6 lb) |
| Payload range: | 2-12 kg (4.4-26.5 lb) |
| Transport length: | 870 mm (34.3 in) |
| Height range: | 570-1740 mm (22.4-68.5 in) |



#1841

| | |
|--------------------------------|--------|
| Components: | |
| Compass 20 Fluid Head | (1036) |
| 2 Stage 75mm Alloy Tripod | (420) |
| Above Ground Spreader | (508) |
| ENG/EFP Tripod Rubber Feet | (550) |
| Pan Handle with Handle Carrier | (679) |
| Tripod Shoulder Strap | (554) |
| Softcase | (876) |

| | |
|------------------------|----------------------------|
| Specifications: | |
| Weight*: | 8.0 kg (17.6 lb) |
| Payload range: | 2-12 kg (4.4-26.5 lb) |
| Transport length: | 870 mm (34.3 in) |
| Height range: | 570-1740 mm (22.4-68.5 in) |



#1844

| | |
|--------------------------------|--------|
| Components: | |
| Compass 20 Fluid Head | (1036) |
| Solo DV 2 Stage Alloy Tripod | (1630) |
| Pan Handle with Handle Carrier | (679) |
| Solo Shoulder Strap | (1520) |
| Softcase | (876) |

| | |
|------------------------|----------------------------|
| Specifications: | |
| Weight*: | 7.5 kg (16.5 lb) |
| Payload range: | 2-12 kg (4.4-26.5 lb) |
| Transport length: | 880 mm (34.6 in) |
| Height range: | 414-1805 mm (16.3-71.1 in) |



#1846

| | |
|-------------------------------------|--------|
| Components: | |
| Compass 20 Fluid Head | (1036) |
| Solo DV 2 Stage Carbon Fibre Tripod | (1501) |
| Pan Handle with Handle Carrier | (679) |
| Solo Shoulder Strap | (1520) |
| Softcase | (876) |

| | |
|------------------------|----------------------------|
| Specifications: | |
| Weight*: | 6.9 kg (15.2 lb) |
| Payload range: | 2-12 kg (4.4-26.5 lb) |
| Transport length: | 874 mm (34.4 in) |
| Height range: | 414-1794 mm (16.3-70.6 in) |



#2030

| | |
|-------------------------------------|--------|
| Components: | |
| Compass 20 Fluid Head | (1036) |
| Solo DV 3 Stage Carbon Fibre Tripod | (2001) |
| Pan Handle with Handle Carrier | (679) |
| Solo Shoulder Strap | (1520) |
| Softcase | (876) |

| | |
|------------------------|----------------------------|
| Specifications: | |
| Weight*: | 7.4 kg (16.3 lb) |
| Payload range: | 2-12 kg (4.4-26.5 lb) |
| Transport length: | 838 mm (33.0 in) |
| Height range: | 400-2050 mm (15.7-80.7 in) |



*Weight includes softcase