

Microphone Floor Box

Description

Lowell MO-series floor boxes are easy to install, heavy-duty microphone receptacle/floor box assemblies with a solid brass lid. Standard 4" x 4" octagonal box includes leveling and height-adjustment screws to allow precise positioning and placement. Units are available with a variety of pre-punched cutouts for industry standard microphone connectors or with standard connectors factory installed (see illustrations).

Features

- Models available with punches or factory-installed connectors.
- Solid brass lid.
- Internal height adjustment screws for precise positioning.

Optional Accessory (order separately)

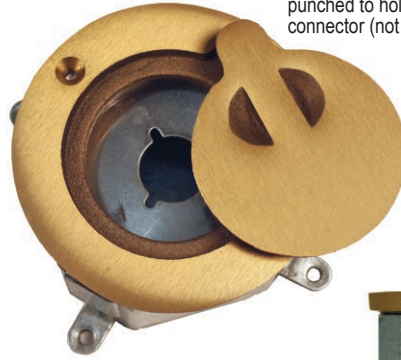
- **CTR carpet trim ring:** solid brass ring designed to finish the installation when the floor box is used in a carpeted area.

A & E Specifications

Microphone floor receptacle shall be Lowell Model _____ (MO, with a 1/4" pilot hole drilled in the bottom to facilitate connector mounting, MO-1, punched to mount one (1) C3F or C3M connector; MO-1-C3F with one (1) C3F connector factory mounted; or MO-3-2D3F with two (2) D3F connectors factory mounted). The floor receptacle shall be constructed with a solid brass lid. The floor receptacle shall incorporate a standard 4" x 4" galvanized octagon box with leveling and height adjustment screws for precise placement.

Optional brass carpet trim ring shall be Lowell Model CTR.

Model No. MO-1 has been pre-punched to hold a C3F or C3M connector (not included).



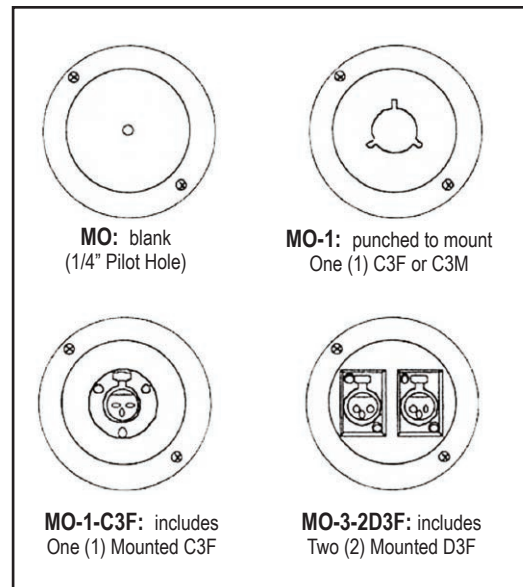
Side view



Optional carpet trim ring (Model CTR)

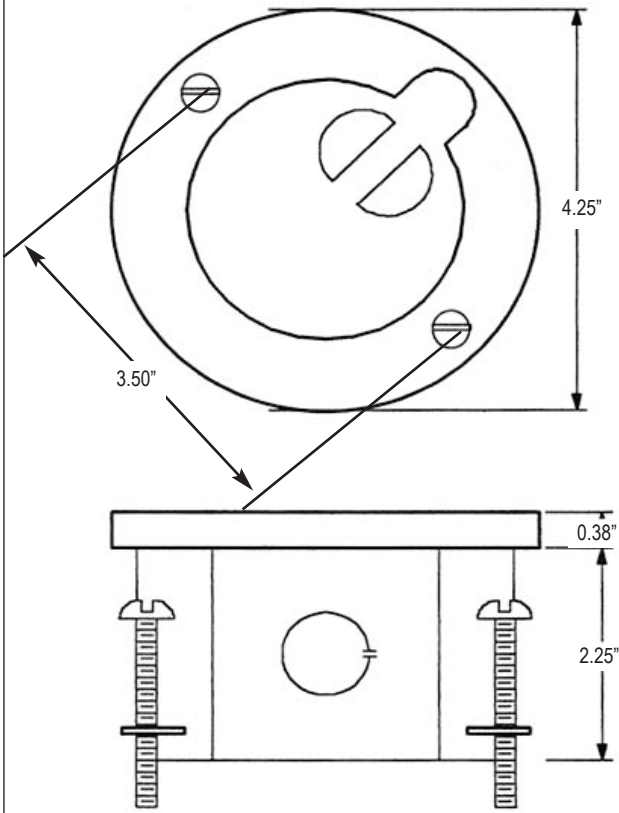


Installed



| Model No. | Style | Size | Material | Punches | Mounted Connectors |
|-----------|------------------|------------------|------------|-------------------------|--------------------|
| MO | Floor box | 4"L x 4" octagon | Brass lid | --- | --- |
| MO-1 | Floor box | 4"L x 4" octagon | Brass lid | 1 (hole for C3F or C3M) | --- |
| MO-1-C3F | Floor box | 4"L x 4" octagon | Brass lid | 1 (hole for C3F) | (1) 3CF connector |
| MO-3-2D3F | Floor box | 4"L x 4" octagon | Brass lid | 2 (hole for D3F) | (2) D3F connectors |
| CTR | Carpet trim ring | 5.156" dia. | Brass ring | --- | --- |

**MO Series
Floor Receptacle Dimensions**



**Model CTR
Carpet Trim Ring Dimensions**

