

Model series: LT (music / paging)

Lay-in Tile Packaged Speaker (music / paging, 8" speaker)



Description:

LT assembly installs easily in suspended tile ceilings. Selection of drivers, transformers and backboxes provides various performance levels for music or commercial paging. Ships ready-to-install—does not require speaker cut-outs in ceiling tile. Includes new restraint tabs (tie-offs) for code compliance.

- **1 x 2 Assembly:** supported by T-Bar grid; includes patented integral T-Bar* for fast installation when replacing half of non-regular 2 x 2 (1/4 of non-regular 2 x 4) ceiling tile. Includes driver mounted to 1 x 2 subplate, grille and integral T-Bar (optional xfmr and backbox).
- **2 x 2 Assembly:** replaces standard 2'x2' ceiling tile; supported by T-bar grid. Includes factory-wired speaker mounted to 2 x 2 subplate and grille (optional xfmr and backbox).

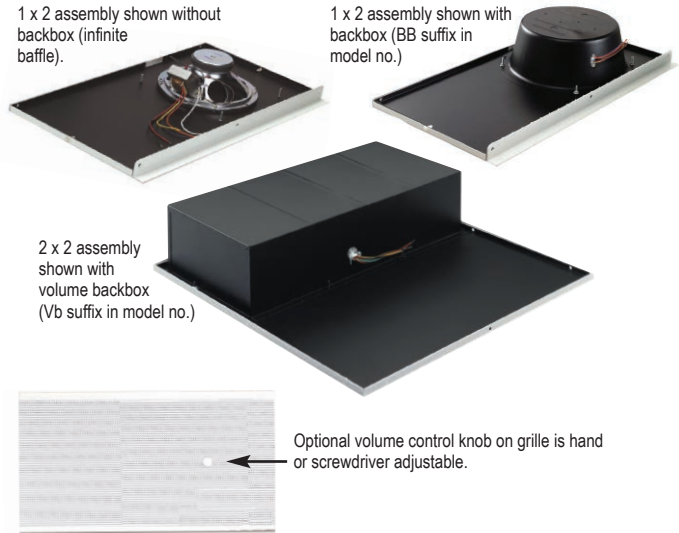
Features:

- **DRIVER selections:**
 - driver 805: 12W dual cone speaker with 5 oz. magnet, for background music and commercial paging.
 - driver 810: 15W dual cone speaker with 10 oz. magnet, for background music and commercial paging.
 - driver CT830: 20W coaxial speaker with 10 oz. LF and 2.1 oz. HF magnets, for background music and commercial paging or musical performance applications when used with a backbox.
- **TRANSFORMER selections (optional):**
 - xfmr. TLM572: 70/25V transformer with taps at 0.25, 0.5, 1, 2, 5 W
 - xfmr. TLM870: 70V transformer with taps at 1, 2, 4, 8 W
 - xfmr. TLM1670A: 70V transformer with taps at 4, 8, 16 W
- **GRILLE:** fine-perforation white grille for maximum free-air space and excellent sound transmission. 1 x 2 grille has integral (2-ft.) T-bar to support neighboring non-regular tile. 2 x 2 grille replaces single 2 x 2 tile. Models with "VC" suffix include a 50 ohm volume control with white knob on front of grille (hand or screwdriver adjustable).
- **BACKBOX selections:**
 - no backbox: for infinite baffle applications.
 - backbox (BB): .147 cu.ft. backbox protects speaker assembly. Speaker leads exit through metal clamp for fast connection—splice connecting wires, push them inside enclosure, tighten clamp.
 - volume backbox (Vb): .8 cu.ft. backbox with acoustic lining enhances audio performance. Speaker leads exit through metal clamp for fast connection—splice connecting wires, push them inside enclosure, tighten clamp.

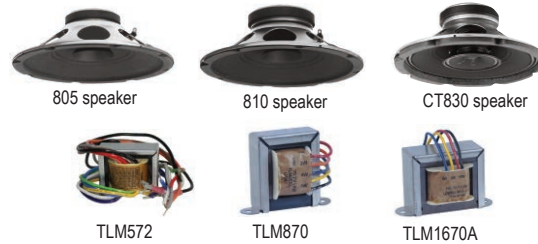
A&E Specifications:

The speaker system for suspended tile ceilings shall be Lowell LT-series Model _____ (1 x 2 or 2 x 2). The 1 x 2 system shall replace half of a

*US patent no's. 7120269; D467579; 7643647



Driver / Transformer selections:



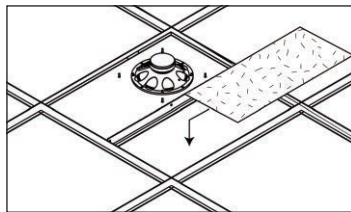
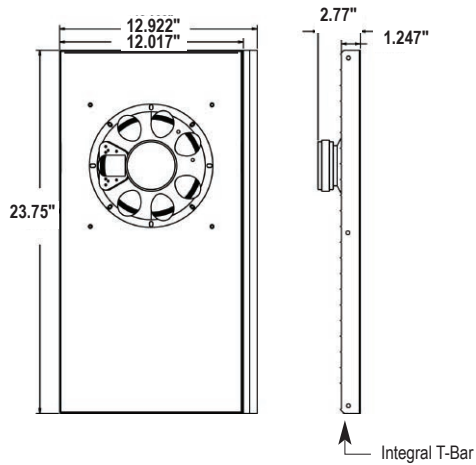
non-regular 2 x 2 ceiling tile or one-fourth of a non-regular 2 x 4 ceiling tile and shall include an integral T-Bar to support the adjacent non-regular tile. The 2 x 2 assembly shall directly replace a 2 x 2 tile. Each system shall include a factory-mounted driver mounted to a subplate with fine perforation white steel grille and restraint tabs for code compliance. Speaker shall be 8-in. with power rating of _____, magnet weight of _____, frequency response of _____ and sensitivity of _____ (measured 1W/1M).

(Optional: System shall include steel backbox with a volume of _____; a _____ W transformer with primary taps at _____; a volume control with white knob on front of grille).

Model No.	Assembly Size	Driver	Transformer	Transformer Taps	Backbox (cu.ft.)	Grille	Vol. Control Knob
LT-805-BB	1 x 2	805 (12W)	---	---	.147	White	---
LT-805-72-BB	1 x 2	805 (12W)	TLM572	.25, 0.5, 1, 2, 5 W (70/25)	.147	White	---
LT-805-72-BB-VC	1 x 2	805 (12W)	TLM572	.25, 0.5, 1, 2, 5 W (70/25)	.147	White	Yes
LT-810	1 x 2	810 (15W)	---	---	---	White	---
LT-810-BB	1 x 2	810 (15W)	---	---	.147	White	---
LT-810-72	1 x 2	810 (15W)	TLM572	.25, 0.5, 1, 2, 5 W (70/25)	---	White	---
LT-810-72-VC	1 x 2	810 (15W)	TLM572	.25, 0.5, 1, 2, 5 W (70/25)	---	White	Yes
LT-810-72-BB	1 x 2	810 (15W)	TLM572	.25, 0.5, 1, 2, 5 W (70/25)	.147	White	---
LT-810-72-BB-VC	1 x 2	810 (15W)	TLM572	.25, 0.5, 1, 2, 5 W (70/25)	.147	White	Yes
LT2-810-BB	2 x 2	810 (15W)	---	---	.147	White	---
LT2-810-72-BB	2 x 2	810 (15W)	TLM572	.25, 0.5, 1, 2, 5 W (70/25)	.147	White	---
LT2-810-72-BB-VC	2 x 2	810 (15W)	TLM572	.25, 0.5, 1, 2, 5 W (70/25)	.147	White	Yes
LT-830-BB	1 x 2	CT830 (20W)	---	---	.147	White	---
LT-830-870	1 x 2	CT830 (20W)	TLM870	1, 2, 4, 8 W (70V)	---	White	---
LT-830-870-BB	1 x 2	CT830 (20W)	TLM870	1, 2, 4, 8 W (70V)	.147	White	---
LT2-830-T870-Vb	2 x 2	CT830 (20W)	TLM870	1, 2, 4, 8 W (70V)	.8	White	---
LT2-830-TM16-Vb	2 x 2	CT830 (20W)	TLM1670A	4, 8, 16 W (70V)	.8	White	---

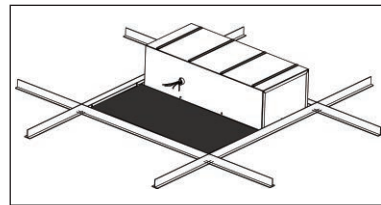
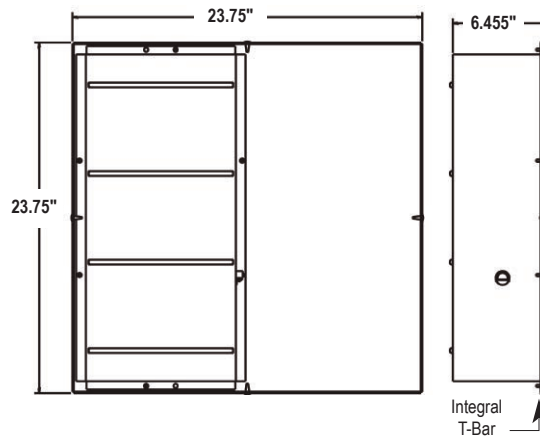
Includes restraint tabs (tie-offs) for code compliance.

No backbox (1 x 2 assembly):



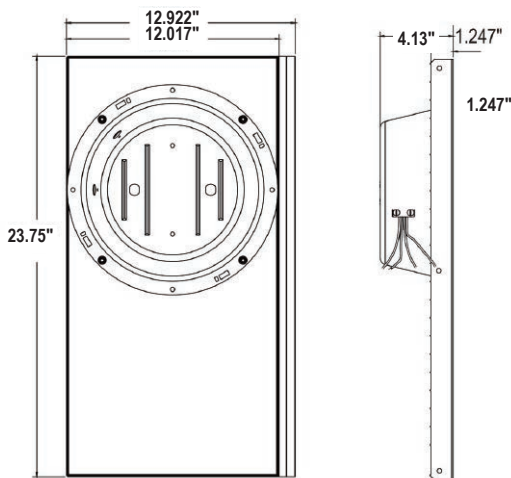
1'x2' installation: Replaces half of a non-regular 2'x2' tile. Integral T-Bar supports non-regular tile that was cut.

"Vb" backbox 2 x 2 (assembly):

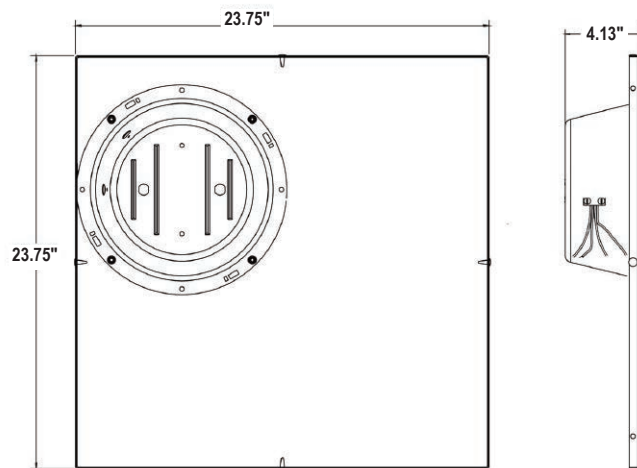


2'x2' installation: Replaces 2' x 2' tile. Backbox is offset for positioning around plenum obstructions.

"BB" backbox (1 x 2 assembly):



"BB" backbox (2 x 2 assembly):



Driver Specs (measured half space)

Speaker Model No.	Size	Power Rating	Type	Ceramic Magnet	Frequency Response	Dispersion (octave avg.)	Voice Coil Impedance	Voice Coil Diameter	Sensitivity 1W / 1M	Max SPL*	Depth (w/o xfrm)	Weight (w/o xfrm)
805	8"	12W	Dual Cone	5 oz.	47Hz - 20kHz +6dB	120° @ 2000Hz -6dB	8 Ohms	1"	93dB Avg	104dB	2.68"	1.3 lbs.
810	8"	15W	Dual Cone	10 oz.	47Hz - 20kHz +6dB	120° @ 2000Hz -6dB	8 Ohms	1"	95dB Avg	107dB	2.84"	2.0 lbs.
CT830	8"	20W	Coaxial	10 oz. LF 2.1 oz. HF	50Hz - 17.5kHz +6dB 50Hz - 19kHz Nominal	85° @ 2000Hz -6dB	8 Ohms	1" LF 0.57" HF	96dB Avg	109dB	3.0"	2.4 lbs.

*Calculated value 1M @ speaker maximum power. Complete information including frequency and polar data is available on the speaker spec sheet.