

Model: LLR-series

Lowell Laminated Rack

Description:

The LLR-series of laminated racks have a durable, attractive "no visible hardware" black woodgrain finish. The racks provide a simple, cost effective method of installing 19"W equipment in corporate, retail, education, residential and house of worship applications. Racks assemble easily without special tools, using Phillips-head cams and dowels. Hardware is not visible on the finished rack as the cams and dowels install from the inside and include a black cap to conceal them. This provides a finished, furniture-grade appearance, inside and out. Ships unassembled.

Features:

- One-pr. of 11-gauge steel mounting rails are pre-installed in front panel space. Rails are printed with rack unit increments for easy equipment installation.
- Top, bottom and sides are made of a sturdy, 5/8" wood composite with a black woodgrain laminate finish.
- Load capacity: 200 lbs.
- 20.41"W x 18"D
- Ships unassembled.
- Made in the USA



The LLR-series rack has a black woodgrain laminate finish.

Options: (order separately)

- **Rack Rails (LLR-RRT series):** mounting rails with thin-flange are designed to fit LLR-series racks to add extra support for rear of rack-mounted equipment. Sold in pairs.

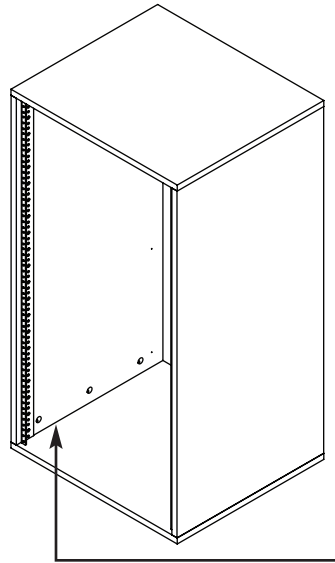
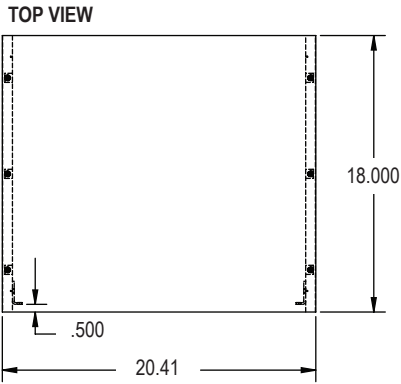
A&E Specifications:

The laminated rack(s) shall be Lowell Model _____. Rack(s) shall measure 20.41"W and have a depth of 18 inches. Panel space height shall be _____U for mounting EIA standard components. Sides, top and bottom shall be constructed of 5/8" wood composite with woodgrain laminate in black finish. Front mounting rails shall be 11-gauge steel with printed rack unit increments. Rack shall ship unassembled and feature cam and dowel assembly using standard Phillips head screwdriver. Cams shall install from the interior and include cover caps.

Model No.	Description	"A" Rack Units*	Overall Depth	Former No.	"A" Panel Space	"B" Overall Height	Overall Width
LLR-1018-B	Lowell Laminated Rack	10	18"	LR1018-B	17.625"	18.90"	20.41"
LLR-1218-B	Lowell Laminated Rack	12	18"	LR1218-B	21.125"	22.40"	20.41"
LLR-1618-B	Lowell Laminated Rack	16	18"	LR1618-B	28.125"	29.40"	20.41"
LLR-2118-B	Lowell Laminated Rack	21	18"	LR2118-B	36.875"	38.15"	20.41"
LLR-RRT-10	LLR Rack Rails Thin-flange (1-pr)	10					
LLR-RRT-12	LLR Rack Rails Thin-flange (1-pr)	12					
LLR-RRT-16	LLR Rack Rails Thin-flange (1-pr)	16					
LLR-RRT-21	LLR Rack Rails Thin-flange (1-pr)	21					

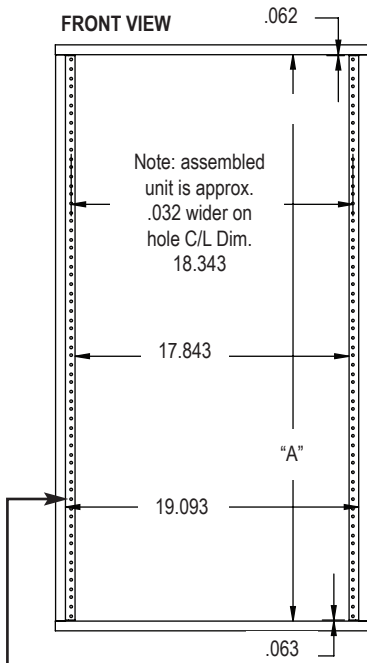
*Usable depth is 17.5" (front rails are set back 0.5"). One rack unit = 1.75"

Lowell Laminated Rack



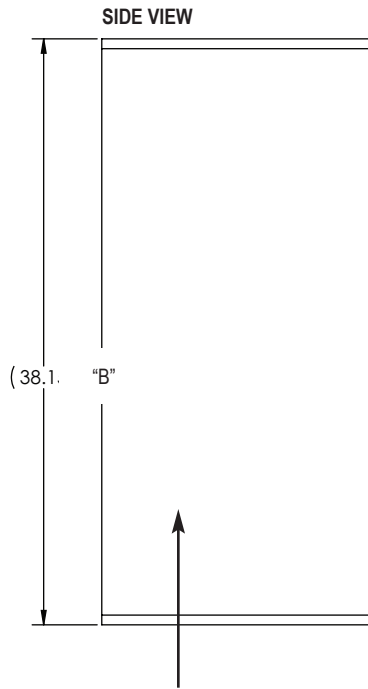
NO VISIBLE HARDWARE

Rack assembles without special tools using Phillips head cams and dowels that install from the inside. A black cover conceals the cam for a furniture-grade finish inside and out.



FIXED MOUNTING RAILS

Sturdy, 11-ga. steel mounting rails are pre-installed in front panel space. Rails feature a printed scale to facilitate equipment installation. (Optional rear mounting rails can be purchased separately.)



FURNITURE-GRADE FINISH

LLR-series racks feature a black, woodgrain laminate finish, ideal for boardrooms or residential use.

All measurements are inches.