

Lowell Portable Sloped-front Rack with fixed rails

Description:

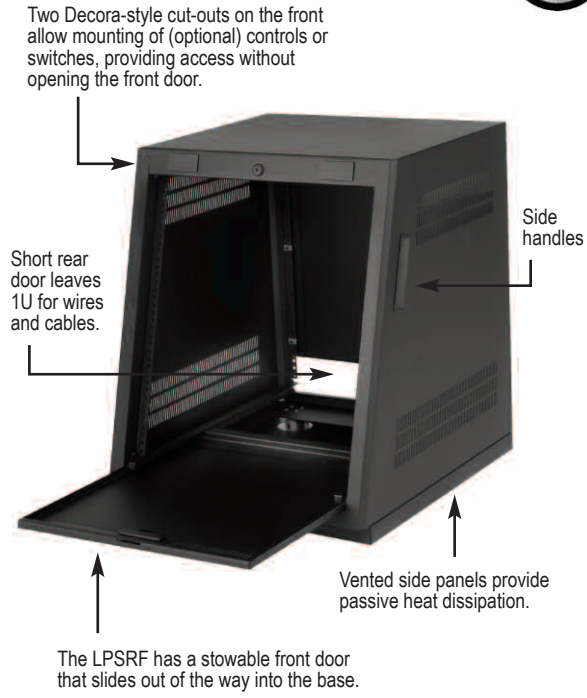
The E.I.A. compliant LPSRF measures less than 27" high to fit under standard-height counters and work surfaces, providing convenient rollout access to rack-mounted electronics. With fully welded 16-gauge steel construction reinforced at all load-bearing junctures, this ergonomic design features 12U mounting space on a 15-degree slope for comfortable viewing of equipment while seated. The rack features a stowaway front door, short rear door, vented side panels, handles, casters, and Decora-style cutouts above the front door for external operation of (optional) switches or controls. The stowaway front door opens from the top and slides into the base, avoiding the problem of swing-open doors that may block equipment in neighboring work areas. The short recessed rear door includes a key-lock (keyed differently than the front door) and is 1U shorter than the opening to leave access for cords, wires and cables.

Features:

- Fully welded 16-gauge steel construction reinforced at all load-bearing junctures provides substantial strength-to-weight ratio.
- Sloped front allows easy view of installed electronics from a seated position.
- Front cut-outs with cover plates above front door allow (optional) Decora-style devices to be operated without opening the door.
- Flush front door with key-lock opens from the top, then slides into the base for storage. The rack can also be ordered without the front door (see model numbers listed below).
- Recessed rear door with key-lock has a short design that leaves 1U opening for cable and wire access.
- Four twin-wheel casters, each with 125 lbs. load rating (500 lbs. total) are designed for smooth operation on a variety of floors, including carpeting.
- Fixed mounting rails (tapped 10-32).
- Vented sides have handles.
- PilotPoint™ screws with captive washers
- Black wrinkle powder epoxy finish.
- Made in U.S.A. with 100% certified U.S. steel

Options: (order separately)

- **LGT-LPSR:** one-inch thick laminate top with Graphite Grey finish is ideal for applications where a more "furniture-grade" look is preferred. The top is laminate-covered particle board with rounded corners and rubber edge molding. Overall dimensions are 23.75"W x 20.25"D x 1.00"H (top overhangs rack 0.5" in front, 1.0" in rear and 0.75" on each side). Includes 10-32 T-nuts (installed) and mounts to tiny indents in the top of the rack (hardware included).



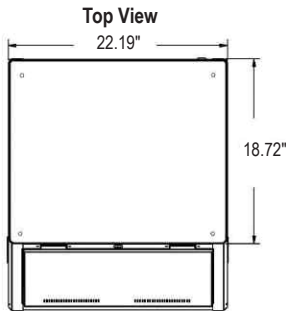
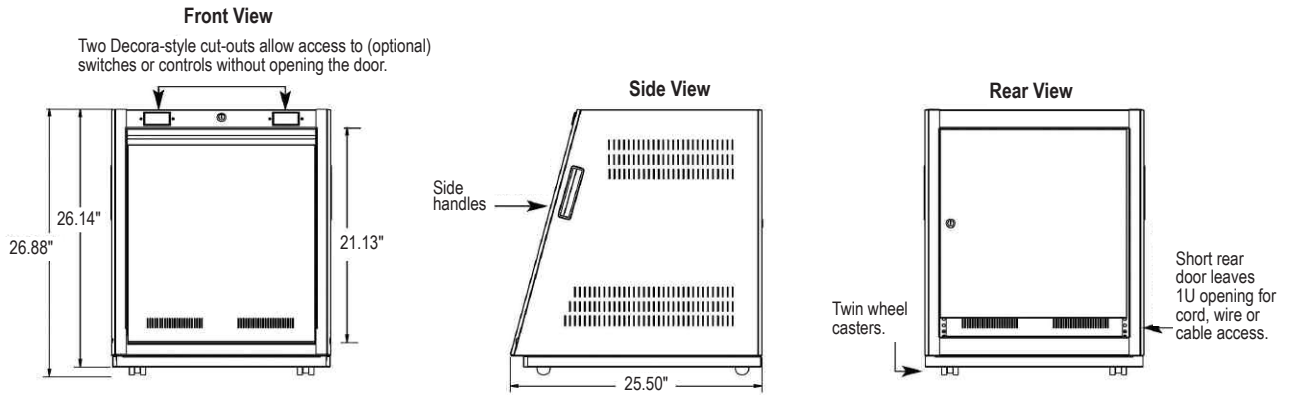
A&E Specifications:

The E.I.A. compliant, sloped-front rack shall be Lowell Model _____, which shall measure 26.88"H (with casters) x 22.19"W x 25.50"D at base (18.72"D at top) . The rack shall include side handles, twin-wheel casters, stowable front door with key-lock, short rear door with key-lock, and two front Decora-style cut-outs with cover plates for external access to (optional) switches or controls. The rack shall include one-pair fixed rails tapped 10-32 for mounting 19"W equipment on a 15-degree slope. The rack shall be fully welded, 16-gauge steel construction with reinforcement at all load-bearing junctures. Casters shall have a 125 lbs. load rating each (500 lbs. total). Vents for natural heat dissipation shall be provided on the sides and front door. Finish shall be black wrinkle powder epoxy.

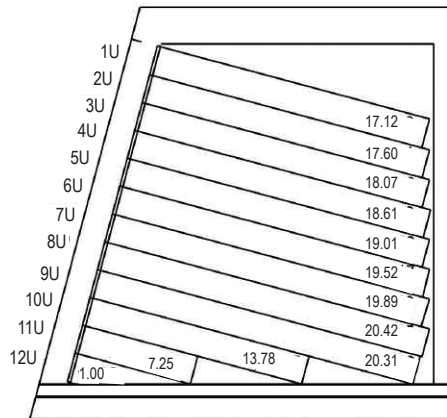
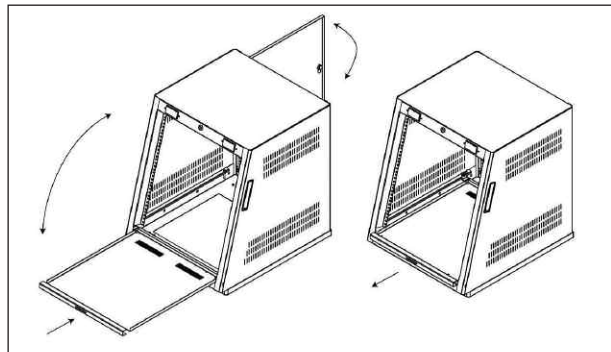
Model No.	Description	Rack Units*	Rack H	Overall H**	Overall W	Overall D (at top)	Overall D (at base)
LPSRF-1226	Lowell Portable Sloped-front Rack with fixed-rails	12	26.69"	26.88"	22.19"	18.72"	25.50"
LPSRF-1226-LFD	LPSRF Less Front Door	12	26.69"	26.88"	22.19"	18.72"	25.50"
LGT-LPSR	Graphite Grey Laminate Top			1.00"	23.75"	20.25"	

*One rack unit (RU or U) = 1.75". **Overall height includes casters

Lowell Portable Sloped-front Rack with fixed rails



Stowable Front Door Operation



Maximum racking depth for each rack unit on 15-degree slope.

Optional Laminate Top

