

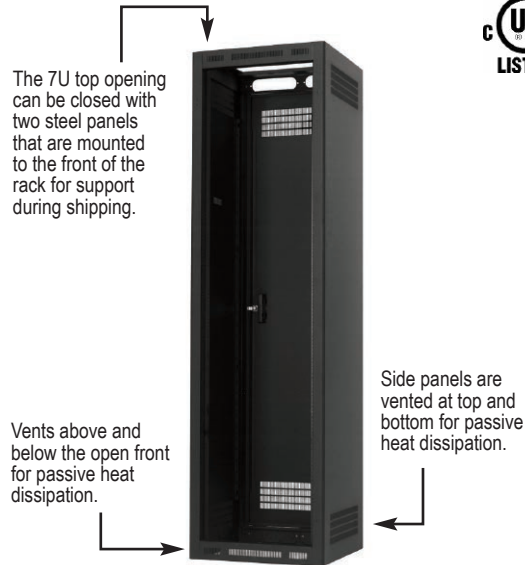
Lowell Enclosed Rack with fixed-rails – 22"D

Description:

The LERF is an E.I.A. compliant rack (UL Listed, Standard 1678) that offers solid structural support and code compliance to mount and secure 19" wide electronic equipment. This economical rack features fixed-position front mounting rails (tapped 10-32), useful for applications where equipment will be mounted in the fully forward position. Since the mounting rails are in a fixed position there are no front-to-rear rail supports (often used to mount vertical power strips) so the rack includes a welded Z-angle in the rear for power strip installation.

Features:

- Fully welded 16-ga. steel with 14-ga. steel bottom and reinforcement at all load-bearing junctures for strength equivalent to 11-gauge steel.
 - One-pair of fixed-position mounting rails, tapped 10-32. Clearance from rails to flush outside of frame is 1.75" (2.5" from rail to inside of optional surface-mount front door).
 - Integral 19" E.I.A. rack rail at top to mount accessories. Use the two solid panels included as shipping stiffeners for flush closure or optional fan panels (ordered separately) for active cooling.
 - Abundant cable lacing points and wire management space:
 - Top:** 7U opening and 6" deep rear conduit plane with three knockouts for conduit (2"-1"), two knockouts for conduit (1.5"-1"), plus room to use a Greenlee-style punch for (4") conduit. Six (.5") knockouts for BNC style wireless antenna.
 - Rear:** removable combination knockout panels above and below rear door: (.5") knockouts for wireless antennae and compound knockouts for conduit size (.75"-.5") and (1.5"-1").
 - Bottom:** 14-gauge steel frame with full-size opening to facilitate floor entry of cable.
 - Bottom includes provisions for optional leg levelers, and holes for optional anchor bolts (by others). Bottom will accept optional mobile or stationary platform base. (Order options separately.)
 - Vented side panels.
 - Vented, recessed rear door with key-lock.
 - Open front has vents at top and bottom. (Order front door separately; see LFD-series).
 - Panel Hardware: PilotPoint™ screws with captive washers.
 - Black wrinkle powder epoxy finish.
 - Made in the U.S.A. with 100% certified U.S. steel
- Options:** (order separately)
- Front Door:** locking front door in solid steel, fully-vented steel or steel frame with smoked Plexiglass insert (see LFD-series).



The 7U top opening can be closed with two steel panels that are mounted to the front of the rack for support during shipping.

Vents above and below the open front for passive heat dissipation.

Side panels are vented at top and bottom for passive heat dissipation.

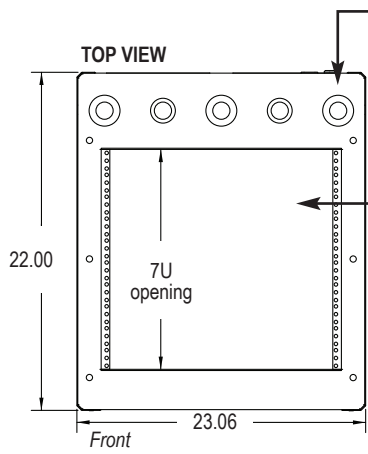
Rack includes recessed rear door with key-lock. A front door is optional (order separately, see LFD-series).

A & E Specifications:

The UL Listed (Standard 1678), E.I.A. compliant equipment rack shall be Lowell Model _____. It shall measure 23.06"W x 22"D x _____"H with a racking space of _____ rack units. The rack shall be fully welded 16-gauge certified U.S. steel with seamless side-frame construction and 14-ga. steel bottom reinforced at all load-bearing junctures. It shall include vented side panels, vented recessed rear door with key-lock, and vents above and below the open front. The rack shall feature one-pair of fixed-position front mounting rails, tapped 10-32. Top shall include compound knockouts for conduit size (2"-1") and (1.5"-1"), and (.5") knockouts for BNC wireless antennas. It shall have a 7U top opening with integral E.I.A. rack rail to accept optional 19" wide accessories. Two steel panels are included as shipping stiffeners. The open bottom shall include provisions for optional leg levelers and holes for optional anchor bolts (by others). The rear shall have removable knockout panels above and below the door including (.5") knockouts for wireless antennas and compound knockouts for conduit size (.75"-.5") and (1.5"-1"). Rack finish shall be black wrinkle powder epoxy.

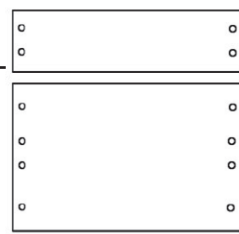
Model No.	Description	Rack Units*	Panel Space	Overall D	Usable D*	Overall H	Overall W
LERF-2122	Lowell Enclosed Rack with Fixed-rails	21	36.88"	22.00"	19.34"	42.88"	23.06"
LERF-2122-LRD	Lowell Enclosed Rack with Fixed-rails Less Rear Door	21	36.88"	22.00"	19.34"	42.88"	23.06"
LERF-2422	Lowell Enclosed Rack with Fixed-rails	24	42.13"	22.00"	19.34"	48.13"	23.06"
LERF-2422-LRD	Lowell Enclosed Rack with Fixed-rails Less Rear Door	24	42.13"	22.00"	19.34"	48.13"	23.06"
LERF-3522	Lowell Enclosed Rack with Fixed-rails	35	61.38"	22.00"	19.34"	67.38"	23.06"
LERF-3522-LRD	Lowell Enclosed Rack with Fixed-rails Less Rear Door	35	61.38"	22.00"	19.34"	67.38"	23.06"
LERF-4022	Lowell Enclosed Rack with Fixed-rails	40	70.13"	22.00"	19.34"	76.13"	23.06"
LERF-4022-LRD	Lowell Enclosed Rack with Fixed-rails Less Rear Door	40	70.13"	22.00"	19.34"	76.13"	23.06"
LERF-4422	Lowell Enclosed Rack with Fixed-rails	44	77.13"	22.00"	19.34"	83.13"	23.06"
LERF-4422-LRD	Lowell Enclosed Rack with Fixed-rails Less Rear Door	44	77.13"	22.00"	19.34"	83.13"	23.06"

One rack unit (RU or U) = 1.75". Usable depth is the maximum racking depth with rack rails in fully forward position.



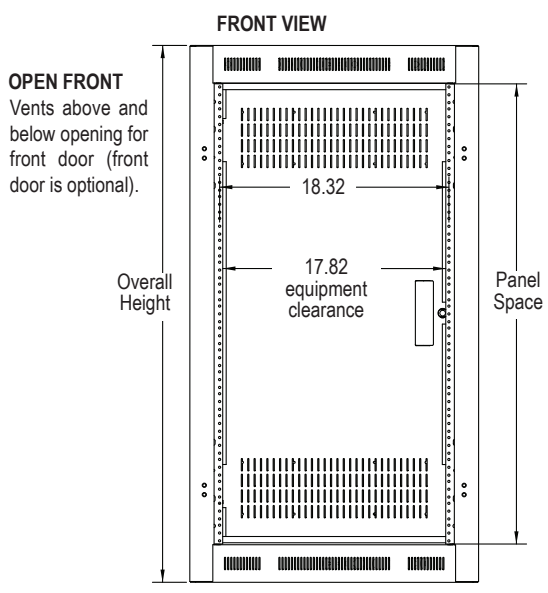
KNOCKOUTS FOR CONDUIT

Three (2"-1"), two (1.5"-1"), plus six (.5") front-to-rear knockouts for BNC. The extra deep 6" knockout plane provides room to use a Greenlee-style punch for (4") conduit.

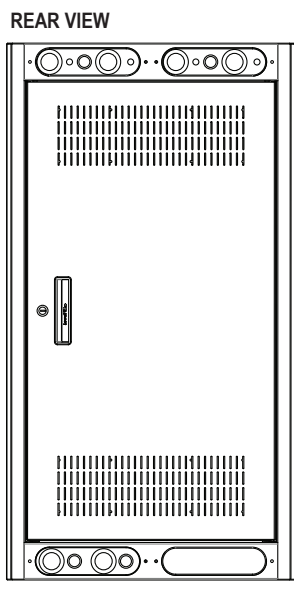


TOP CLOSURE PANELS

During shipping, two solid panels (3U and 4U) are mounted to the rack front for extra stability. Panels can be used as flush closure panels for the 7U opening at top. The top will also accept optional fan or vent panels (order separately).



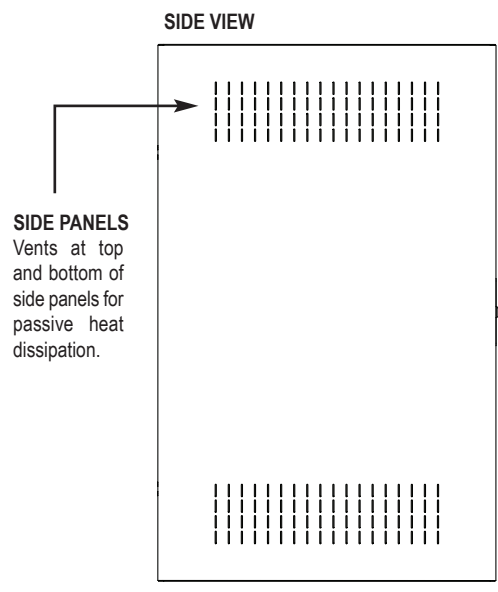
OPEN FRONT
Vents above and below opening for front door (front door is optional).



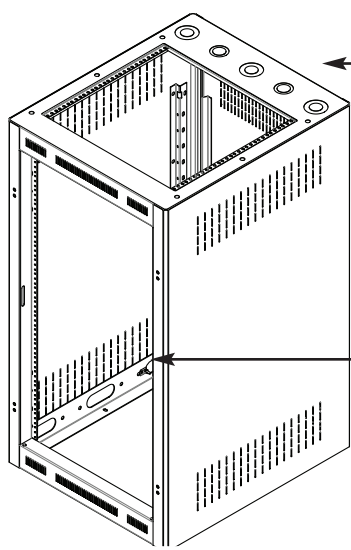
COMBINATION KNOCKOUT PANELS

Panels above the recessed rear door have combination knockouts (.5") for wireless antenna, (.75"-.5") and (1.5"-1") for conduit.

Below the rear door one panel has combination knockouts for conduit (.75"-.5") and (1.5"-1"). The other is a blank project panel.



SIDE PANELS
Vents at top and bottom of side panels for passive heat dissipation.



VENTED REAR DOOR

Rack includes a recessed rear door that's vented at top and bottom. An optional fully-vented rear door is available (order separately).

FIXED RAILS

Front mounting rails are fixed in position.

All measurements are inches.