

Model: LDR-series

Lowell Desk Rack

Description:

The LDR-series provides easy access to 19" wide EIA audio, video and control equipment in desktop applications. Rubber feet protect desktop; side ventilation slots allow heat dissipation. Welded 16-gauge steel on top, bottom and sides with 11-gauge fixed front mounting rails tapped 10-32. Front rails are recessed 0.825" from frame providing 1.822" equipment clearance even when (optional) front door is added. Black wrinkle powder epoxy finish. Overall width 22.45". Rail mounting width 19" EIA.

Features:

- One pair fixed mounting rails at front, tapped 10-32
- Protective rubber feet
- Open front; open back; beveled corners
- Side panels vented at top and bottom
- 150 lbs. load capacity
- Removable knockout panels (1 blank project panel at top, 1 panel with .5"- .75", .5", 1.5"-1" knockouts for conduits). Panels can be rotated to suit application.

Options: (order separately)

- **Front Door (LFD-series):** surface-mount front door (solid steel, fully-vented steel, or steel with Plexiglas insert).
- **Rear Access Cover (LDR-RAC series):** vented steel panel with keylock. Cover will mount two (optional) fan panels model FW1-KIT or one model FW2-RD.
- **Fixed Rear Rails (LDR-RRT series):** set of fixed rear rails can be changed to adjustable style if used with bracket RRTMB-F.
- **Rack Rail Thin-flange Mounting Bracket (RRTMB-F):** conversion bracket enables rack to accept adjustable (middle-depth) mounting rails, or to change front or rear fixed-rails to adjustable style. Includes hardware.
- **Casters (XCS):** dual-wheel casters with 125 lbs. load capacity each. Increases rack height by 1.75". Four-pack.
- **Protective Runner Kit (PRK):** plastic glides provide protection for wood surfaces in slide-in applications.



Front door and rear access cover are available as options (order separately).



Optional protective runner kit protects furniture in slide-in applications.

A&E Specifications:

Rack for desktop use shall be Lowell Model _____. Rack shall measure 22.45"W x 18"D (17.14" usable depth) x _____"H. Welded assembly shall be 16-ga., certified US steel with 11-ga. fixed front mounting rails tapped 10-32. Rack shall include side ventilation slots and protective rubber feet. Finish shall be black powder epoxy.

Rack shall include these options (ordered separately): rear access cover (Model _____), locking front door (Model _____), fixed rear mounting rails (Model _____), rack rail mounting bracket (Model RRTMB-F), casters (Model XCS), and protective runner kit (Model PRK).

Model No.	Description	"A" Rack Units*	"A" Panel Space	Overall D	Overall W	"B" Overall H*	Usable D	Carton Pack	Carton Wt. (lbs)
LDR-718	Lowell Desk Rack	7	12.37"	18"	22.45"	14.62"	17.14"	1	36
LDR-1018	Lowell Desk Rack	10	17.62"	18"	22.45"	19.87"	17.14"	1	44
LDR-1218	Lowell Desk Rack	12	21.12"	18"	22.45"	23.37"	17.14"	1	45
LDR-1418	Lowell Desk Rack	14	24.62"	18"	22.45"	26.87"	17.14"	1	50
LDR-1618	Lowell Desk Rack	16	28.12"	18"	22.45"	30.37"	17.14"	1	58
LDR-RRT7	LDR Rack Rails Thin-flange	7				12.25"		1-pr	3
LDR-RRT10	LDR Rack Rails Thin-flange	10				17.50"		1-pr	3
LDR-RRT12	LDR Rack Rails Thin-flange	12				21.00"		1-pr	4
LDR-RRT14	LDR Rack Rails Thin-flange	14				24.50"		1-pr	4
LDR-RRT16	LDR Rack Rails Thin-flange	16				28.00"		1-pr	5
LDR-RAC7V	LDR Rear Access Cover Vented	7		0.74"	18.97"	12.27"		1	6
LDR-RAC10V	LDR Rear Access Cover Vented	10		0.74"	18.97"	12.52"		1	8
LDR-RAC12V	LDR Rear Access Cover Vented	12		0.74"	18.97"	21.02"		1	9
LDR-RAC14V	LDR Rear Access Cover Vented	14		0.74"	18.97"	24.52"		1	11
LDR-RAC16V	LDR Rear Access Cover Vented	16		0.74"	18.97"	28.02"		1	13
RRTMB-F	Rack Rail Thin-flange Mounting Bracket							1-kit	6
PRK	Protective Runner Kit							1-kit	3
XCS	Dual-wheel Swivel Casters (set of 4)							1-set	2

*Rack height includes rubber feet. One Rack Unit = 1.75"

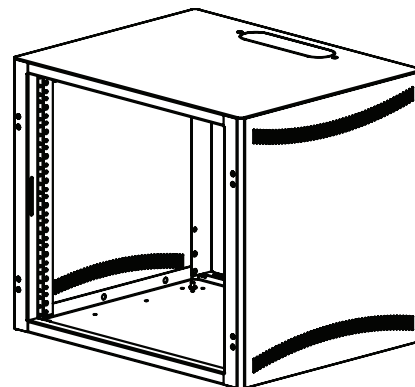
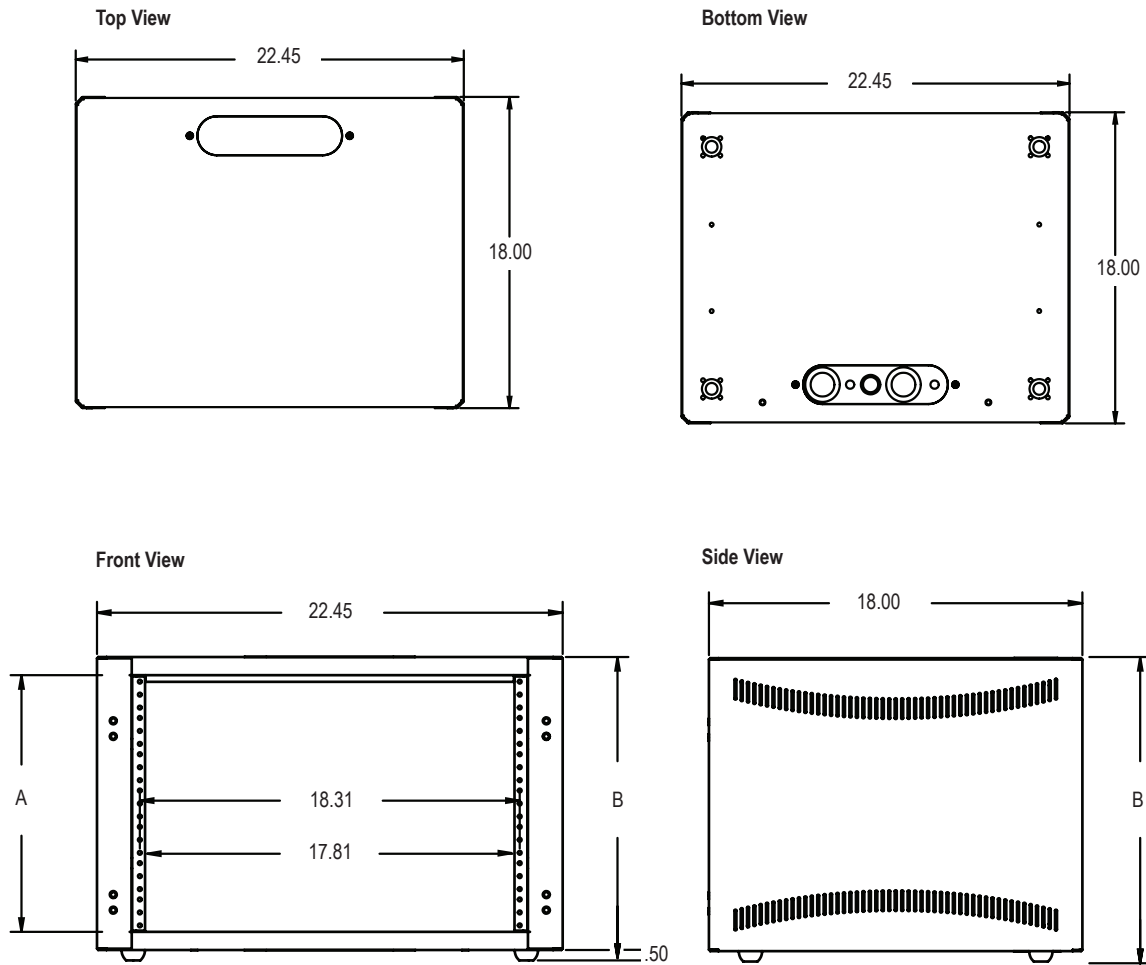
Spec. No. **1022**
(rev. 03.04.11)
pg. 1 of 1

©2010 Lowell Manufacturing Company, 100 Ingram Dr., Pacific MO 63069. Phone-800.325.9660 Fax-636.257.6606. Lowell makes every effort to provide accurate information while reserving the right to change specifications and/or improve manufacturing methods without notification. (lowellmfg.com)

Lowell™

Model: LDR-series

Lowell Desk Rack



All measurements are inches.