

Model No.: LCB-8

# Bi-directional Surface Baffle (for 8" speaker)

## Description:

Lowell Model LCB-8 is a bi-directional baffle designed for ceiling or wall mount applications in corridor and concourse areas where bi-directional sound projection is desirable. This surface mounted baffle allows sound energy to radiate from behind the loudspeaker, as well as the front, for greater sound coverage and increased efficiency. The baffle housing and base are fabricated of deep drawn aluminum for maximum corrosion resistance. The rectangular base mounts to any standard 4-inch square or single gang electrical box via the adapter plate provided. The LCB-8 is finished in brushed aluminum, polished to a satin sheen, and then sealed with a clear lacquer coating to prevent tarnishing. The unit will accommodate any standard 8-inch dual or single cone loudspeaker\* or Unihorn™ Model LUH-15T. Both grilles are attached to the assembly with four screws which may be removed to facilitate speaker installation from either side. Unit is furnished complete with mounting hardware.

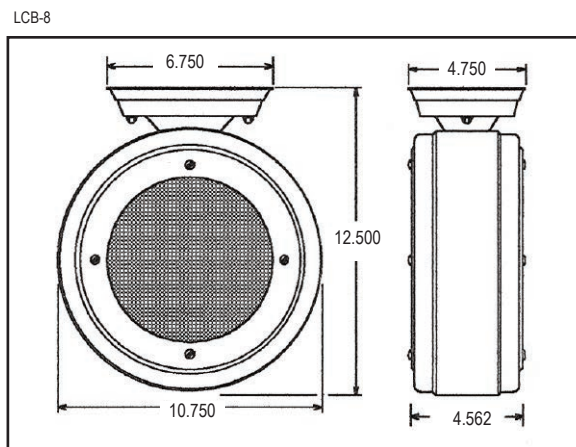
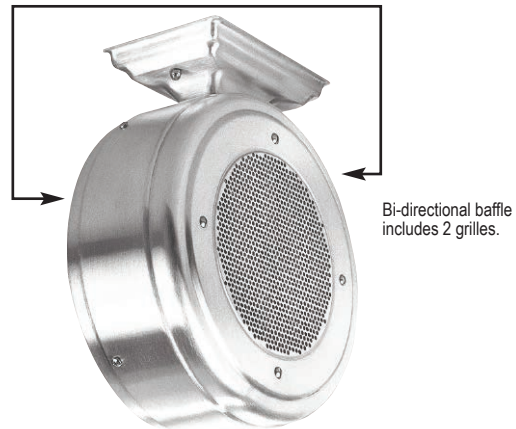
## Features:

- Surface baffle allows for bi-directional sound output from an 8" speaker or Lowell's Unihorn Model LUH-15T (order separately)
- Weather-resistant aluminum housing has a brushed finish with a protective clear lacquer coating to resist tarnishing.
- Adapter plate facilitates mounting to a single gang or 4-inch square electrical box.

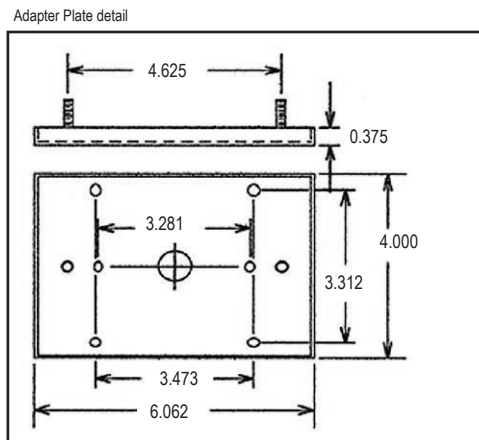
## A&E Specifications:

Bi-directional surface ceiling/wall baffle shall be Lowell Model LCB-8. The baffle shall mount a standard 8-inch dual cone / single cone speaker or Lowell's Unihorn Model LUH-15T. Fabrication of the housing and base shall be of deep drawn aluminum and finished in a polished brushed aluminum with a clear lacquer finish. The base shall have an adapter plate for mounting to a 4-inch square or single gang electrical box. Mounting hardware shall be provided.

\* Note: Coaxial speakers are not recommended due to greater extremes in front vs. rear frequency response. Suggested speakers are listed at right.



Measurements are shown in inches.



**Compatible Components:** (order separately)  
 Speakers (8"): 805, 810, LUH15T (Unihorn)

Model No.	Description	Diameter (in)	Depth (in)	Projection (in)	Mounts	For Use With Speaker Size (in)
LCB-8	Bi-directional surface baffle	10.75	4.75	12.5	4" sq. E.O. box	8