



Original Manufactured Diaphragm S/A Part Number	Diaphragm S/A Kit Number	Nominal Impedance of Driver	Diaphragm Thickness (Reference Only)	Used On
F01U188444 81256	F01U110542 81256XX	8 Ohms	1.5 mil	DH1A-8 ND6X-8 N/DYM1-8
F01U188464 81320	F01U110547 81320XX	16 Ohms	1.5 mil	DH1A-16 ND6X-16 N/DYM1-16
F01U188722 84234	F01U110650 84234XX	8 Ohms	2 mil	ND5-8 DH7-8 ND6-8
F01U188719 84233	F01U110649 84233XX	16 Ohms	2 mil	ND5-16 DH7-16 ND6-16
F01U194534 ASY000734000	F01U171894	8 Ohms	2 mil	DH7N-8
F01U194537 ASY000737000	F01U171887	16 Ohms	2 mil	DH7N-16

Table 1: Diaphragm replacement kit reference chart

Figure 1:
Cleaning magnetic gap

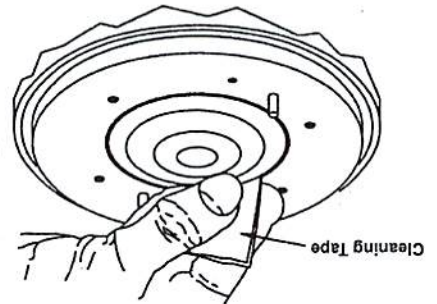


Figure 2:
Pin-centered assembly

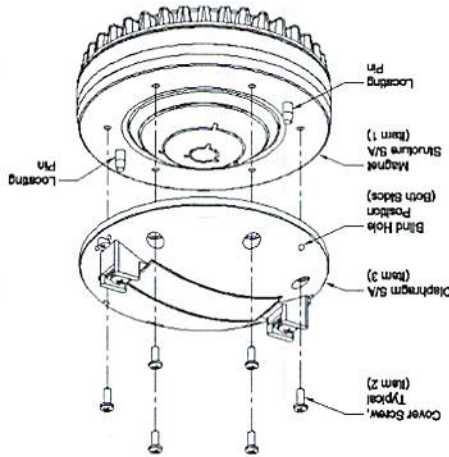


Figure 3:
Rim-centered assembly

