

ALLEN&HEATH

Parts identification sheet

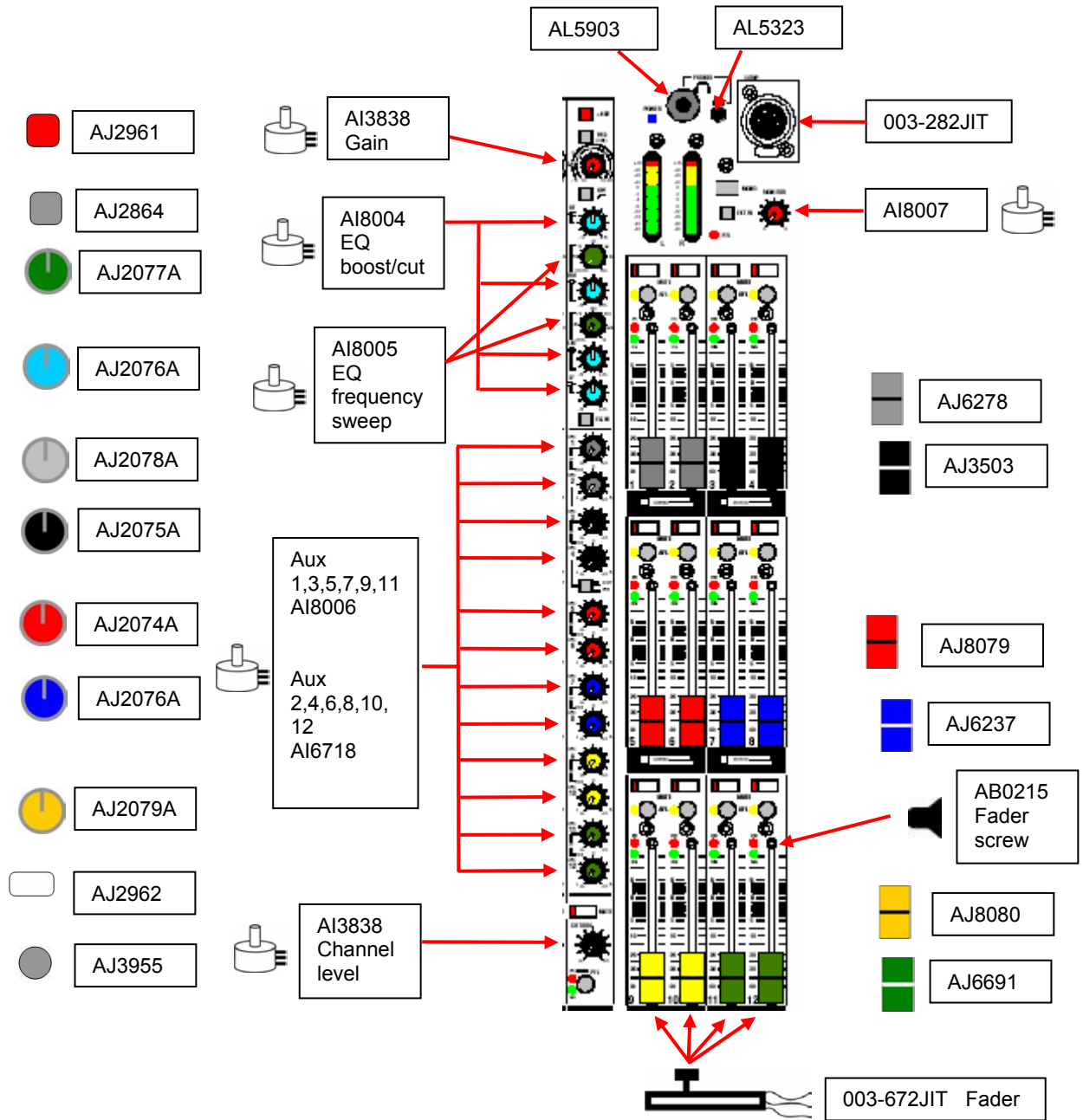
WZ³12M

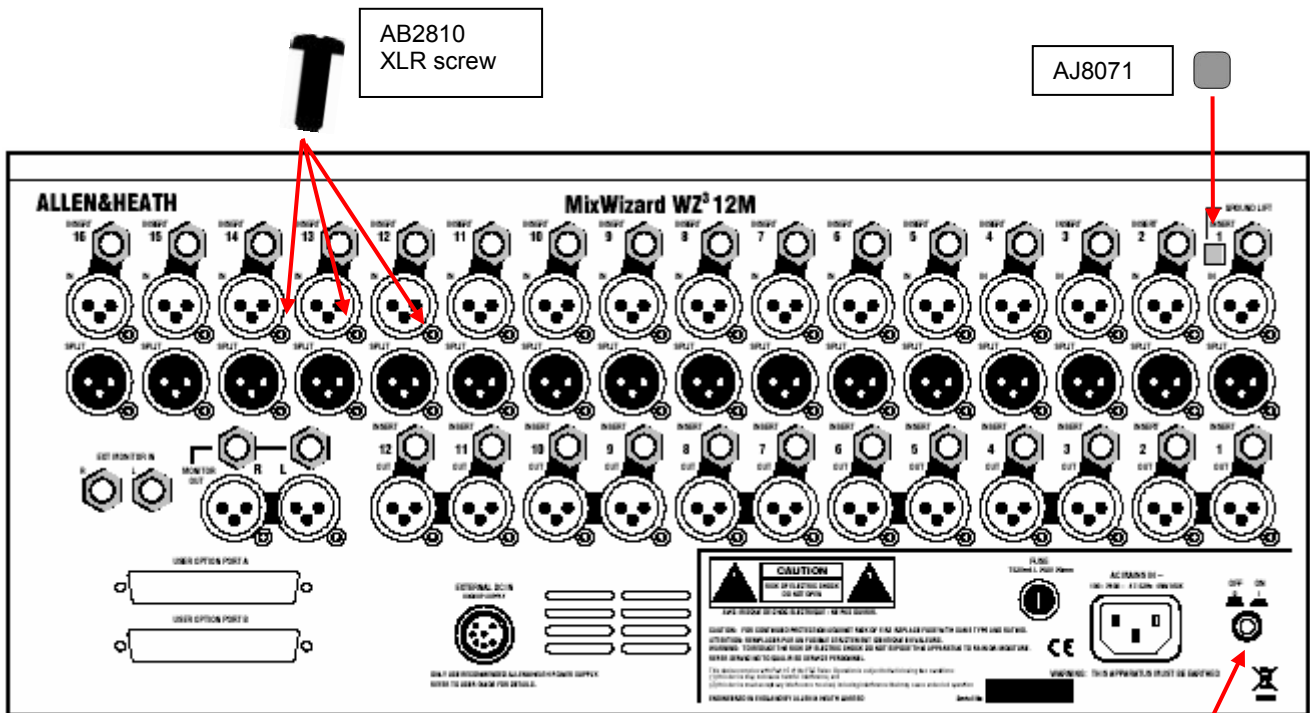
How to order parts

Parts must be ordered from our distributor in your territory. A list of international distributors can be viewed at <http://www.allen-heath.com/UK/distributors.asp>

UK parts must be ordered through an appointed A&H dealer or service centre. A list of UK service centres can be viewed at http://www.allen-heath.com/UK/service_centres.asp

EXTERIOR PARTS:





AB2810
XLR screw

AJ8071

AJ2887
AC. Black
switch cap

Side moulding
Right AA5463-R

Side moulding
Left AA5463-L



INTERIOR PARTS

