

Model: LDSR-series

Lowell Desktop Sloped-front Rack

Description:

The LDSR-series rack measures 18"D at the base and features a 12-degree slope so equipment can be viewed from a seated position. Sturdy design is 16-gauge certified US steel, with fixed front mounting rails tapped 10-32 and recessed .562" from frame, providing approximately .75" for equipment clearance. Open back allows easy access to rear equipment controls. This rack will not accept a front door so equipment with protruding knobs or patch panel connections is not a problem. Rack includes rubber feet to protect desktop from scratches or you can order the optional protective runner kit (model PRK) for slide-in applications.



Features:

- Fixed Front Mounting Rails: 1-pr. tapped 10-32
- Protective rubber feet
- Open base, front and back
- Black wrinkle powder epoxy finish
- Made in the USA
- Suitable for UPS shipping

A&E Specifications:

Rack for desktop use shall be Lowell Model _____. It shall have a 12-degree front slope and measure 21.125"W x 18"D (at base) x _____"H. Welded assembly shall be 16-gauge steel with fixed front mounting rails tapped 10-32. It shall include protective rubber feet. Finish shall be black wrinkle powder epoxy.

Options:

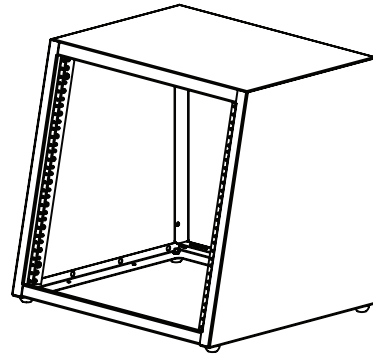
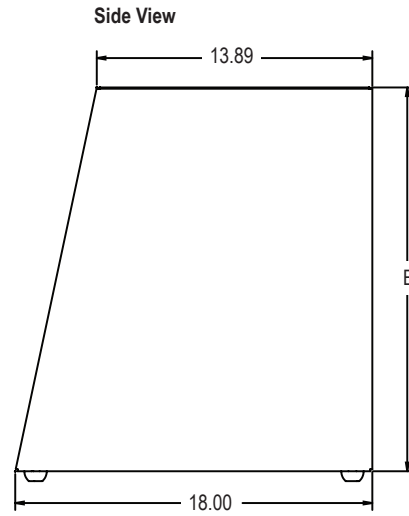
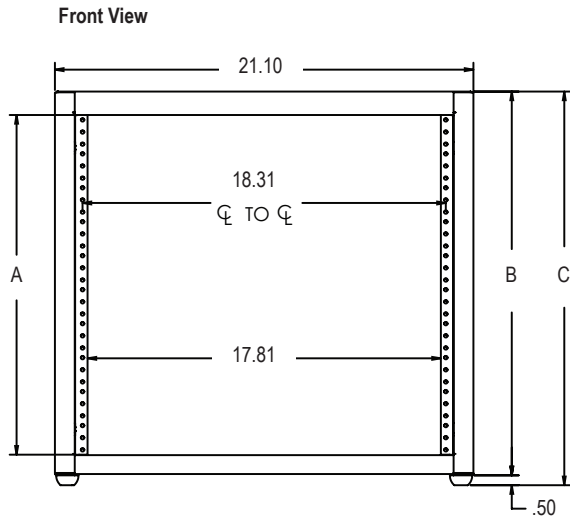
- **Rear Rails:** fixed-position, thin-flange steel rails mount in rear of rack. Includes hardware.
- **Rear Access Cover:** steel cover closes back of rack. *Note: cover cannot be used in conjunction with (optional) rear mounting rails.*
- **Protective Runner Kit:** plastic glides provide protection for wood surfaces when installed inside cabinetry.

Model No.	Description	"A" Racking Height	"A" Racking Height	"B" Overall Height	"C" Overall Height with feet	Overall Width	Overall Depth
LDSR-718	Lowell Desktop Sloped-front Rack	7U	12.375"	14.21"	14.65"	21.10"	18"
LDSR-1018	Lowell Desktop Sloped-front Rack	10U	17.625"	19.35"	19.85"	21.10"	18"
LDSR-1218	Lowell Desktop Sloped-front Rack	12U	21.125"	22.77"	23.27"	21.10"	18"
RRTF-7	Rack Rails TF (includes hardware) 1-pr	7U					
RRTF-10	Rack Rails TF (includes hardware) 1-pr	10U					
RRTF-12	Rack Rails TF (includes hardware) 1-pr	12U					
LDRF-RAC7V	Rear Access Cover (for 7U rack)	7U					
LDRF-RAC10V	Rear Access Cover (for 10U rack)	10U					
LDRF-RAC12V	Rear Access Cover (for 12U rack)	12U					
PRK	Protective Runner Kit (1-set)						

One rack unit = 1.75"

Model: LDSR-series

Lowell Desktop Sloped-front Rack



All measurements are inches.