

Model: JG-8X

# Screw-mount Square Grille for 8" speaker

## Description:

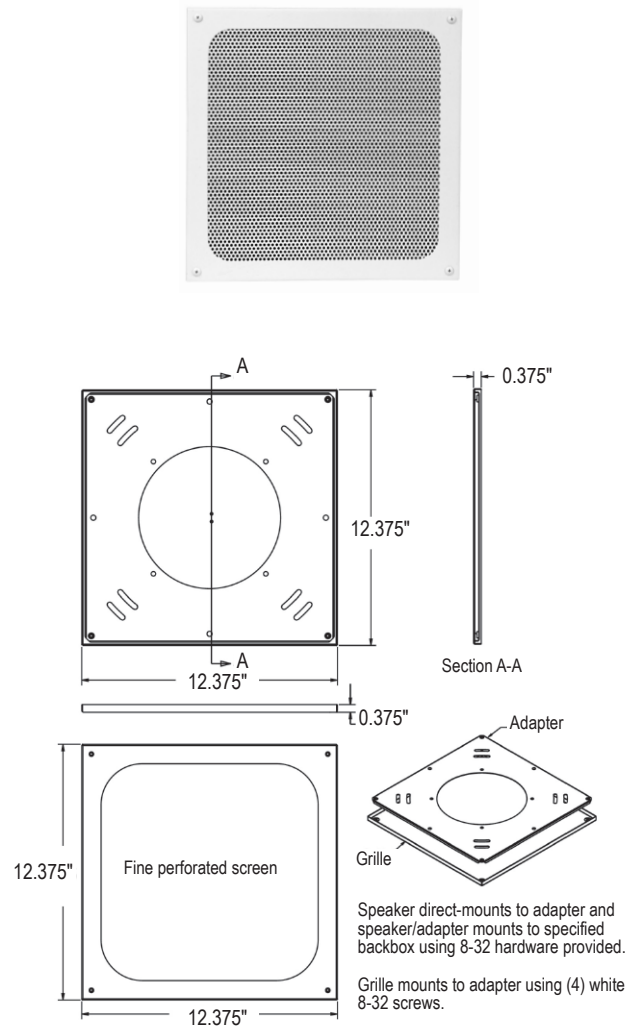
Model JG-8X is a square grille with beveled edges and a separate speaker-to-backbox adapter plate. The square grille and adapter are designed to mount an 8" speaker to a recessed or surface backbox (see chart for compatible components). The JG-8X features a 20-gauge beveled frame with radius corner cutout and a welded 22-gauge perforated steel screen and white powder epoxy finish. It includes an adapter plate that's fabricated from 21-gauge steel and is finished in black powder epoxy. The adapter includes corrosion-resistant 8-32 hardware to mount an 8" EIA speaker. The speaker/adapter assembly is engineered to direct-mount to a backbox with 8-32 x 1.5" screws (provided). The direct-mount installation method allows a high quality 8" speaker with substantial motor structure weight to be supported by the backbox instead of the grille. The non-loadbearing JG-8X grille then mounts using four 8-32 x 0.375" white screws. Order speaker and backbox separately.

## Features:

- 22-gauge screen, 20-gauge frame, 21-gauge adapter
- 12.375" square
- Mounting provisions: 4 screws, adapter with 4 screws
- Beveled edges
- Grille: white powder epoxy finish
- Adapter: black powder epoxy finish

## A & E Specifications:

The grille for the 8" speaker shall be Lowell Model JG-8X. It shall be 20-gauge steel frame with a beveled edge, radius corner cutout and 22-gauge welded perforated screen center. The grille shall include a 21-gauge steel adapter plate and mounting hardware. The grille shall be 12.375" square with a mounting projection of 0.375". The adapter plate shall include provisions for mounting an 8" driver and for mounting the speaker/adapter assembly to recessed backbox Model \_\_\_\_\_ or surface backbox Model \_\_\_\_\_. The adapter shall be finished in black powder epoxy. The grille shall be finished in white powder epoxy and shall mount to the specified backbox using four 8-32 x .375" white screws.



<b>Compatible Components:</b> (order separately)	
Backbox (recessed):	DX198, P68X, P68X-6, P68X-10, P875X, P875X-4, P875X-6
Backbox (surface):	CB84, CB88

Model No.	Description	Dimensions	Color	Mounting Provisions	For Speaker Size
JG-8X	Screw-mount Square Grille	12.375" square	White	4 screws adapter with 4 screws	8"